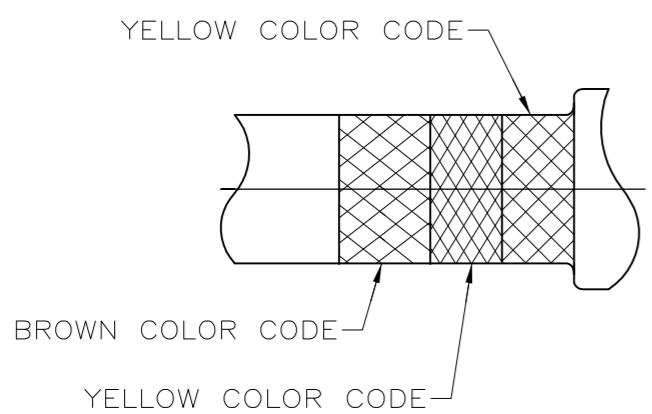
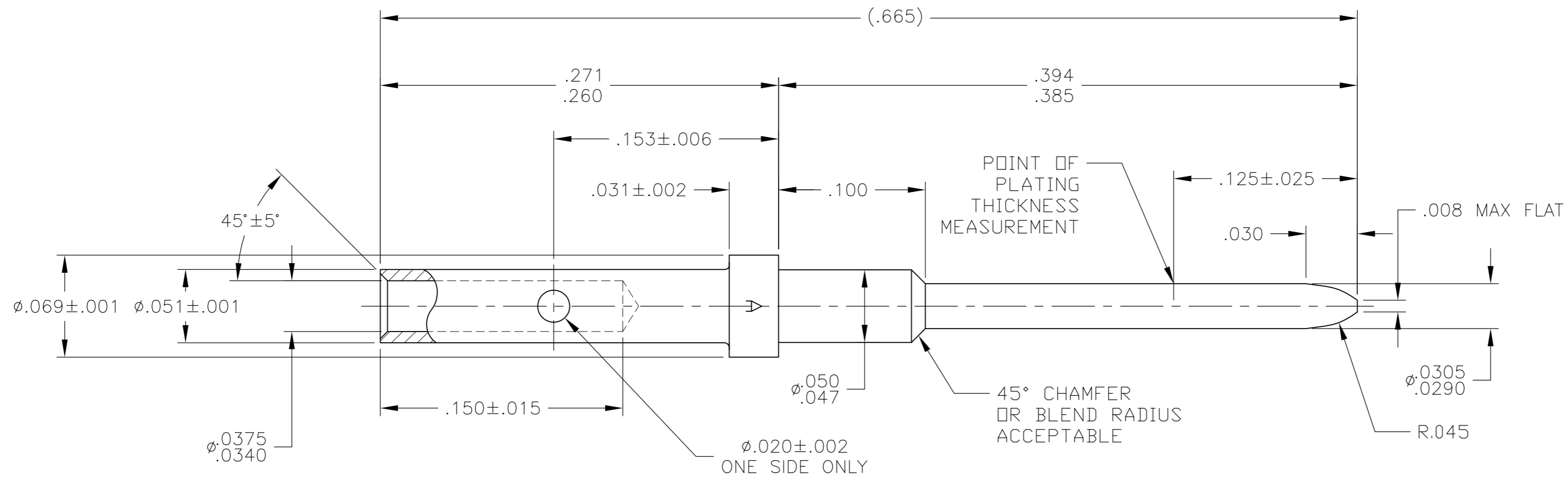


THIS DRAWING IS UNPUBLISHED. RELEASED FOR PUBLICATION  
 © COPYRIGHT - By - ALL RIGHTS RESERVED.

LOC		DIST		REVISIONS			
P	LTR	DESCRIPTION		DATE	DWN	APVD	
	V	REV PER ECO 15-006139		4-22-15	CT	DE	



COLOR CODE DETAIL  
 -4 ONLY  
 (BIN CODE NO. 144)

YES	.000050 GOLD MIN PER ASTM-B-488 OVER NICKEL PER AMS-QQ-N-290	204873-4
NO	.000050 GOLD MIN PER ASTM-B-488 OVER NICKEL PER AMS-QQ-N-290	204873-2
COLOR CODE	FINISH	PART NO.

THIS DRAWING IS A CONTROLLED DOCUMENT.		DWN C.C.THOMAS 22APR2015	TE Connectivity	
DIMENSIONS: INCHES	TOLERANCES UNLESS OTHERWISE SPECIFIED:	CHK D.EABY 4-22-15	NAME CONTACT, PIN, SIZE 22	
	0 PLC ± -	APVD D.EABY 4-22-15	PRODUCT SPEC	
	1 PLC ± -	APPLICATION SPEC	-	
MATERIAL LEADED COPPER	FINISH SEE TABLE	WEIGHT -	SIZE A2	CAGE CODE 00779
		CUSTOMER DRAWING	DRAWING NO C=204873	RESTRICTED TO -
		SCALE 15:1	SHEET 1 of 1	REV V