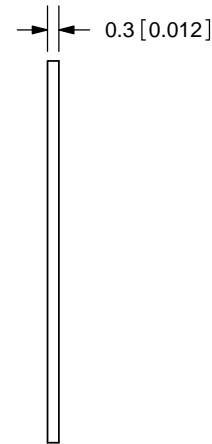
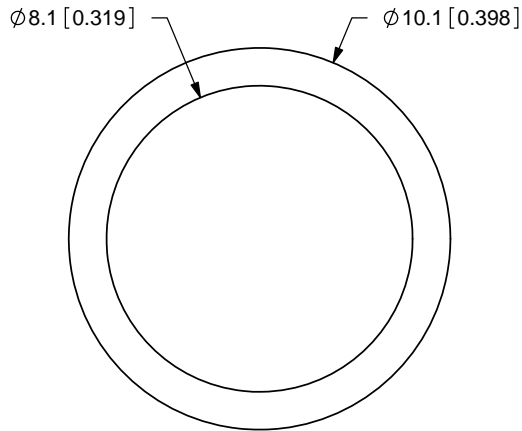
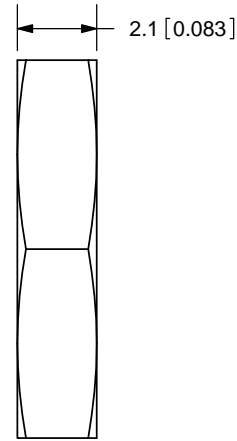
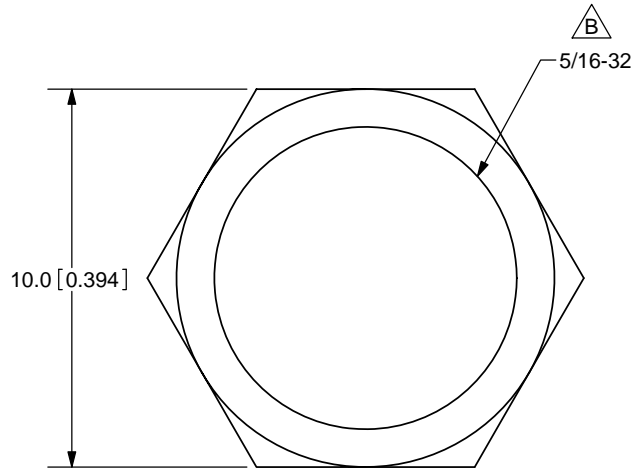


REV.	DESCRIPTION	DATE
A	NEW DRAWING	11/11/2009
B	CORRECTED THREAD SIZE	9/11/2015



TOLERANCE:  
±0.1mm UNLESS OTHERWISE  
SPECIFIED



20050 SW 112th Ave.  
Tualatin, OR 97062  
Phone: 503-612-2300  
800-275-4899  
Fax: 503-612-2383  
Website: www.cui.com

TITLE: 5/16-32 NUT		REV: B
PART NO. PJ-005X-HDW		UNITS: MM [INCHES]
DRAWN BY: RDS	APPROVED BY:	SCALE: 5:1

PC FILE NAME:  
PJ-005X-HDW

COPYRIGHT 2009  
BY CUI INC.

	MATERIAL	PLATING	COLOR
NUT	Brass	Nickel	Silver
WASHER	Steel	Nickel	Silver