

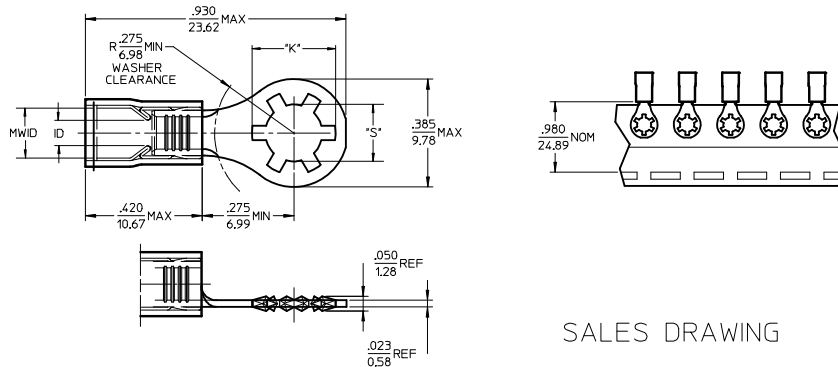
LTRS.	REVISIONS		
ORIGINATOR	CHECKER	ENGR APP	MATL APP
-	RELEASED 6EST-14463-BA ARCHIVED DATE: AE00-E-1505652-025		
DEVITO	WILSON	PRICE	

10	9	8	7	6	5	4	3	2	19077	
MATERIAL NO.	ENG. NO.	MATERIAL NO. TAPE MOUNTED	ENG. NO. TAPE MOUNTED	STUD SIZE	"S" +.005/.127	"K" REF DIA	WIRE RANGE AWG / MM	INSULATION COLOR	I.D. MIN	MWID
190770009	SRA-S-829-06	190770010	SRA-S-829-06T	6	.146 (3.71)	.236 (5.99)	22-18/1.25-1.3	RED	.062/1.57	.138/3.51
190770011	SRA-S-829-08	190770012	SRA-S-829-08T	8	.173 (4.39)	.263 (6.68)				
190770013	SRA-S-829-10	190770014	SRA-S-829-10T	10	.198 (5.03)	.288 (7.32)				
190770021	SRB-S-829-06	190770022	SRB-S-829-06T	6	.146 (3.71)	.236 (5.99)	16-14/1.0-2.6	BLUE	.086/2.18	.169/4.29
190770023	SRB-S-829-08	190770024	SRB-S-829-08T	8	.173 (4.39)	.263 (6.68)				
190770025	SRB-S-829-10	190770026	SRB-S-829-10T	10	.198 (5.03)	.288 (7.32)				

FORD PART NUMBER	MOLEX PART NUMBER
6EST-14463-BA	19077-0011

NOTES:

APPROVED FOR USE ONLY IN 'BLACK BOX' APPLICATIONS,
WHICH ARE TO PASS SYSTEM LEVEL VALIDATION TESTING.
CONNECTOR SDS EL-0173 NOT MET TERMINAL RETENTION FORCE
AND TESTING SPECIFIC TO EVALUATE TERMINAL MUST BE
PERFORMED AT SYSTEM-LEVEL.



SALES DRAWING

NOTES:

1. MATERIAL: STEEL.
PLATING: ELECTROPLATE TIN.
2. FERRULE: BRASS ELECTROPLATE TIN.
PLATING: ELECTROPLATE TIN.
3. INSULATION: NYLON.
4. MWID-MAXIMUM WIRE INSULATION DIA.
5. ALL DIMENSIONS IN INCHES (MM).

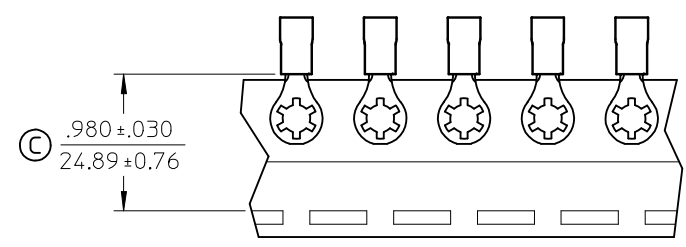
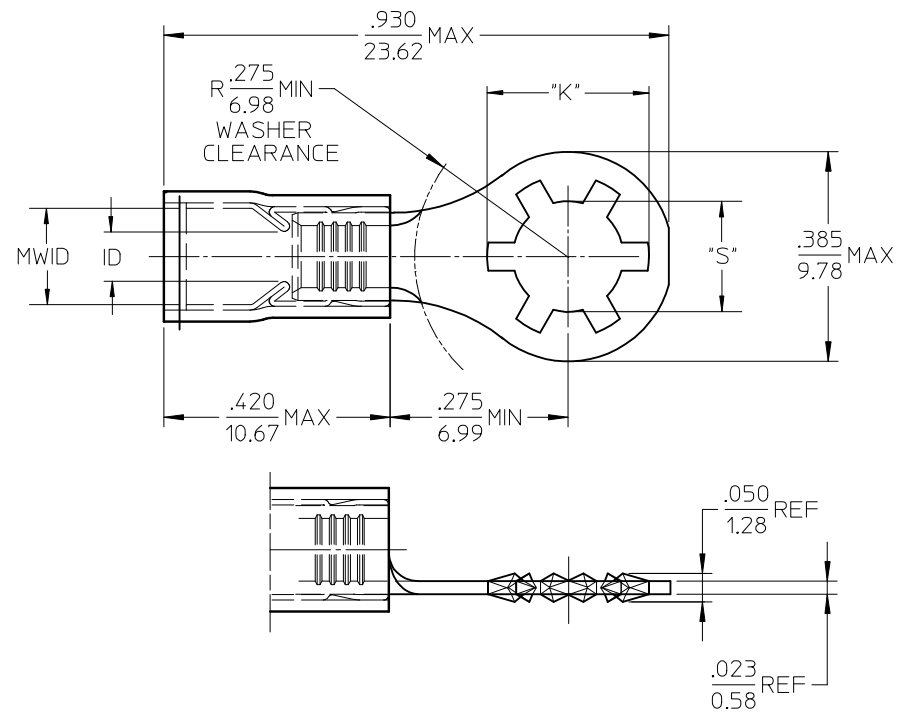
QUALITY SYMBOLS	GENERAL TOLERANCES (UNLESS SPECIFIED)	SCALE	DESIGN UNITS	THIRD ANGLE PROJECTION	REVISE ON CAD ONLY
	mm INCH	1:1	INCH	☉	TERMINAL
▽ 0	4 PLACES ± .005	IN/MM	DRIVEN BY	DATE	
	3 PLACES ± .005		MDEVITO	01/16/04	
▽ 0	2 PLACES ± 0.13 ± .01		CHECKED BY	DATE	
	1 PLACE ± 0.25 ± .01		WILSON	01/16/04	
	ANGULAR ± 1/2°		APPROVED BY	DATE	
	DRAFT WHERE APPLICABLE MUST REMAIN WITHIN DIMENSIONS		WILSON	01/16/04	
			MATERIAL NO.	DOCUMENT NO.	SHEET NO.
				SEE CHART 6EST-14463-BA	1 OF 1
			THIS DRAWING CONTAINS INFORMATION THAT IS PROPRIETARY TO MOLEX INCORPORATED AND SHOULD NOT BE USED WITHOUT WRITTEN PERMISSION		

DL FROM: B
REV. B1 2000/08/01

REFERENCE	---		
PART MUST COMPLY WITH MATERIAL SPECIFICATION WSS-M99P9999-A1 TO HELP SAFEGUARD HEALTH, SAFETY AND THE ENVIRONMENT.			
DRAFTED IN ACCORDANCE WITH FAO ENGINEERING DRAFTING STANDARD CURRENT AT INITIAL RELEASE		3RD ANGLE PROJ DIMENSIONS IN MILLIMETERS	
CAD TYPE	CAD LOC.	CAD FILE	IS MASTER
OPER. NO.	UNIT	DRAWING	6EST-14463-BA
DESIGN MDEVITO	DETAIL	TITLE	TERMINAL
CHECKED BBWILSON	SAFETY		
SCALE	DATE	DIVISION	
1:1	2004/01/28	PLANT	

DRW SIZE A 0/0

MATERIAL NO.	ENG. NO.	MATERIAL NO. TAPE MOUNTED	ENG. NO. TAPE MOUNTED	STUD SIZE	"S" ±.005/.127	"K" REF DIA	WIRE RANGE AWG / MM ²	INSULATION COLOR	I.D. MIN	MWID
190770009	SRA-S-829-06	190770010	SRA-S-829-06T	6	.146 (3.71)	.236 (5.99)	22-18/1.25-1.3	RED	.062/1.57	.138/3.51
190770011	SRA-S-829-08	190770012	SRA-S-829-08T	8	.173 (4.39)	.263 (6.68)				
190770013	SRA-S-829-10	190770014	SRA-S-829-10T	10	.198 (5.03)	.288 (7.32)				
190770021	SRB-S-829-06	190770022	SRB-S-829-06T	6	.146 (3.71)	.236 (5.99)	16-14/1.0-2.6	BLUE	.086/2.18	.169/4.29
190770023	SRB-S-829-08	190770024	SRB-S-829-08T	8	.173 (4.39)	.263 (6.68)				
190770025	SRB-S-829-10	190770026	SRB-S-829-10T	10	.198 (5.03)	.288 (7.32)				



SALES DRAWING

- NOTES:
- MATERIAL: STEEL.
PLATING: ELECTROPLATE TIN.
 - FERRULE: BRASS ELECTROPLATE TIN.
PLATING: ELECTROPLATE TIN.
 - INSULATION: NYLON.
 - MWID=MAXIMUM WIRE INSULATION DIA.
 - ALL DIMENSIONS IN INCHES (MM).
 - ALL COMPONENTS ARE ROHS COMPLIANT. ©

MODIFY TOL. EC NO: ETC2006-0425 IDRMN: CYORK 2006/05/08 CHKD: JMACNEIL 2006/05/11 APPR: RDEROSS 2006/05/11	QUALITY SYMBOLS	GENERAL TOLERANCES (UNLESS SPECIFIED)	SCALE 1:1	DESIGN UNITS INCH	THIRD ANGLE PROJECTION	REVISE ON CAD ONLY
	DESCRIPTION -0 -0	4 PLACES ± --- ± --- 3 PLACES ± --- ± .005 2 PLACES ± 0.13 ± .01 1 PLACE ± 0.25 ± ---	DIMENSION STYLE IN/MM DRAWN BY DMYRICK DATE 03/12/22 CHECKED BY SBEITZEL DATE 03/12/22 APPROVED BY RDEROSS DATE 03/12/22	TITLE		
		ANGULAR ±1/2°	AVIKRIMP STEEL STAR RING TONGUE TERMINALS MOLEX INCORPORATED			
		DRAFT WHERE APPLICABLE MUST REMAIN WITHIN DIMENSIONS	MATERIAL NO. SEE CHART DOCUMENT NO. SD-19077-002 SHEET NO. 1 OF 1			