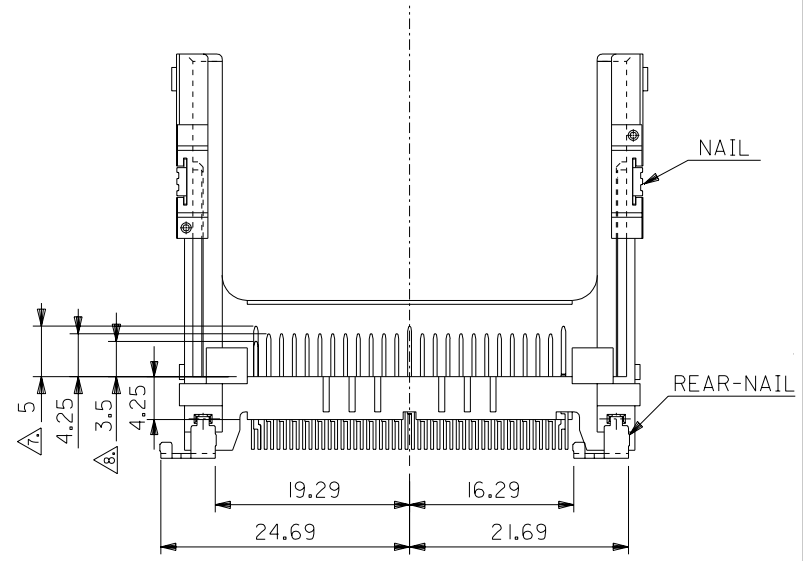
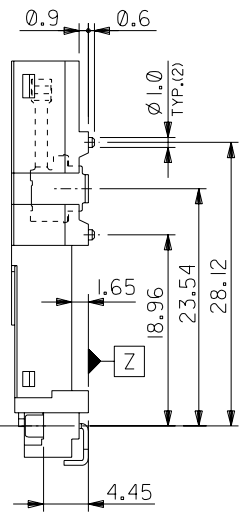
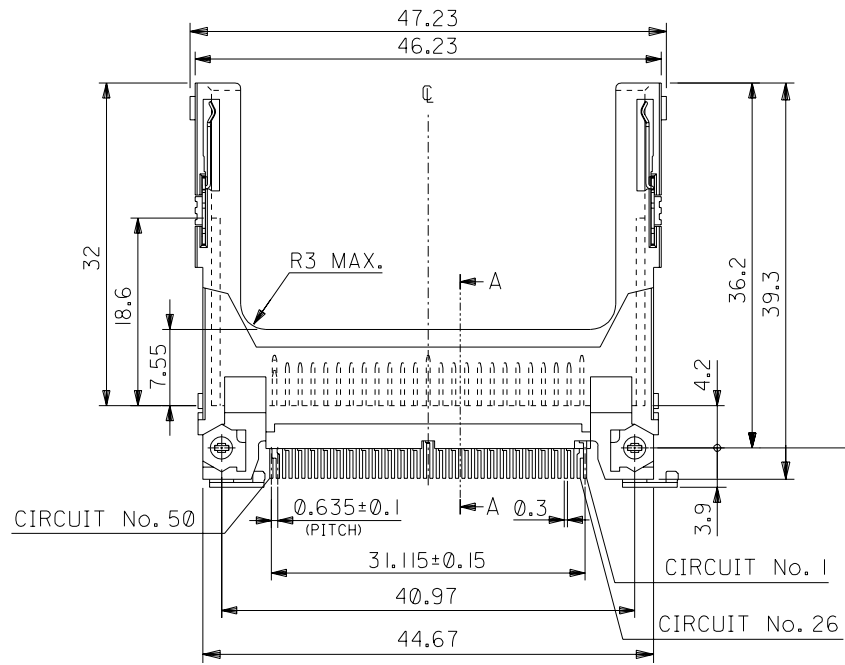
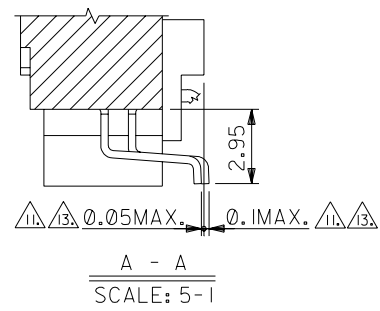
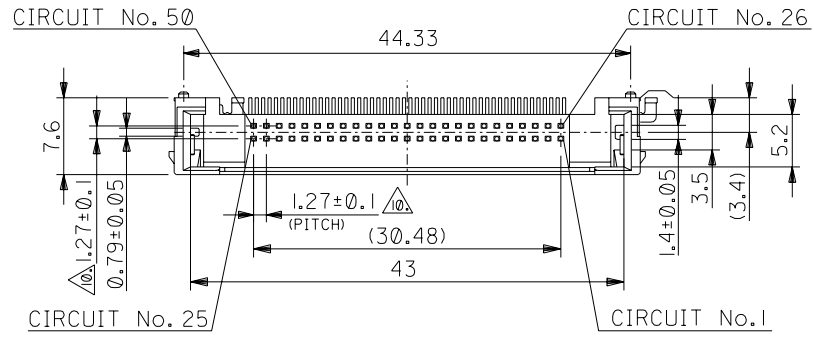


DWG. NO. SD-55358-014



DO NOT SCALE DRAWING

EC NO. DRWN: CHK: APPR:	EC NO. DRWN: CHK: APPR:	EC NO. DRWN: CHK: APPR:	EC NO. DRWN: CHK: APPR:
RELEASED EC NO. J2004-3952 DRWN: M.NABEI '04/04/22 CHK: K.TOJO '04/04/22 APPR: M.SASAO '04/04/22			

DESCRIPTION	MATERIAL 材料	FINISH 仕上り	WIRE RANGE 適用線径範囲	INS. RANGE 被覆外径
SEE NOTES	SEE NOTES	SEE NOTES	#	#

GENERAL TOLERANCES: (UNLESS SPECIFIED) 一般公差	
10 UNDER 未満	±0.2
10 OVER 30 UNDER 以上 未満	±0.25
30 OVER 以上	±0.3
ANGLE 角度	±3°

55358-5028	55358-5029	55358-50**
HARD TRAY PACKAGE		MATERIAL No.
		MODEL No.
SCALE 2 - 1	DESIGN UNITS <input checked="" type="checkbox"/> mm <input type="checkbox"/> INCH	DIMENSIONS: <input type="checkbox"/> mm <input type="checkbox"/> INCH <input checked="" type="checkbox"/> mm ONLY
THIRD ANGLE PROJECTION	SHT REV	
DRAWN BY & DATE M.NABEI '04/04/22	TITLE: CF CARD CONN. 50P HEADER ASS'Y (TYPE I/II, NORMAL) -LEAD FREE-	
CHECKED BY & DATE K.TOJO '04/04/22	MATERIAL NO. DRAWING NO.	
APPROVED BY & DATE M. Sasao '04/04/22	SEE CHART	SD-55358-014
CAD FILENAME SD-55358-014.S01		SHEET NO. 1 OF 2
THIS DRAWING CONTAINS INFORMATION THAT IS PROPRIETARY TO MOLEX INCORPORATED AND SHOULD NOT BE USED WITHOUT WRITTEN PERMISSION.		
SIZE B		

SD-55358-014

F

D

V

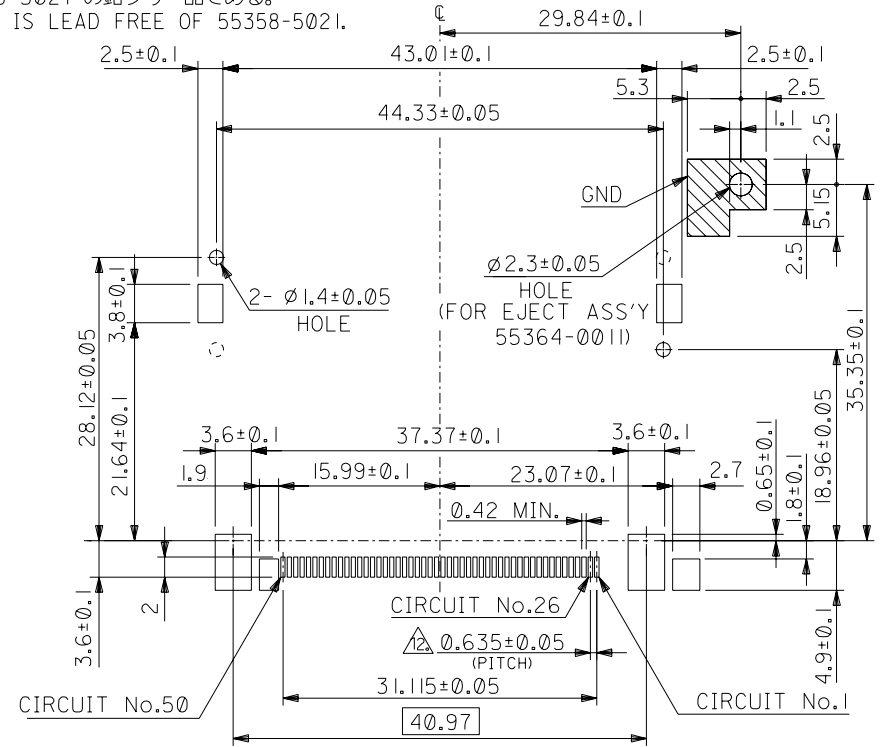
C

B

DO NOT SCALE DRAWING

- 8 7 6 5 4 3 2 1
- 注) NOTES
1. 材質 MATERIAL
 ハウジング: ガラス入りLCP UL94V-0
 HOUSING: LIQUID CRYSTAL POLYMER G.F. UL94V-0
 ピン: リン青銅
 PIN: PHOSPHOR BRONZE
 ネール: リン青銅 (t0.3)
 NAIL: PHOSPHOR BRONZE (t0.3)
 リヤネール: リン青銅 (t0.48)
 REAR-NAIL: PHOSPHOR BRONZE (t0.48)
2. メッキ仕様 PLATING
 ピン PIN 接点部 : パラジウムニッケル下地、金メッキ
 CONTACT AREA: GOLD OVER PALLADIUM-NICKEL
 半田付け部: 錫メッキ
 SOLDER TAIL AREA: TIN
 下地メッキ: ニッケルメッキ
 UNDERPLATING: NICKEL OVER ALL
 ネール NAIL 接点部 : 金メッキ
 CONTACT AREA: GOLD
 半田付け部: 錫メッキ
 SOLDER TAIL AREA: TIN
 下地メッキ: ニッケルメッキ
 UNDERPLATING: NICKEL OVER ALL
 リヤネール REAR-NAIL 錫メッキ
 TIN
 下地メッキ: ニッケルメッキ
 UNDERPLATING: NICKEL OVER ALL
3. 推奨基板厚 : t=0.8 MIN.
 RECOMMENDED P.C.B. THICKNESS: t=0.8 MIN.
4. 適合カード厚 : 3.3±0.1 (TYPE I) AND 5 MAX. (TYPE II)
 RECOMMENDED CARD THICKNESS: 3.3±0.1 (TYPE I) AND 5 MAX. (TYPE II)
5. 適合カード幅 : 42.8±0.1
 RECOMMENDED CARD WIDTH: 42.8±0.1
6. ハウジング色 : 黒
 HOUSING COLOR: BLACK
7. 寸法適用極 : 1,13,38,50
 THIS DIMENSION APPLIES TO CIRCUIT NUMBERS 1,13,38 AND 50.
8. 寸法適用極 : 25,26
 THIS DIMENSION APPLIES TO CIRCUIT NUMBERS 25 AND 26.
9. ピンの倒れは、ピン根元を基準に全方向へ 0.1 MAX.とする。
 PIN TIP LEAN TOWARD ANY DIRECTION NOT TO EXCEED 0.1 WHEN MEASURED FROM PIN BASE.
10. ピン根元に適用する。
 THIS DIMENSION TO BE MEASURED AT PIN BASE.

11. ソルダーテールは、Z面を基準とし上へ 0.05 下へ 0.1の範囲にあり、且つソルダーテールの平坦度は、0.1 MAX.とし、テール先端にて測定する。
 SOLDERTAILS TO BE WITHIN 0.05 UPWARD AND 0.1 DOWNWARD FROM Z-DATUM PLACE, AND COPLANARITY OF SOLDERTAILS TO BE WITHIN 0.1. MEASUREMENT POINT IS SOLDERTAILS TIP.
12. 公差非累積 NON-CUMULATIVE
13. テールとネール、リヤネールを併せた平坦度は、0.1 MAX.とする。
 TOTAL COPLANARITY OF SOLDER TAILS, NAILS AND REAR-NAILS TO BE 0.1 MAX.
14. 本製品は 55358-5021 の鉛フリー品である。
 THIS PRODUCT IS LEAD FREE OF 55358-5021.



基板推奨寸法
 RECOMMENDED P.C.B. LAYOUT

EC NO. DRAWN: CH'K: APPR:		EC NO. DRAWN: CH'K: APPR:		EC NO. DRAWN: CH'K: APPR:		EC NO. DRAWN: CH'K: APPR:		EC NO. DRAWN: CH'K: APPR:		EC NO. DRAWN: CH'K: APPR:		0		REV													
MATERIAL 材料												GENERAL TOLERANCES: (UNLESS SPECIFIED) 一般公差		55358-50**		MODEL NO.		DIMENSIONS: <input type="checkbox"/> mm <input type="checkbox"/> INCH <input checked="" type="checkbox"/> mm ONLY		SHT		REV					
SEE NOTES												10 UNDER 未満 ±0.2		SCALE 2 - 1 <input checked="" type="checkbox"/> mm <input type="checkbox"/> INCH		DESIGN UNITS <input checked="" type="checkbox"/> mm <input type="checkbox"/> INCH		THIRD ANGLE PROJECTION		M.NABEI '04/04/22		TITLE: CF CARD CONN. 50P HEADER ASS'Y (TYPE I/II, NORMAL) -LEAD FREE-					
SEE NOTES												10 OVER 30 UNDER 未満 ±0.25		DRAWN BY & DATE		M.NABEI '04/04/22		CHECKED BY & DATE		K.TOJO '04/04/22		APPROVED BY & DATE					
WIRE RANGE 適用電線範囲												30 OVER 以上 ±0.3		ANGLE 角度		±3°		CAD FILENAME		SD-55358-014.S02		MATERIAL NO.		DRAWING NO.		SHEET NO.	
INS. RANGE 被覆外径																											
												THIS DRAWING CONTAINS INFORMATION THAT IS PROPRIETARY TO MOLEX INCORPORATED AND SHOULD NOT BE USED WITHOUT WRITTEN PERMISSION.												SIZE B			