

NOTES:

1.MATERIALS:

1-1.HOUSING: SEE TABLE ,GLASS FIBER FILLED UL94V-0, COLOR: SEE TABLE.

1-2.CONTACT: SEE TABLE

2.PLATING:

2-1.CONTACT AREA: GOLD, THICKNESS : SEE TABLE .

2-2.SOLDER TAIL: 100 MICROINCH MIN. TIN PLATING.

2-3.UNDER PLATING: NICKEL PLATING OVERALL.

3.DATE CODE: YY MM DD.

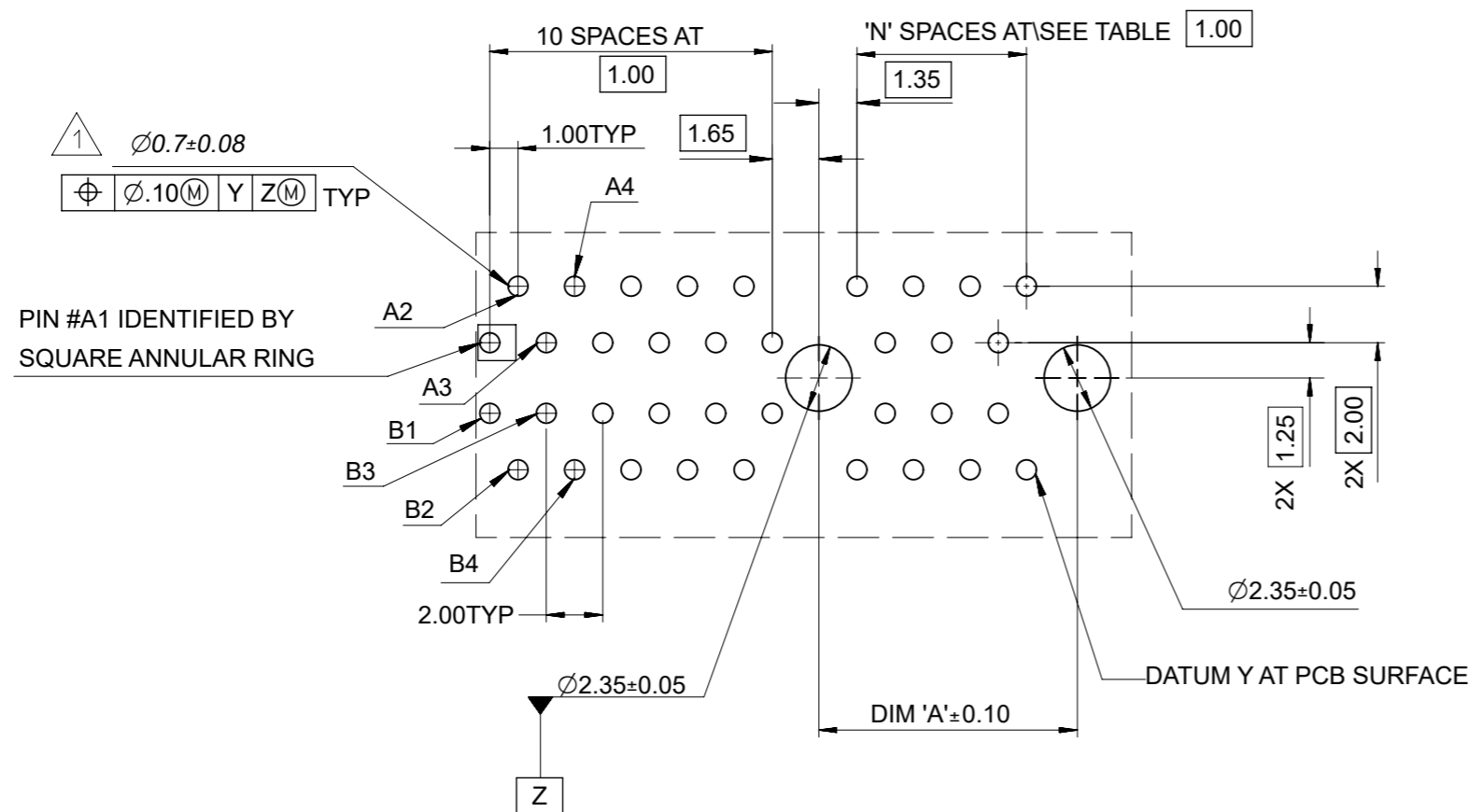
4.PRODUCT SPECIFICATION REFER TO PS-87715-200.

5.TEST SUMMARY:REFER TO TS-87715-207.

CONNECTOR LINK WIDTH	# POS REF	N	DIM "A"	DIM "B"	DIM "C"
X1	36	6	7.65	25.00	9.15
X16	164	70	71.65	89.00	73.15

PCB THK (REF)	DIM "D"
1.58	2.54
2.36	3.00

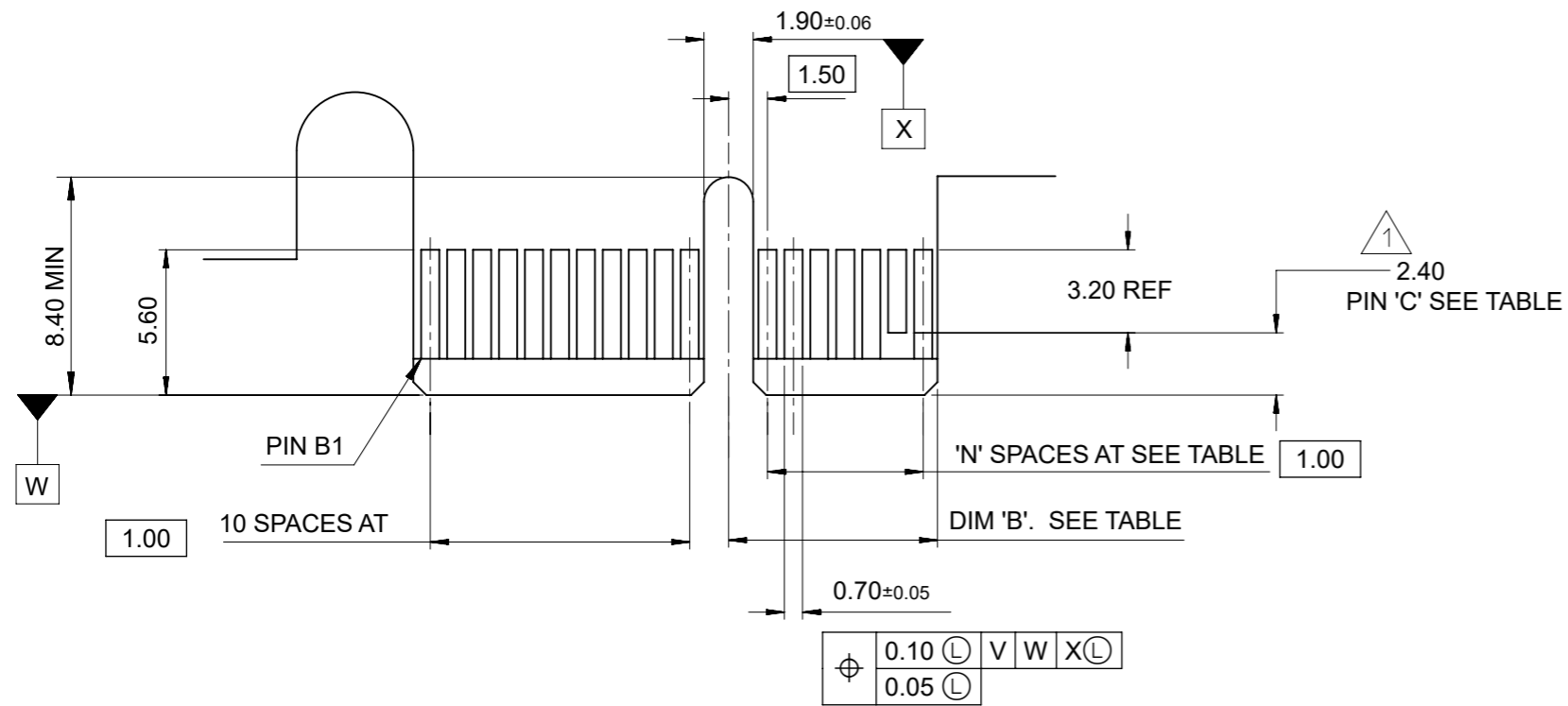
THIS DRAWING CONTAINS INFORMATION THAT IS PROPRIETARY TO MOLEX ELECTRONIC TECHNOLOGIES, LLC AND SHOULD NOT BE USED WITHOUT WRITTEN PERMISSION									
DIMENSION UNITS		SCALE		CURRENT REV DESC: OBSOLETE PART NUMBERS AS PER PCN 508518				molex	
mm		NTS							
GENERAL TOLERANCES (UNLESS SPECIFIED)									
		MM		INCH					
4 PLACES		±		±		EC NO: 671087			
3 PLACES		±		±		DRWN: RPRABHUM 2021/06/07			
2 PLACES		± 0.25		±		CHK'D: GGA 2021/08/06			
1 PLACE		± 0.25		±		APPR: GGA 2021/08/06			
0 PLACES		±		±		INITIAL REVISION:			
ANGULAR TOL		± 3.0°				DRWN: DAVID HU 2007/05/14			
						APPR: JENNY CHEN 2007/05/14			
DRAFT WHERE APPLICABLE MUST REMAIN WITHIN DIMENSIONS		THIRD ANGLE PROJECTION		DRAWING		SERIES		MATERIAL NUMBER	
		A3-SIZE		87715		SEE TABLE		GENERAL MARKET	
DOCUMENT STATUS		P1		RELEASE DATE		2021/08/06		10:26:02	



△ THE HORIZONTAL AXIS FOR THE HOLE PATTERN IS ESTABLISHED BY A LINE THROUGH THE CENTER OF THE TWO $\varnothing 2.35$ HOLES. THE VERTICAL AXIS IS 90° TO THE HORIZONTAL AXIS. THROUGH THE CENTER OF DATUM Z

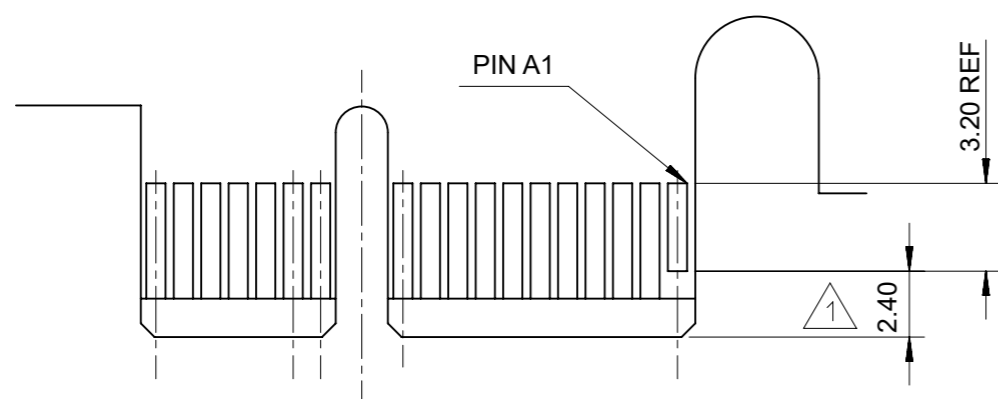
CONNECTOR LINK WIDTH	# POS REF	N	DIM 'A'
X1	36	6	9.15
X16	164	70	73.15

THIS DRAWING CONTAINS INFORMATION THAT IS PROPRIETARY TO MOLEX ELECTRONIC TECHNOLOGIES, LLC AND SHOULD NOT BE USED WITHOUT WRITTEN PERMISSION									
DIMENSION UNITS		SCALE		CURRENT REV DESC: OBSOLETE PART NUMBERS AS PER PCN 508518					
mm		NTS							
GENERAL TOLERANCES (UNLESS SPECIFIED)				EC NO: 671087		2021/06/07		PCI EXPRESS	
				DRWN: RPRABHUM		2021/08/06		EDGE CARD CONNECTOR (LEAD FREE VERSION)	
				CHK'D: GGA		2021/08/06		PRODUCT CUSTOMER DRAWING	
				APPR: GGA		2021/08/06			
				INITIAL REVISION:				DOCUMENT NUMBER	
				DRWN: DAVID HU		2007/05/14		SD-87715-901	
				APPR: JENNY CHEN		2007/05/14		PSD 001 G	
ANGULAR TOL ± 3.0°				DRAFT WHERE APPLICABLE MUST REMAIN WITHIN DIMENSIONS		THIRD ANGLE PROJECTION		DRAWING	
						A3-SIZE		SERIES	
						87715		MATERIAL NUMBER	
						SEE TABLE		CUSTOMER	
						GENERAL MARKET		SHEET NUMBER	
						2 OF 4			



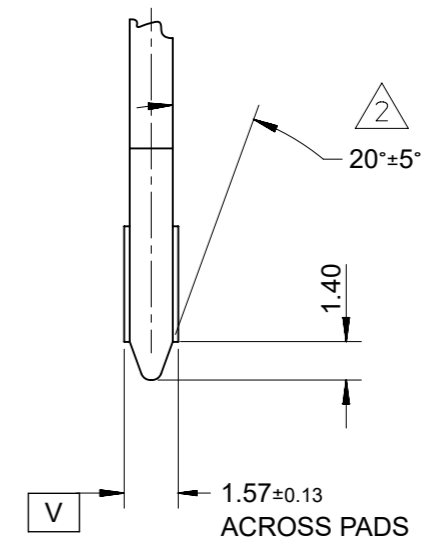
← I/O PANEL DIRECTION

PRIMARY (COMPONENT) SIDE



I/O PANEL DIRECTION →

SECONDARY (SOLDER) SIDE



1 NO TIE BAR PERMITTED FROM CARD EDGE TO LEADING EDGE OF PAD FOR PINS A1 AND "C".

2 CHAMFER EDGES MUST BE FREE OF CUTTING BURRS.

3 TOLERANCE: .XX±.13

CONNECTOR LINK WIDTH	# POS REF	N	DIM 'B'	'C' 1
X1	36	6	8.15	B17
X16	164	70	72.15	B17, B31 B48, B81

THIS DRAWING CONTAINS INFORMATION THAT IS PROPRIETARY TO MOLEX ELECTRONIC TECHNOLOGIES, LLC AND SHOULD NOT BE USED WITHOUT WRITTEN PERMISSION									
DIMENSION UNITS mm		SCALE NTS		CURRENT REV DESC: OBSOLETE PART NUMBERS AS PER PCN 508518				molex	
GENERAL TOLERANCES (UNLESS SPECIFIED)				EC NO: 671087					
				DRWN: RPRABHUM 2021/06/07				PCI EXPRESS EDGE CARD CONNECTOR (LEAD FREE VERSION)	
4 PLACES ±				CHK'D: GGA 2021/08/06				PRODUCT CUSTOMER DRAWING	
3 PLACES ±				APPR: GGA 2021/08/06				DOCUMENT NUMBER	
2 PLACES ± 0.25				INITIAL REVISION:				SD-87715-901	
1 PLACE ± 0.25				DRWN: DAVID HU 2007/05/14				DOC TYPE	
0 PLACES ±				APPR: JENNY CHEN 2007/05/14				PSD	
ANGULAR TOL ± 3.0°				THIRD ANGLE PROJECTION				DOC PART	
DRAFT WHERE APPLICABLE MUST REMAIN WITHIN DIMENSIONS				DRAWING				REVISION	
				A3-SIZE				001	
				SERIES				G	
				MATERIAL NUMBER				SHEET NUMBER	
				87715				3 OF 4	
				CUSTOMER					
				SEE TABLE				GENERAL MARKET	

MOLEX P/N	CIRCUIT SIZE	HOUSING MATERIAL	HOUSING COLOR	TERMINAL MATERIAL	CONTACT PLATING	SOLDER TAIL "D" LENGTH	PEG 1	PEG 2	DESCRIPTION	PACKAGING
87715-9002	36	NYLON46	BLACK	PHOSPHOR BRONZE	15 MICROINCH	2.54	WITH	WITH	TOOLED	TRAY
87715-9005					15 MICROINCH	3.00				
87715-9006					30 MICROINCH	2.54				

MOLEX P/N	CIRCUIT SIZE	HOUSING MATERIAL	HOUSING COLOR	TERMINAL MATERIAL	CONTACT PLATING	SOLDER TAIL "D" LENGTH	PEG 1	PEG 2	DESCRIPTION	PACKAGING
87715-9302	164	NYLON46	BLACK	PHOSPHOR BRONZE	15 MICROINCH	2.54	WITH	WITH	TOOLED	TRAY
87715-9305					15 MICROINCH	3.00				
87715-9306					30 MICROINCH	2.54				

THIS DRAWING CONTAINS INFORMATION THAT IS PROPRIETARY TO MOLEX ELECTRONIC TECHNOLOGIES, LLC AND SHOULD NOT BE USED WITHOUT WRITTEN PERMISSION											
DIMENSION UNITS		SCALE		CURRENT REV DESC: OBSOLETE PART NUMBERS AS PER PCN 508518						molex	
mm		NTS									
GENERAL TOLERANCES (UNLESS SPECIFIED)						EC NO: 671087		PCI EXPRESS		EDGE CARD CONNECTOR (LEAD FREE VERSION)	
						DRWN: RPRABHUM		2021/06/07			
						CHK'D: GGA		2021/08/06			
						APPR: GGA		2021/08/06		PRODUCT CUSTOMER DRAWING	
						INITIAL REVISION:				DOCUMENT NUMBER	
						DRWN: DAVID HU		2007/05/14		SD-87715-901	
						APPR: JENNY CHEN		2007/05/14		DOC TYPE	
						ANGULAR TOL ± 3.0°				001	
						DRAFT WHERE APPLICABLE MUST REMAIN WITHIN DIMENSIONS		THIRD ANGLE PROJECTION		REVISION	
								DRAWING		G	
								SERIES		SHEET NUMBER	
								A3-SIZE		4 OF 4	
								MATERIAL NUMBER		CUSTOMER	
								87715		GENERAL MARKET	

DOCUMENT STATUS	P1	RELEASE DATE	2021/08/06	10:26:02
-----------------	----	--------------	------------	----------