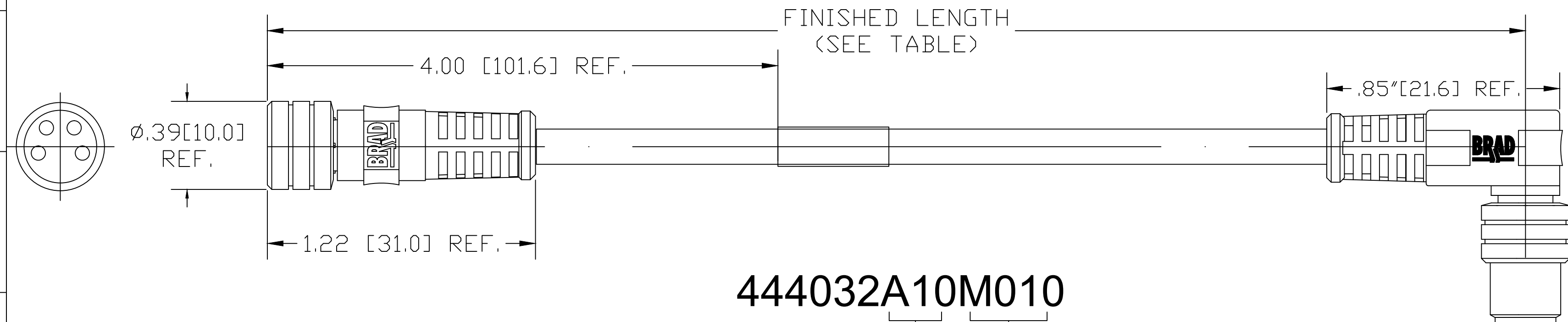
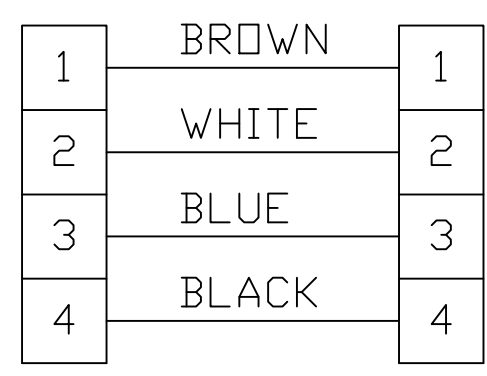


| | | | | | | | | | | | | |
|-----------------|----|-----------------|----|-----------------------------------|---|---|---|---|---|---|---|---|
| 13 | 12 | 11 | 10 | 9 | 8 | 7 | 6 | 5 | 4 | 3 | 2 | 1 |
| MATERIAL NUMBER | | OLD PART NUMBER | | FINISHED LENGTH | | | | | | | | |
| 120087-0281 | | 444032A10M010 | | 3.28' +2.19" -0 [1.0M +55.6mm -0] | | | | | | | | |



444032A10M010

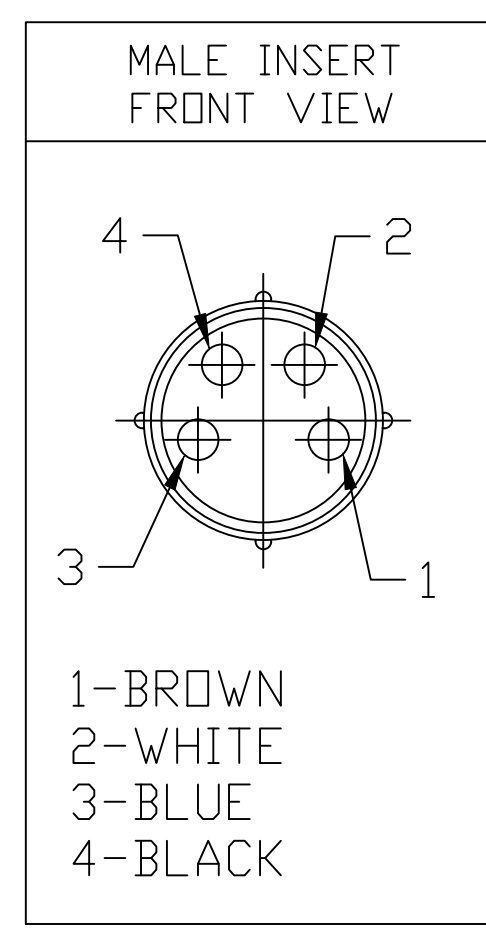
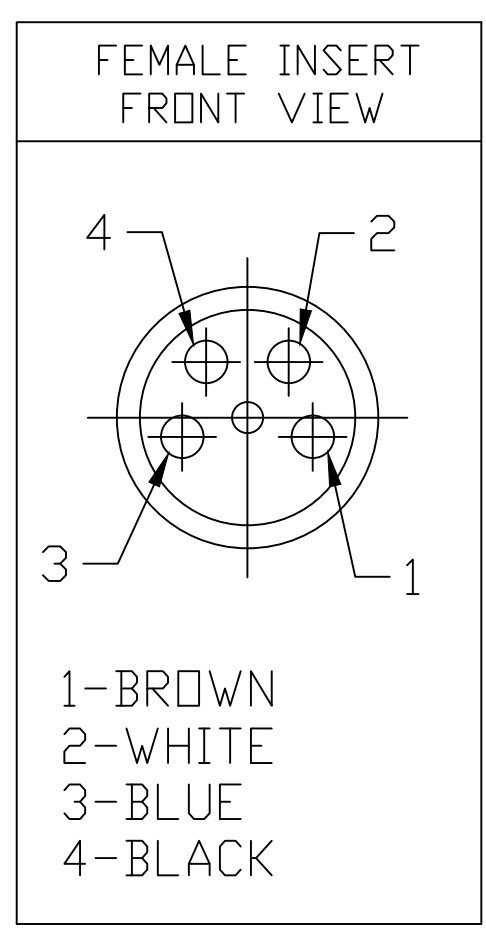


WIRING DIAGRAM

Wire type
24/4 AWG
Yellow PVC

cable length
M020----2 Meter
M100----10 Meter

| | |
|------------------------|--|
| CONTACT: | GOLD/NICKEL OVER COPPER ALLOY |
| INSERT: | PUR, BLACK |
| COUPLING NUT: | NICKEL PLATED BRASS |
| MOLDED BODY: | RITEFLEX, YELLOW |
| VOLTAGE RATING: | 60 VAC/75 VDC |
| AMPERAGE RATING: | 4 AMPS |
| PROTECTION: | IP67 |
| OPERATING TEMPERATURE: | -25°C TO 105°C |
| UL CERTIFICATIONS: | UL LISTED, FILE NO. E152210; CSA CERTIFIED, FILE NO. LR6837 |



| | | | | | |
|--|---|--|---|--|--|
| INITIAL RELEASE EC NO.: IPG2013-1910 DRWN: EBRACKEN 2013/06/20 CH'KD: RSTONE APPR: BWOODMAN2013/08/14 REV A | QUALITY SYMBOL ▽=0 ▽=0 | GENERAL TOLERANCES (UNLESS SPECIFIED) mm INCH 4 PLACES ±--- ±--- 3 PLACES ±--- ±.005 2 PLACES ±0.13 ±.010 1 PLACE ±0.25 ±.020 ANGULAR ±.5° | DIMENSION STYLE MM DRAWN BY DATE EBRACKEN 2013/06/18 CHECKED BY DATE RSTONE APPROVED BY DATE BWOODMAN 2013/08/14 | SCALE --- DESIGN UNITS METRIC THIRD ANGLE PROJECTION | TITLE NANO-CHANGE ASSEMBLY 4 POLE/ FEM STR MA 90D #24-4 YELLOW PVC CABLE |
| | DRAFT WHERE APPLICABLE MUST REMAIN WITHIN DIMENSIONS | | MATERIAL NO. SEE CHART | DOCUMENT NO. SD-120087-047 | SHEET NO. 1 OF 1 |
| | THIS DRAWING CONTAINS INFORMATION THAT IS PROPRIETARY TO MOLEX INCORPORATED AND SHOULD NOT BE USED WITHOUT WRITTEN PERMISSION | | | | |
| | MOLEX INCORPORATED | | | | |