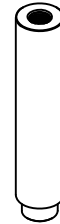
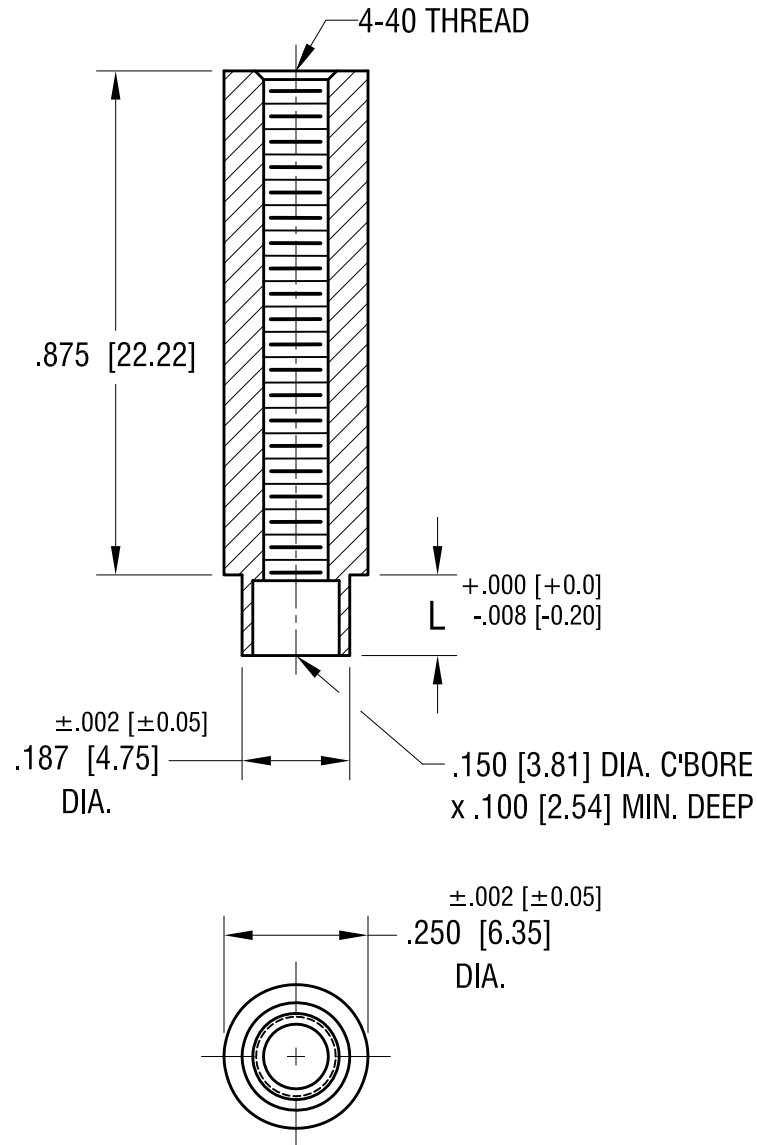


THIS DOCUMENT IS THE PROPERTY OF KEYSTONE ELECTRONICS CORP. AND SHALL NOT BE REPRODUCED, DISTRIBUTED OR USED AS A BASIS FOR MANUFACTURE WITHOUT PRIOR WRITTEN PERMISSION FROM KEYSTONE ELECTRONICS CORP.

ACTUAL SIZE



P/N 1792-2



PART NO.	'L' DIM.
1792-2	.109 [2.77]
1792-3	.140 [3.56]

KEYSTONE ELECTRONICS CORP.
 www.keyelco.com • NEW HYDE PARK NY 11040 • Tel (516)328-7500

PART NAME: SWAGE THREADED STANDOFF

MATERIAL: BRASS

FINISH: DUCTILE NICKEL PLATE

DRN BY: BOONE DATE: 5.13.02

APP'D: LN SCALE: 3X

TOLERANCES INCH [MM] DECIMAL: ±.005 [±0.13] ANGULAR: ± 1° UNLESS OTHERWISE SPECIFIED

CODE: C DWG NO. 1792-

DATE	DESCRIPTION	REV.
11.22.21	CHANGE AS PER ECN 21-165	A