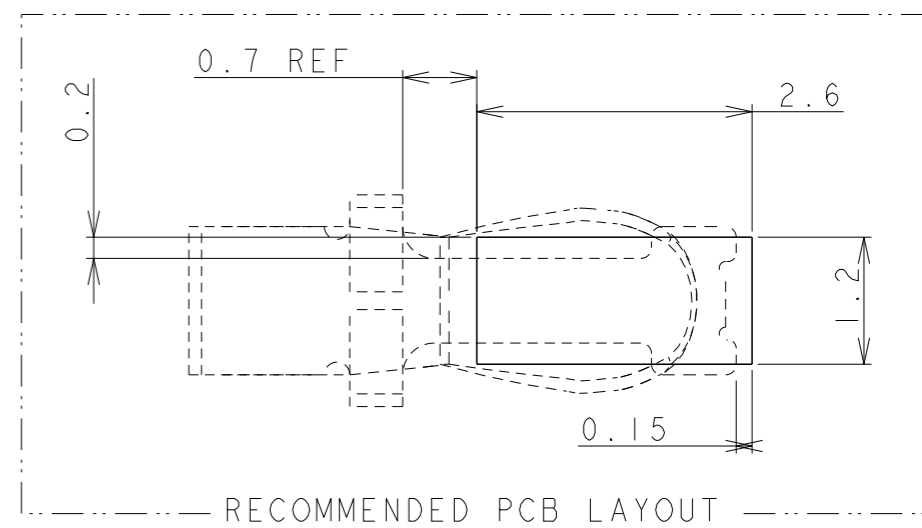
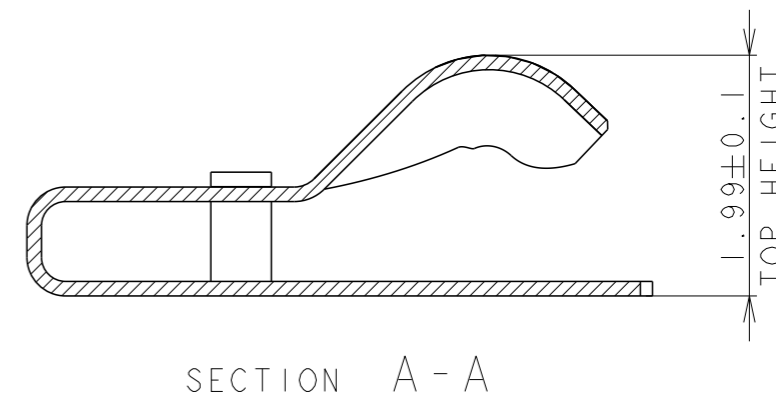
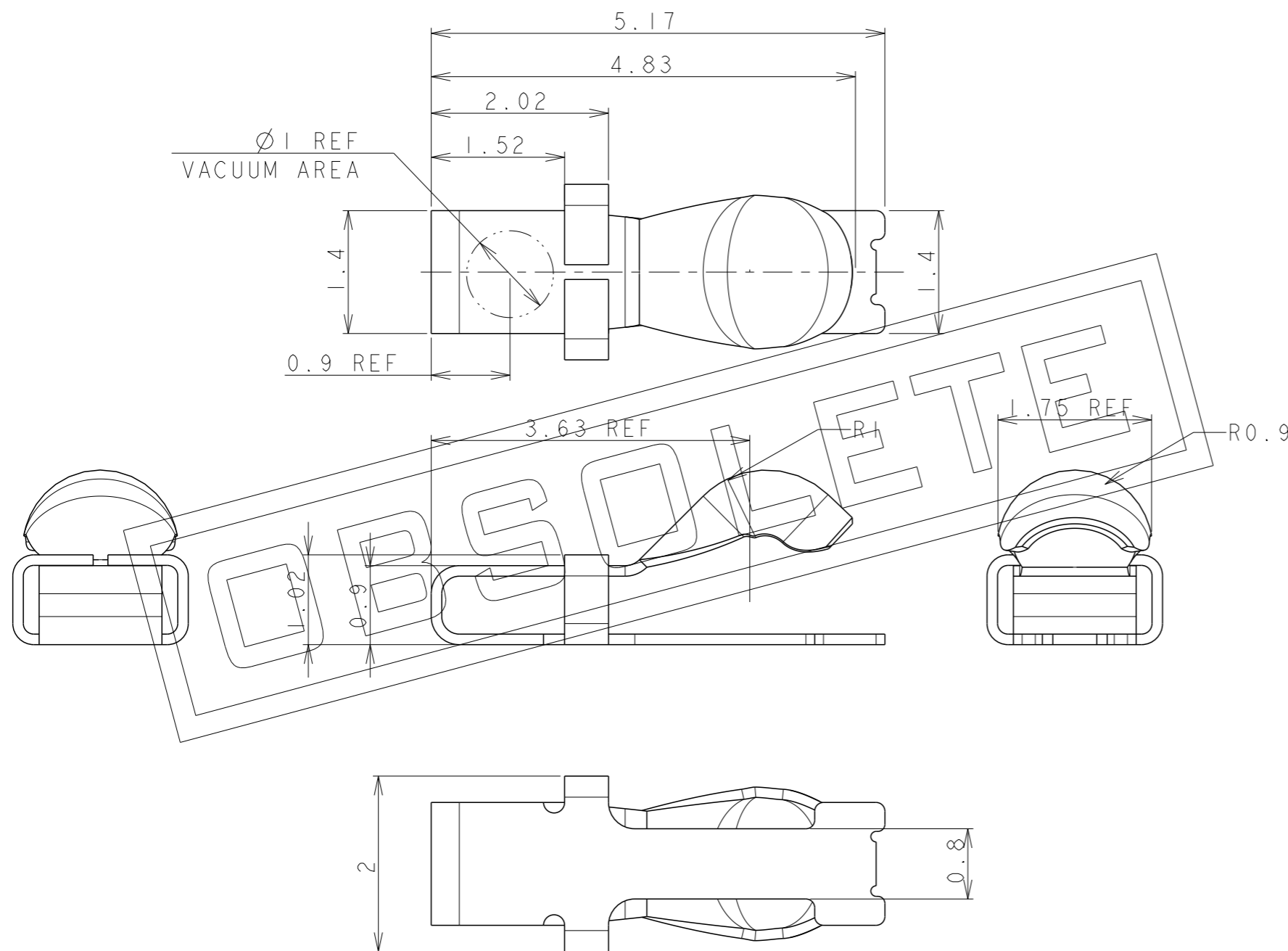


REVISIONS

P	LTR	DESCRIPTION	DATE	DWN	APVD
	B	EOL PER ECR-19-002413	22FEB2019	E.Z	W.H

AS SHOWN : - 1

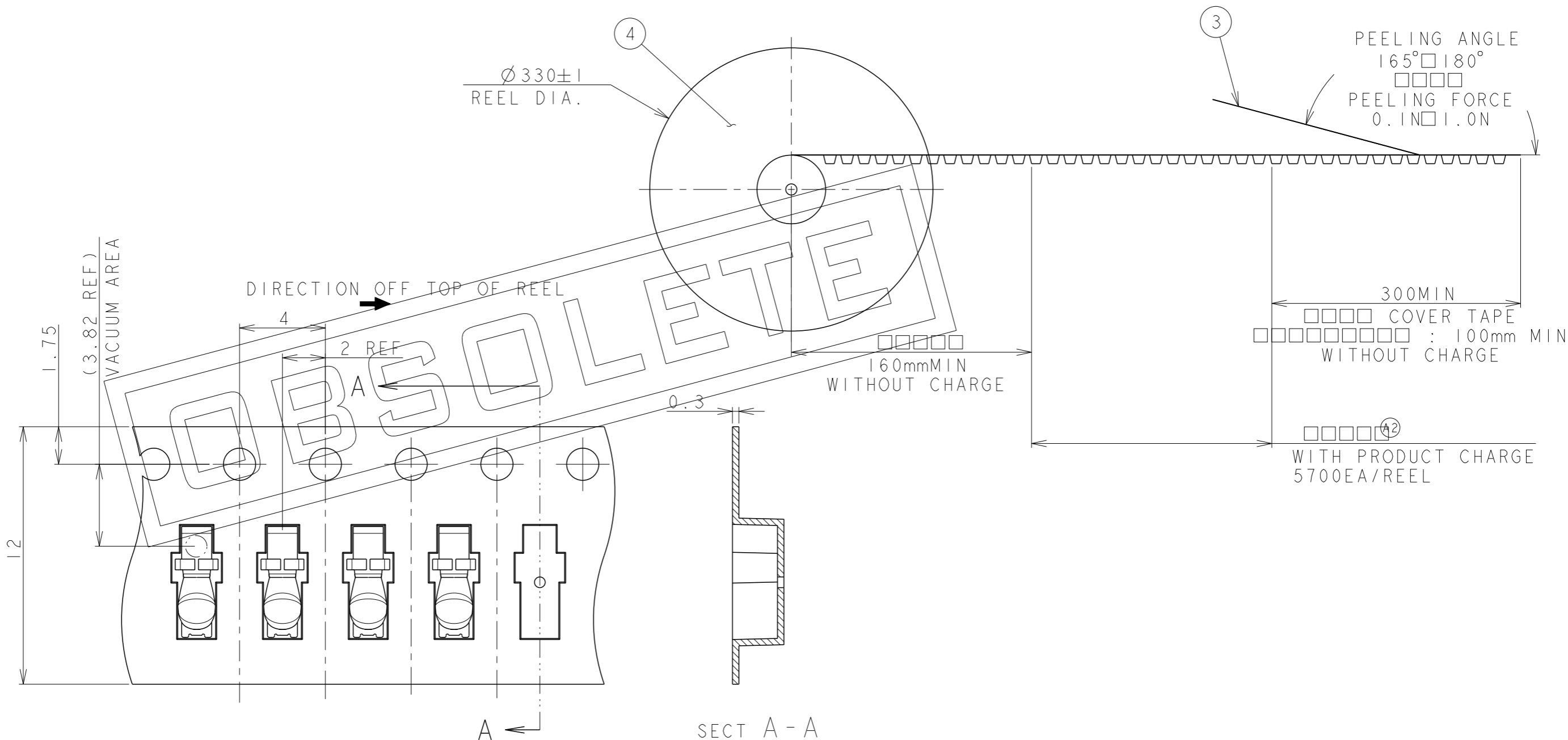


- 1 MATERIAL ELEMENT : COPPER ALLOY, THICKNESS; 0.12mm
- 2 FINISH ELEMENT : SOLDERING TINE SURFACE Au PLATING; 0.0005mmMIN. CONTACT AREA Au PLATING; 0.00025mmMIN. ALL OVER NICKEL PLATING.


THIS DRAWING IS A CONTROLLED DOCUMENT.		DWN C.OHASHI 17JUL2009	<b>STE</b> TE Connectivity		
DIMENSIONS: mm		CHK Y.NAKAZAWA 17JUL2009			
TOLERANCES UNLESS OTHERWISE SPECIFIED: ±0.15		APVD Y.NAKAZAWA 17JUL2009	NAME SHIELD FINGER 199 14		
0 PLC ± 1 PLC ± 2 PLC ± 3 PLC ± 4 PLC ± ANGLES ±1°		PRODUCT SPEC 108-XXXXX	RESTRICTED TO		
MATERIAL Copper Alloy material_2		APPLICATION SPEC 114-XXXXX	SIZE A3	CAGE CODE 00779	DRAWING NO C-2040761
FINISH Ni, Au finish_spec_2		WEIGHT 0.02g	RESTRICTED CUSTOMER		
		SCALE 1:1	SHEET 1	OF 2	REV B

REVISIONS

P	LTR	DESCRIPTION	DATE	DWN	APVD
	-	SEE SHEET 1	-	-	-



SECT A - A

THIS DRAWING IS A CONTROLLED DOCUMENT.		DWN C. OHASHI 17JUL2009	 TE Connectivity	
DIMENSIONS: mm		CHK Y. NAKAZAWA 17JUL2009		
TOLERANCES UNLESS OTHERWISE SPECIFIED: $\pm 0.2$		APVD Y. NAKAZAWA 17JUL2009	NAME SHIELD FINGER 199 14	
0 PLC $\pm$ 1 PLC $\pm$ 2 PLC $\pm$ 3 PLC $\pm$ 4 PLC $\pm$ ANGLES $\pm 1^\circ$		PRODUCT SPEC 108-XXXXX	RESTRICTED TO	
MATERIAL Copper Alloy material_2		APPLICATION SPEC 114-XXXXX	SIZE A300779	DRAWING NO C-2040761
FINISH Ni, Au finish_spec_2		WEIGHT 0.02g	SCALE 5:1	SHEET 2 OF 2
		RESTRICTED CUSTOMER	REV B	