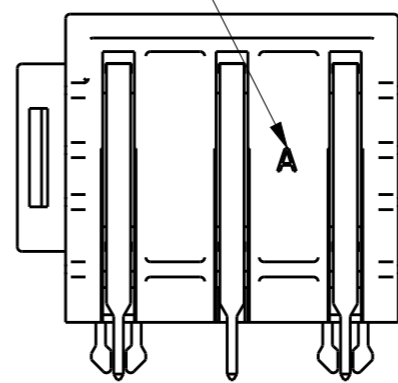
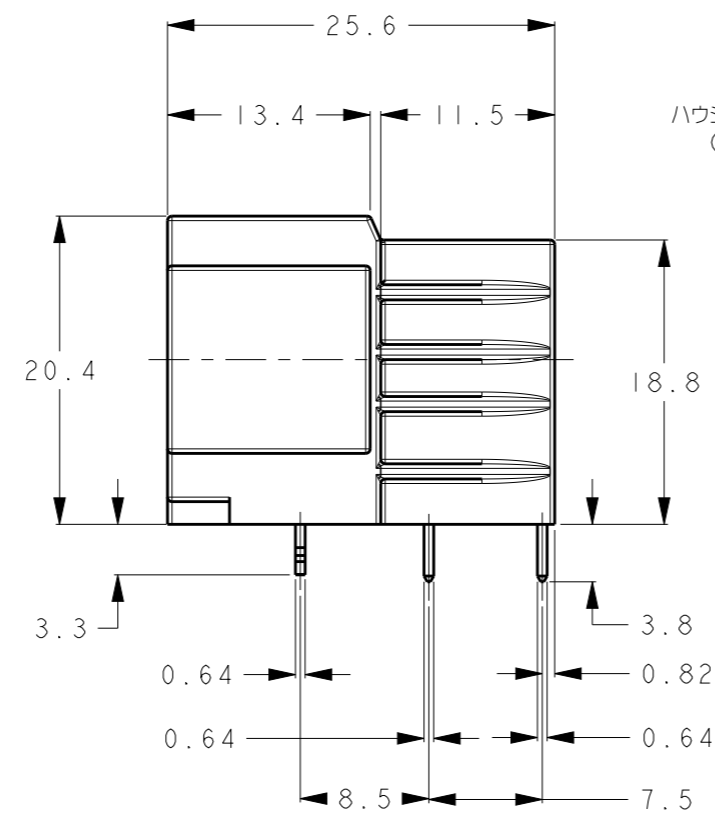
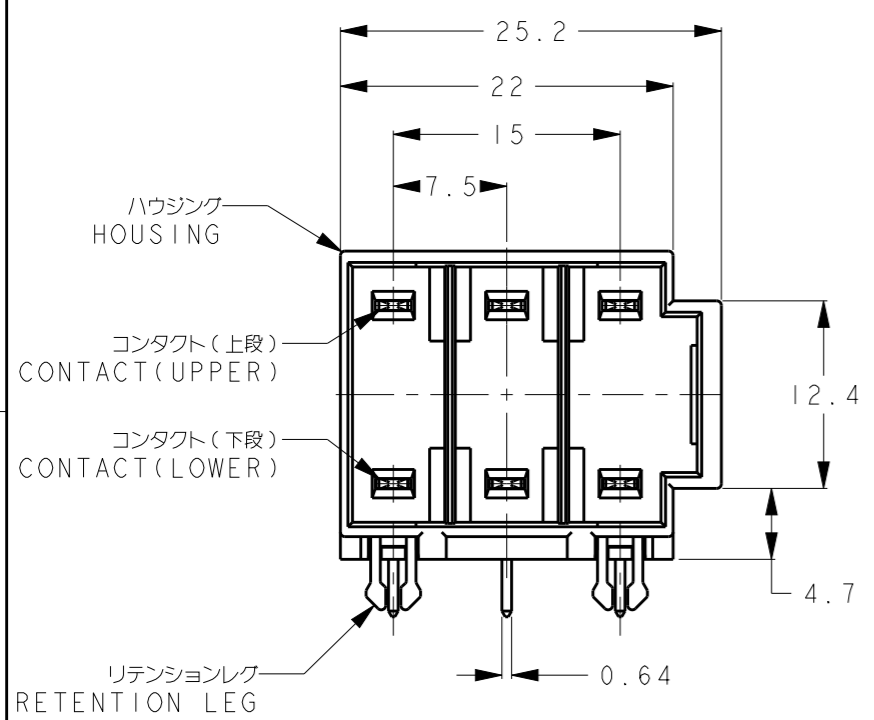
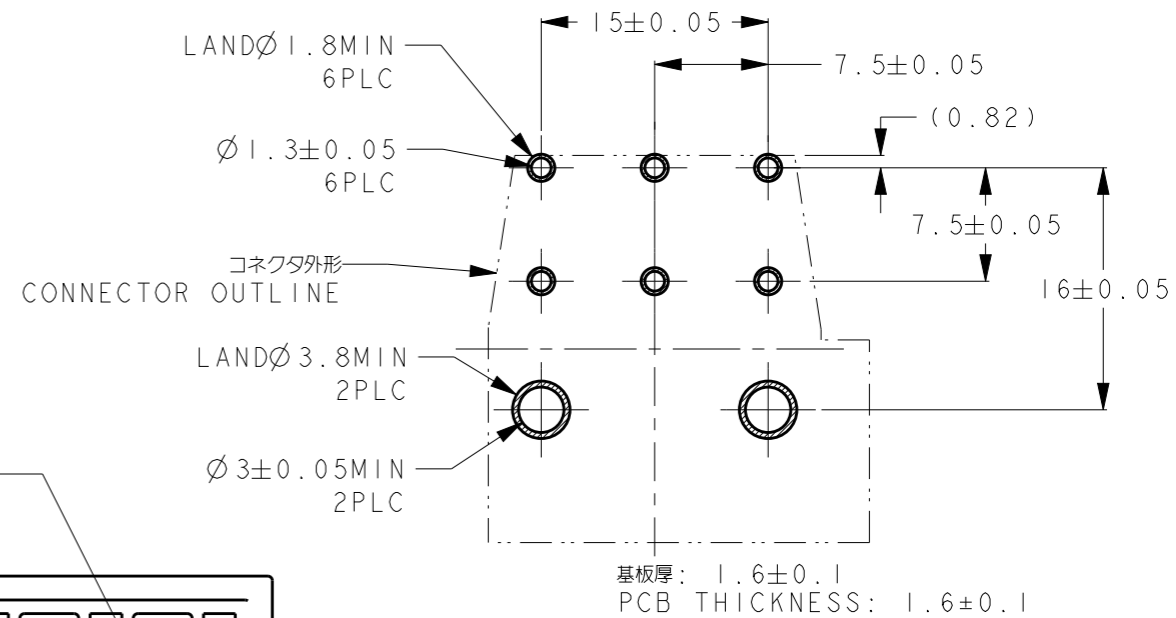
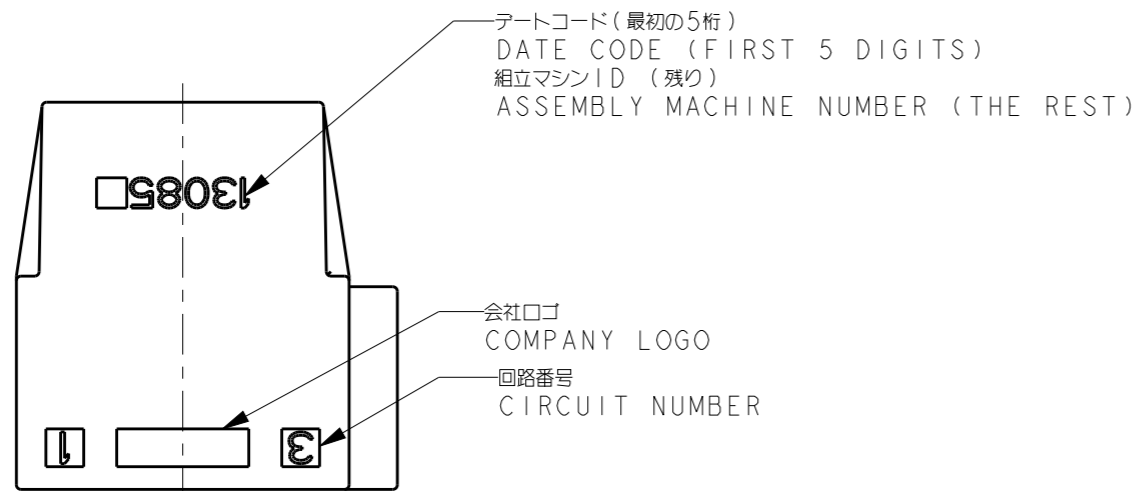


THIS DRAWING IS UNPUBLISHED. RELEASED FOR PUBLICATION XXXX2011
 © COPYRIGHT 2011 BY Tyco Electronics Japan G.K. ALL RIGHTS RESERVED.

LOC	DIST	REVISIONS					
		P	LTR	DESCRIPTION	DATE	DWN	APVD
J	-	A		REVISED, ECR-13-017380	08NOV2013	Y.O	N.Y
		B		REVISED	12JUN2018	K.T	E.I
		BI		REVISED ECR-20-008284	11JUN2020	A.W	R.B



参考基板レイアウト
RECOMMENDED PCB LAYOUT

- MATERIAL
HOUSING: THERMOPLASTIC POLYESTER, COLOR: BLACK.
CONTACT: COPPER ALLOY
RETENSION LEG: COPPER ALLOY
- PLATING
CONTACT POINT: UNDER Ni PLATING.
OVER Au PLATING.
RETENSION LEG AND TINE : UNDER Ni PLATING.
OVER Tin PLATING.

- 材料
ハウジング: 熱可塑性ポリエステル, 色: 黒
コンタクト: 銅合金
リテンションレグ: 銅合金
- めっき
コンタクト-接点部: ニッケル下地めっき上に金めっき
リテンションレグおよびコンタクトはんだ付け部: ニッケル下地めっき上に錫めっき

2229806-1
型番
PART NUMBER

THIS DRAWING IS A CONTROLLED DOCUMENT.		DWN Y. OKADA 20FEB2013	TE Connectivity	
DIMENSIONS: 単位: 概 mm		CHK S. YAMADA 20FEB2013		
TOLERANCES UNLESS OTHERWISE SPECIFIED:		APVD N. YAMASAKI 20FEB2013	NAME 名称 DYNAMIC D3950	
一般公差 \pm 0.3		PRODUCT SPEC 製品規格 108-78997	6P HEADER ASSEMBLY	
ϕ PLC \pm		APPLICATION SPEC 取付適用規格 411-78272	SIZE A3	CAGE CODE 00779
1 PLC \pm 0.5		WEIGHT -	DRAWING NO. C=2229806	RESTRICTED TO -
2 PLC \pm 0.13		Customer Drawing	SCALE 尺度 2:1	SHEET 1 OF 1
3 PLC \pm 0.013				REV BI
4 PLC \pm 0.0001				
ANGLES \pm 5				
MATERIAL 材料 SEE NOTE	FINISH 仕上 SEE NOTE			

