

4

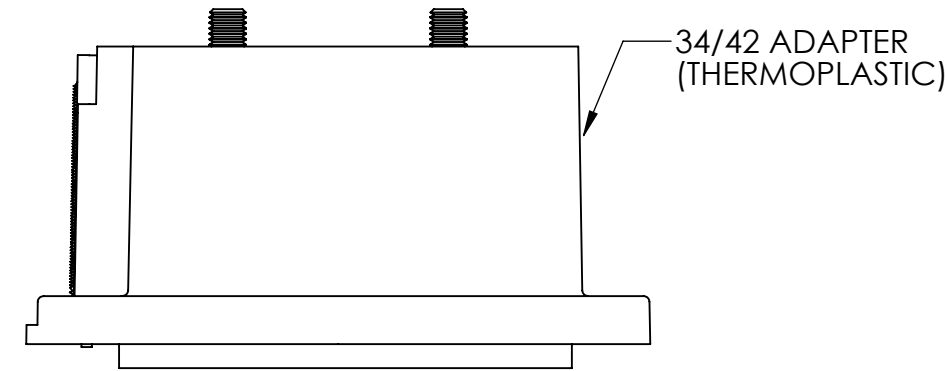
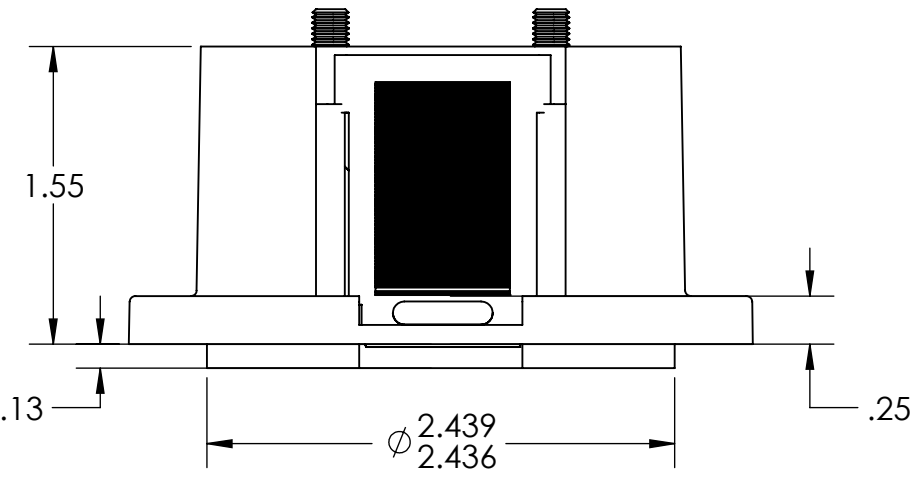
3

2

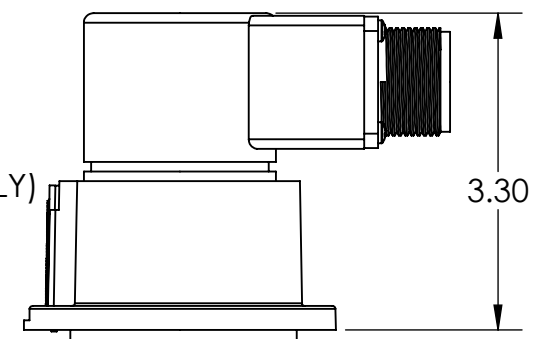
1

ZONE	REV.	REVISION DESCRIPTION	ECN NO.	DATE
	A	Ø1.625 WAS Ø1.875	10893	01/19/22

*Mat Bagnoli*



SHOWN WITH H20EB-F12 (SOLD SEPARATELY)

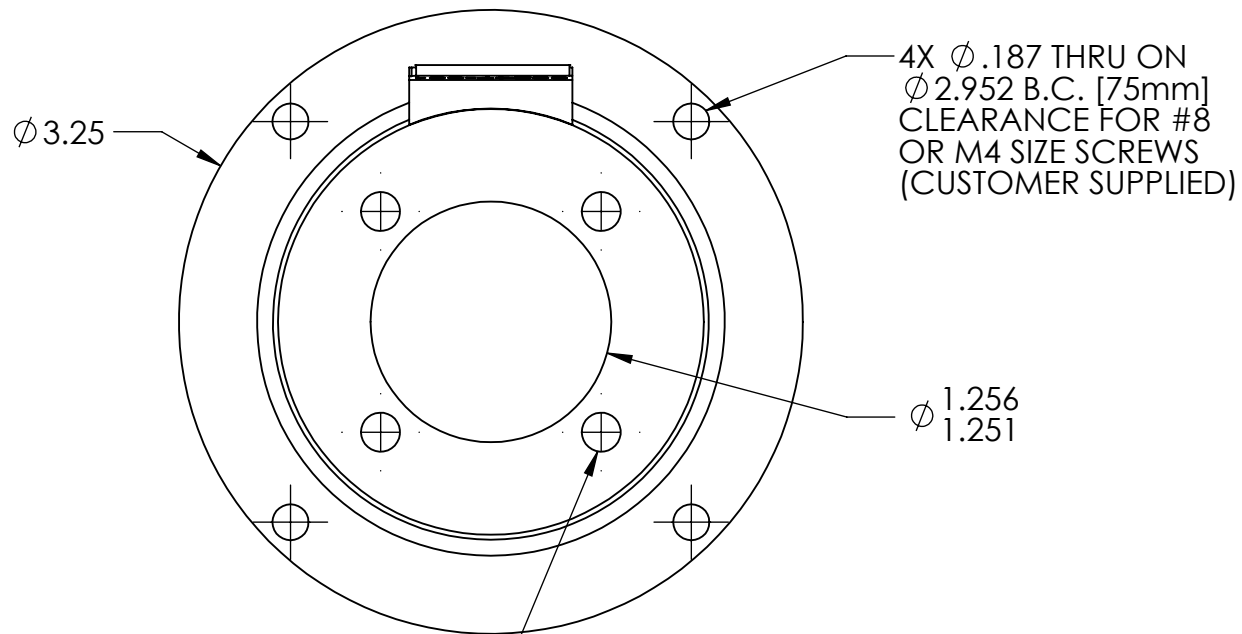


D

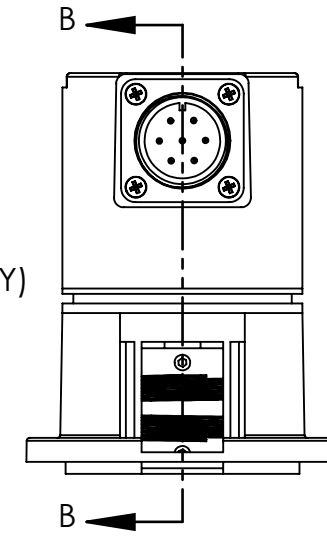
D

C

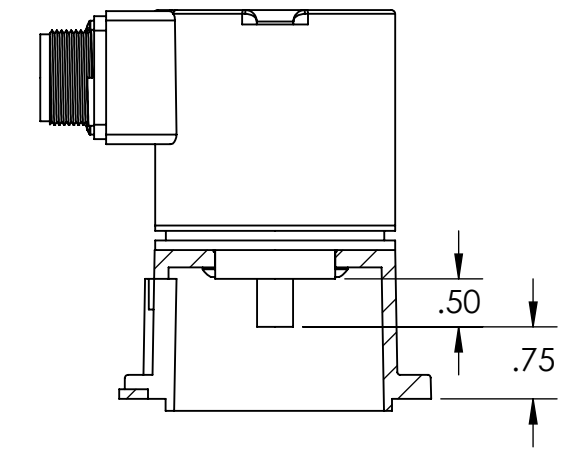
C



SHOWN WITH H25E-F45 AND COUPLING (SOLD SEPARATELY)



SHOWN WITH SLIDING PLATE REMOVED



SECTION B-B SCALE 1 : 2

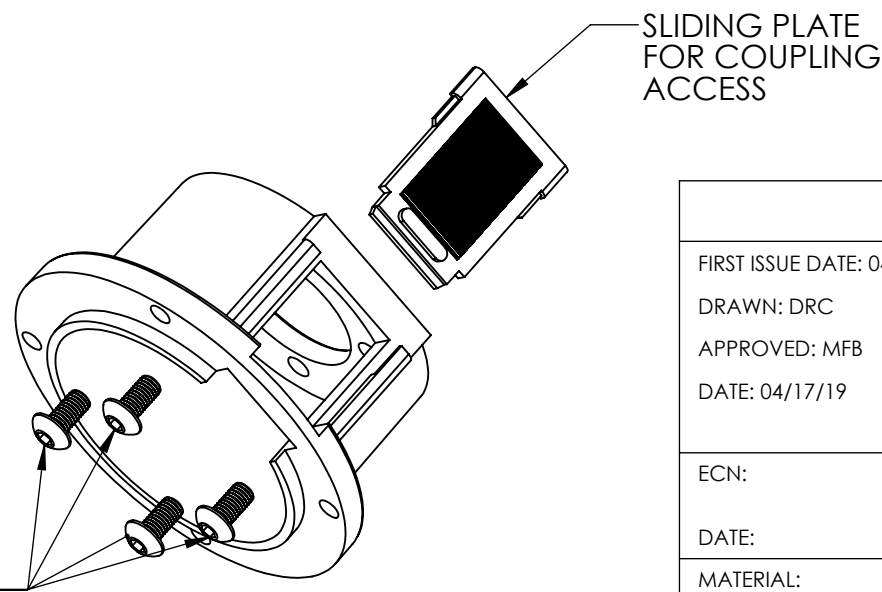
B

B

4X Ø .203 THRU ON Ø 1.625 B.C. (FITS H25E WITH F45 AND H20E WITH F12)

KIT INCLUDES: 34/42 ADAPTER, SCREWS AND ACCESS PLATE

4X #10-32 X 3/8 BUTTON HEAD SCREWS (1/8 HEX)



NOTE: USE ENCODER WITH .50 SHAFT EXTENSION FOR PROPER CLEARANCE

A

A

UNCONTROLLED COPY

FIRST ISSUE DATE: 04/17/19  
 DRAWN: DRC  
 APPROVED: MFB  
 DATE: 04/17/19  
 ECN:  
 DATE:  
 MATERIAL: THERMOPLASTIC, CRES STEEL

SENSATA TECHNOLOGIES PROPRIETARY AND CONFIDENTIAL. NEITHER THIS PRINT NOR THE INFORMATION CONTAINED HEREON IS TO BE USED AGAINST THE INTERESTS OF SENSATA TECHNOLOGIES OR AGAINST THE INTERESTS OF ANY OF ITS AFFILIATED COMPANIES OR WHOLLY OWNED SUBSIDIARIES.

INTERPRET DIMENSIONING AND TOLERANCING PER ASME Y14.5-2009. UNLESS OTHERWISE SPECIFIED DIMENSIONS ARE IN INCHES [MILLIMETERS] AND ARE INTENDED AS NOMINAL SEE PRODUCT SPECIFICATIONS FOR MORE DETAILS.

DO NOT SCALE DRAWING

THIRD ANGLE PROJECTION

BEI SENSORS  
 1461 LAWRENCE DRIVE  
 THOUSAND OAKS, CA 93120

TITLE  
**P/N 31170-001  
 NEMA 34/42 MOTOR  
 ADAPTER KIT FOR H20/H25**

SIZE DWG NO. REV.  
**B 09908-001 A**

SCALE 1:1 SOLIDWORKS SHEET 1 OF 2

4

3

2

1

DEVICE: PROJECT:

4

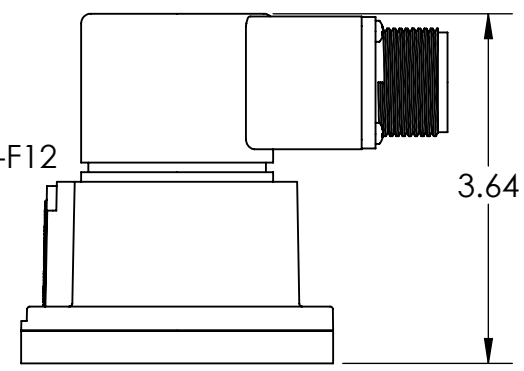
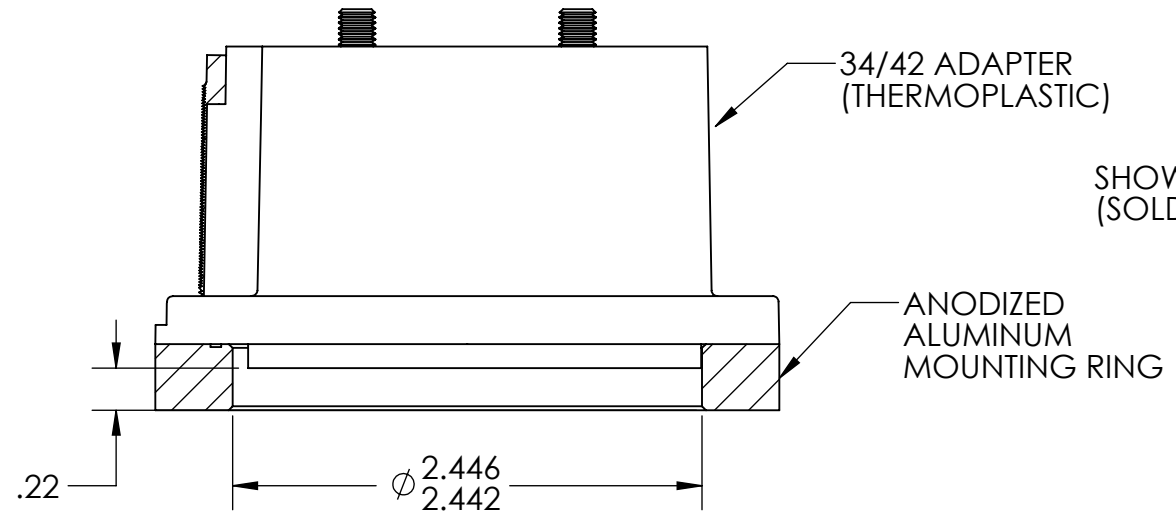
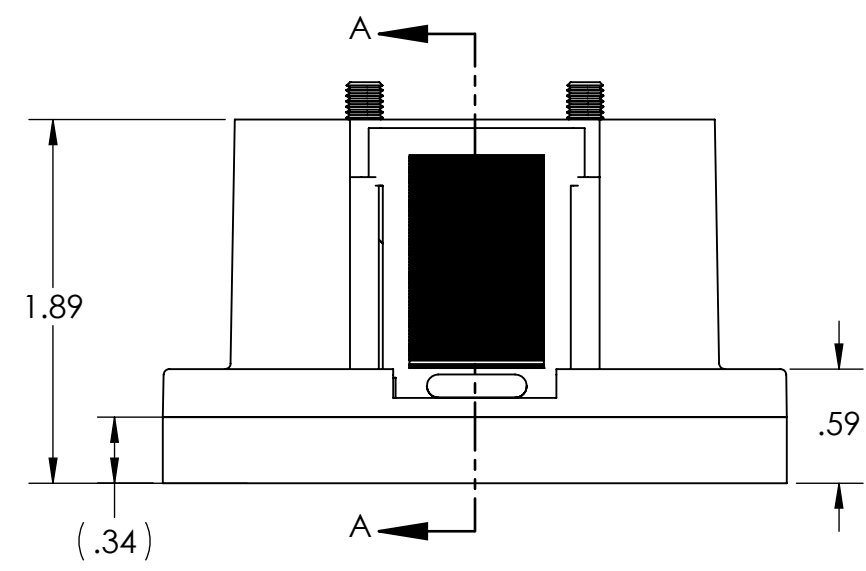
3

2

1

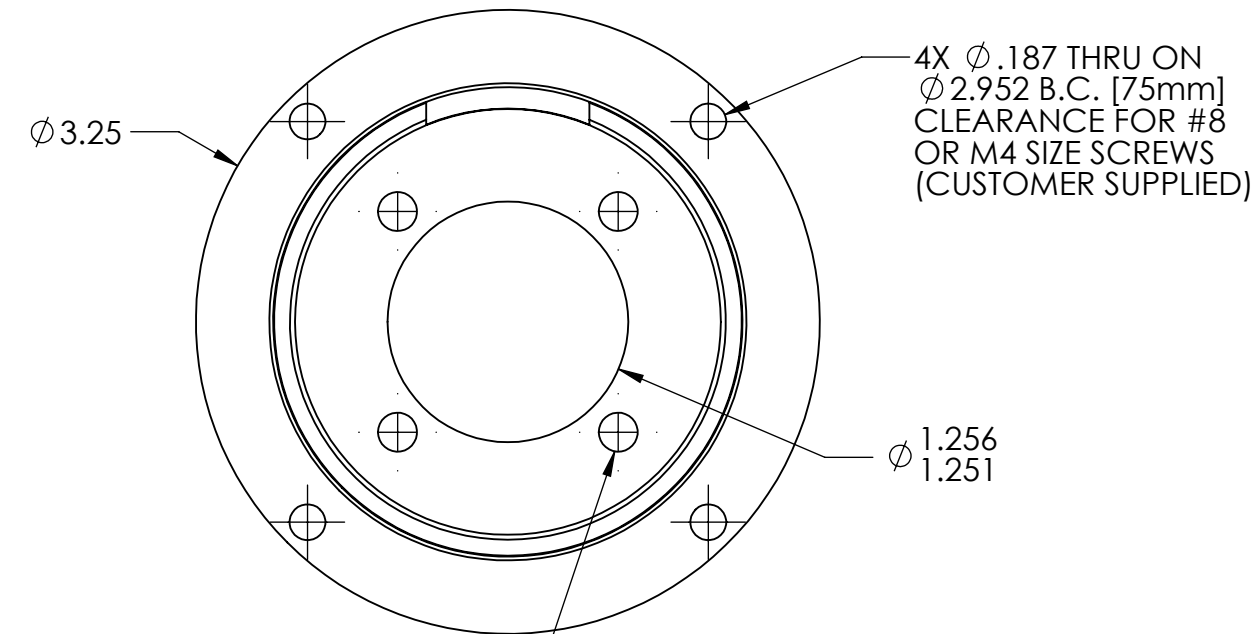
ZONE	REV.	REVISION DESCRIPTION	ECN NO.	DATE
	A	Ø1.625 WAS Ø1.875	10893	01/19/22

D

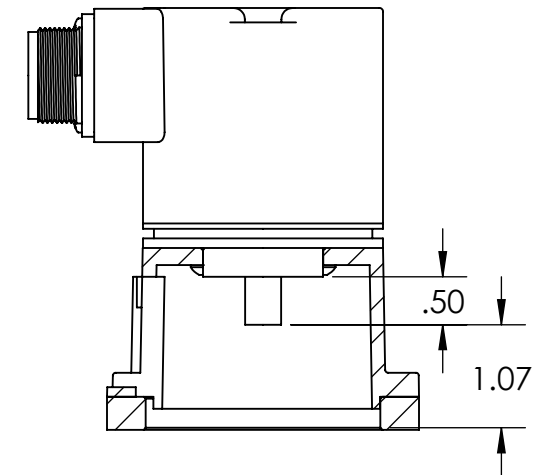
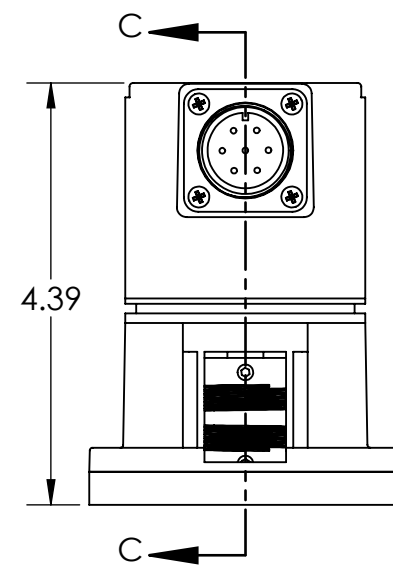


D

C



SHOWN WITH H25E-F45 AND COUPLING (SOLD SEPARATELY)



C

B

4X Ø .203 THRU ON Ø 1.625 B.C. (FITS H25E WITH F45 AND H20E WITH F12)

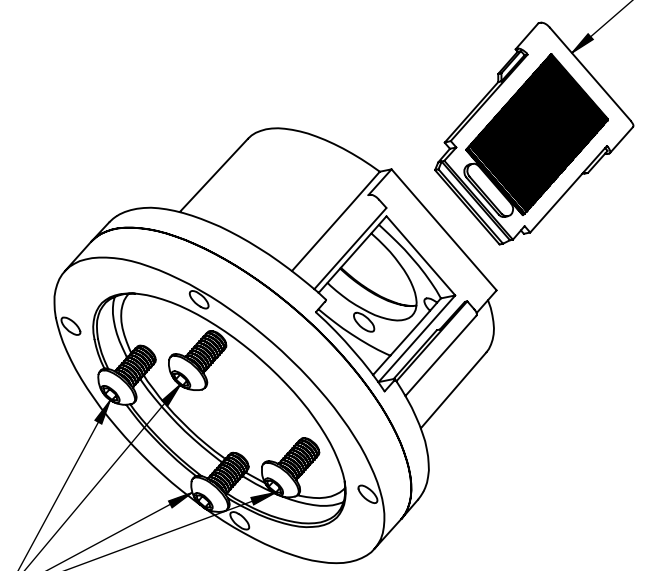
SLIDING PLATE FOR COUPLING ACCESS

NOTE: USE ENCODER WITH .50 SHAFT EXTENSION FOR PROPER CLEARANCE

A

KIT INCLUDES: 34/42 ADAPTER, ADAPTOR RING, ACCESS PLATE AND SCREWS

4X #10-32 X 3/8 BUTON HEAD HEX SOCKET (1/8 HEX)



<b>UNCONTROLLED COPY</b>		 BEI SENSORS 1461 LAWRENCE DRIVE THOUSAND OAKS, CA 93120
FIRST ISSUE DATE: 04/17/19 DRAWN: DRC APPROVED: MFB DATE: 04/17/19	SENSATA TECHNOLOGIES PROPRIETARY AND CONFIDENTIAL. NEITHER THIS PRINT NOR THE INFORMATION CONTAINED HEREON IS TO BE USED AGAINST THE INTERESTS OF SENSATA TECHNOLOGIES OR AGAINST THE INTERESTS OF ANY OF ITS AFFILIATED COMPANIES OR WHOLLY OWNED SUBSIDIARIES.	
ECN: DATE:	INTERPRET DIMENSIONING AND TOLERANCING PER ASME Y14.5-2009. UNLESS OTHERWISE SPECIFIED DIMENSIONS ARE IN INCHES [MILLIMETERS] AND ARE INTENDED AS NOMINAL SEE PRODUCT SPECIFICATIONS FOR MORE DETAILS.	TITLE <b>P/N 31170-003          NEMA 34/42 MOTOR          ADAPTER FOR H20/H25</b>
MATERIAL: THERMOPLASTIC; CRES STEEL; ANODIZED ALUMINUM	DO NOT SCALE DRAWING THIRD ANGLE PROJECTION	SIZE DWG NO. REV. <b>B 09908-001 A</b>
SCALE 1:1 SOLIDWORKS SHEET 2 OF 2		

B

A

4

3

2

1

DEVICE:

PROJECT: