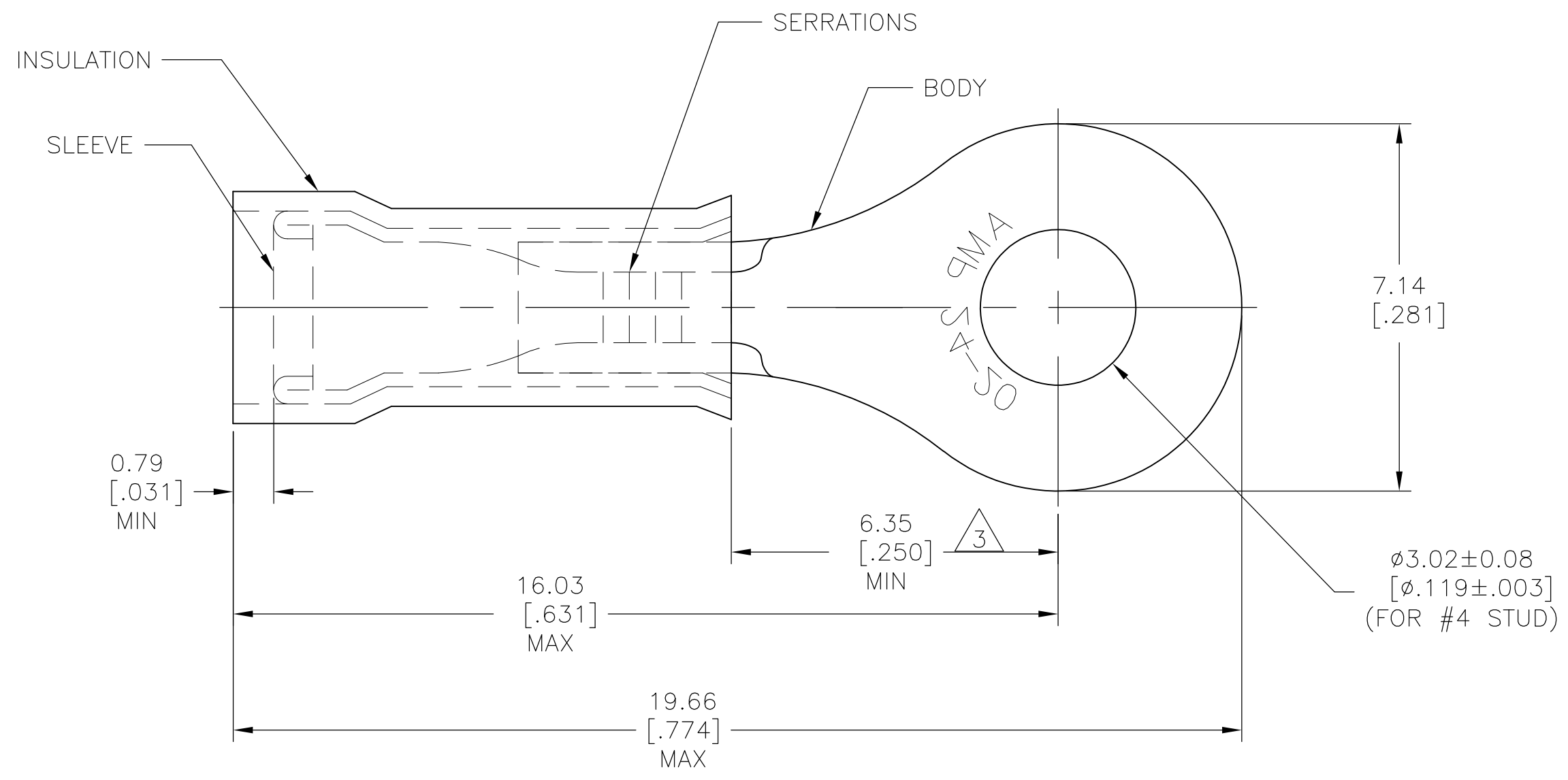


THIS DRAWING IS UNPUBLISHED. RELEASED FOR PUBLICATION
 © COPYRIGHT - By - ALL RIGHTS RESERVED.

| | | | | | | | |
|-----|------|-----------|-----|---------------------------|---------|-----|------|
| LOC | DIST | REVISIONS | | | | | |
| G | 14 | P | LTR | DESCRIPTION | DATE | DWN | APVD |
| | | | D2 | REVISED PER ECO-11-005027 | 12MAR11 | RK | HMR |



- 1 FOR 1.02[.040] TO 2.54[.100] WIRE INSULATION DIA
- 2 TONGUE MATERIAL THK 0.58±0.05[.023±.002]
- APPLIES FROM EDGE OF METAL BARREL TO CENTERLINE OF STUD HOLE.

| | | | |
|-----|----------------|--|------------------------|
| 1 | 323985 ON TAPE | BODY&SLEEVE: COPPER ASTM-B152 TIN PL ASTM-B545 INSULATION: NATURAL NYLON ASTM-D4066 TYPE I | 2 -323985-1 |
| 1 | WIRE TERMINAL | | 323985 |
| QTY | DESCRIPTION | MATERIAL & FINISH | PART NO |

| | | | | |
|--|--|------------------------------|--|-----------------|
| THIS DRAWING IS A CONTROLLED DOCUMENT. | | DWN RAGHAVENDRA 19MAR10 | TE Connectivity | |
| DIMENSIONS: mm [INCHES] | | CHK JEFF RUTH 19MAR10 | | |
| TOLERANCES UNLESS OTHERWISE SPECIFIED: | | APVD TOM MICHIELUTTI 19MAR10 | NAME | |
| <ul style="list-style-type: none"> 0 PLC ± - 1 PLC ± - 2 PLC ± - 3 PLC ± 0.20 [.008] 4 PLC ± - ANGLES ± 0° 30' | | PRODUCT SPEC | TERMINAL, NYLON - PIDG - RING TONGUE WIRE SIZE: 24-20 | |
| MATERIAL SEE TABLE | | FINISH SEE TABLE | APPLICATION SPEC | RESTRICTED TO |
| | | WEIGHT - | SIZE A3 | CAGE CODE 00779 |
| | | CUSTOMER DRAWING | DRAWING NO C-323985 | RESTRICTED TO - |
| | | SCALE 10:1 | SHEET 1 OF 1 | REV D2 |