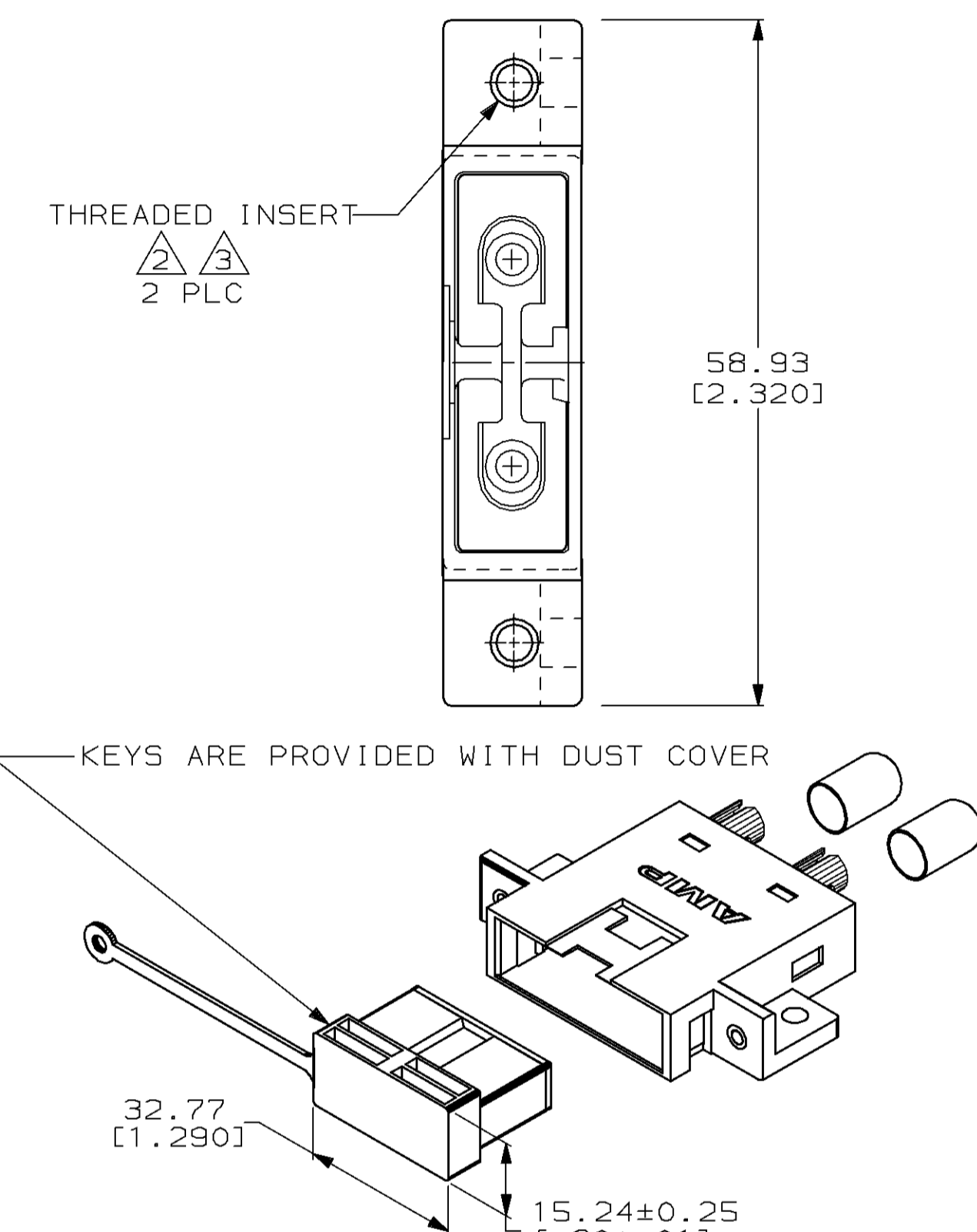
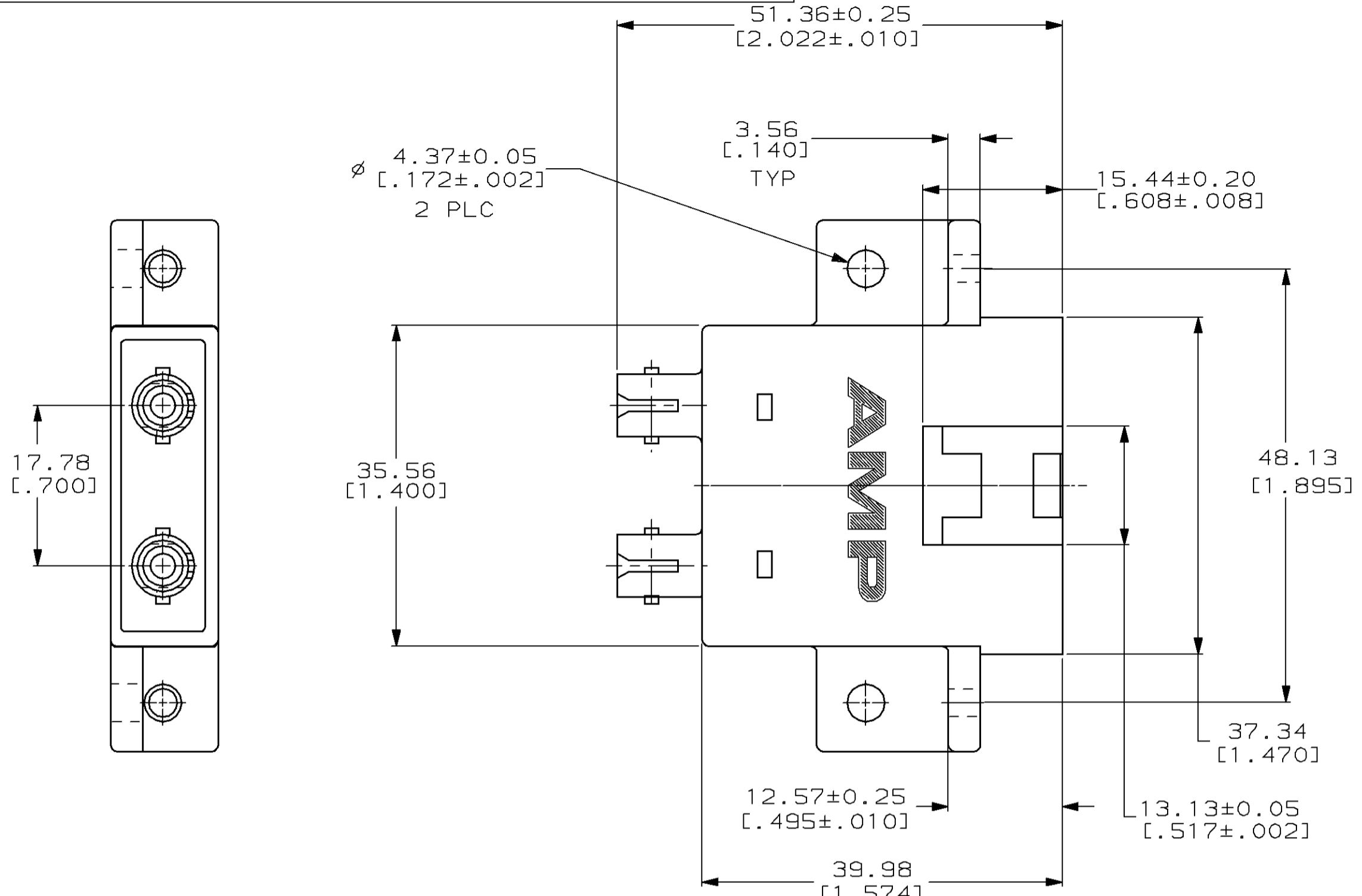
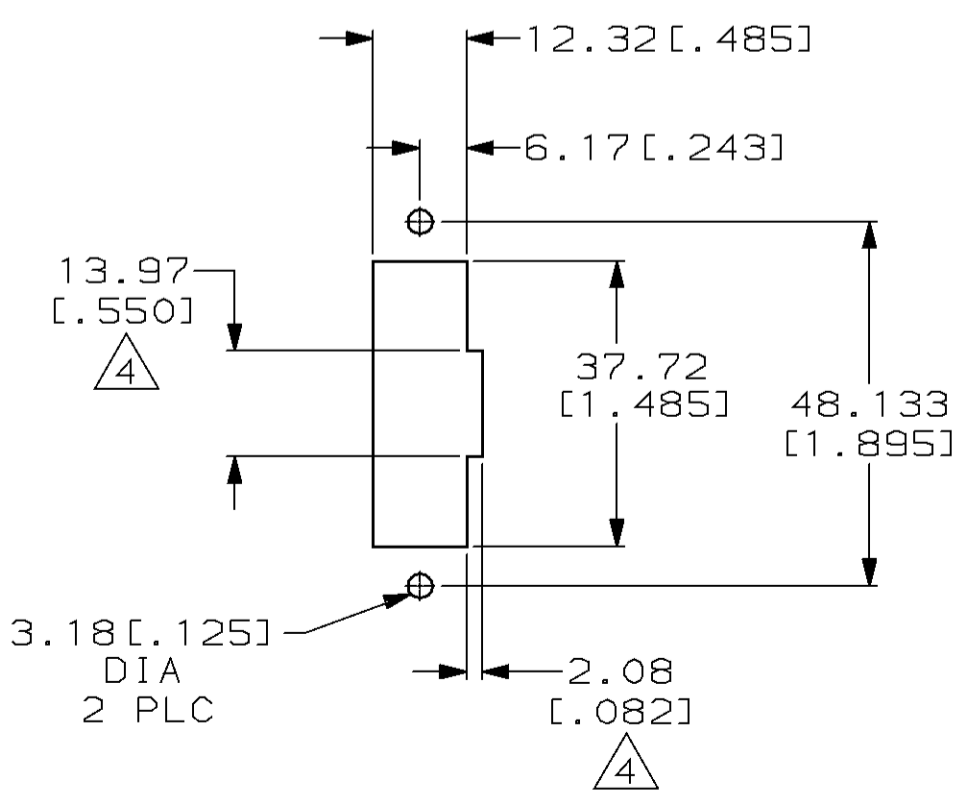


LOC	DIST	P	F	ZONE	LTR	REVISIONS	DATE	APPD
CE	16				B	REV PER 0500-0087-94	11-22-94	RH/GL



1. DIMENSIONS IN [ ] ARE IN INCHES.
- 2 #4-40 THREADED INSERT.
- 3 M3X0.5 THREADED INSERT.
- 4 OPTIONAL CUTOUT FOR FIELD KEY INSERTION AND REMOVAL. KEY EXTRACTION TOOL PART NUMBER: 503679-1.



	COLOR	ALIGNMENT SLEEVE MATERIAL	PART NUMBER
3	BEIGE	CERAMIC	502808-6
3	BEIGE	METAL	502808-5
2	BEIGE	CERAMIC	502808-4
SUPERSEDED BY 502808-4			
2	BLACK	CERAMIC	502808-3
2	BEIGE	METAL	502808-2
SUPERSEDED BY 502808-2			
2	BLACK	METAL	502808-1

DO NOT SCALE PRINT. UNLESS SPECIFIED DIMENSIONS IN mm TOLERANCES ON :		PART NO	
MATERIAL	THERMOPLASTIC	AMP INCORPORATED Harrisburg, Pa. 17105	
FINISH	SEE TABLE	NAME FSD TO 2.5mm BAYONET COUPLING ASSEMBLY, FIELD KEYABLE, AMP FSD, MULTIMODE	
DR 10-9-92 R.HILEMAN	CHK 10-14-92 T.FAWCETT	SIZE	FSCM NO
APPD 10-14-92 T.FAWCETT	APPD 10-14-92 D.FISHER	C	00779
PRODUCT SPEC	APPLICATION SPEC	DRAWING NO	502808
WEIGHT	-	SCALE	2:1
		SHEET	1 OF 1

METRIC