

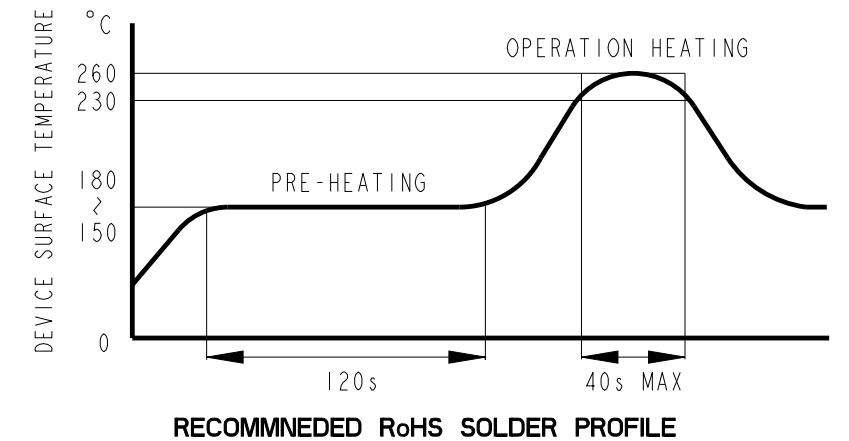
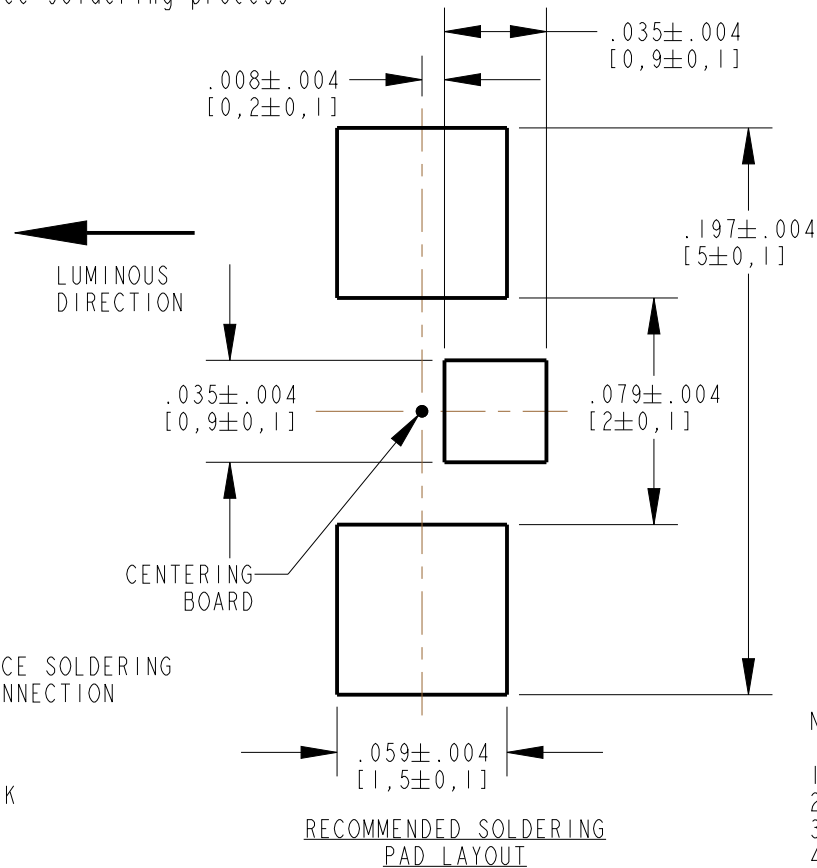
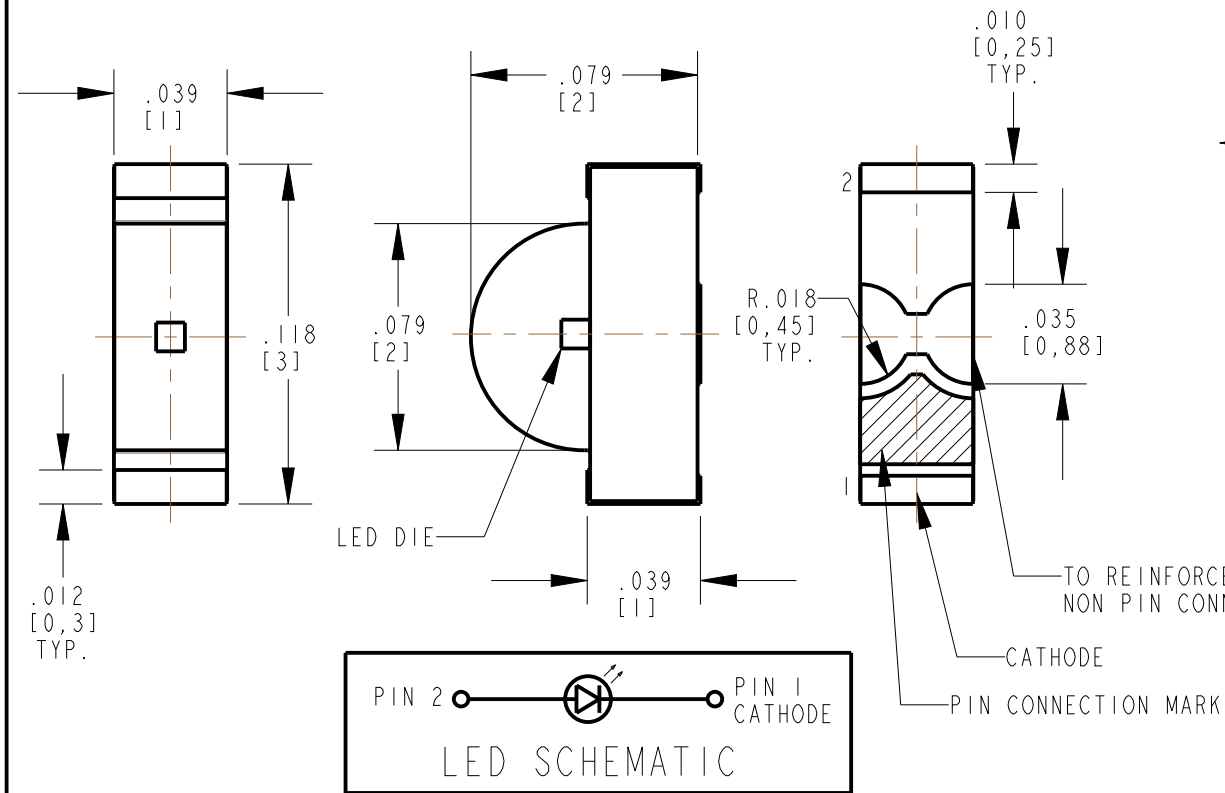
DIALIGHT PART NUMBER	LED COLOR
597-2002-402NF, -407NF	AlGaInP RED
597-2212-402NF, -407NF	AlGaInP ORANGE

**RoHS COMPLIANT 597-2XXX-40XNF**  
 Part Numbers with the "F" suffix ending are RoHS Compliant. For example: 597-2002-402NF  
 Reel and bag packaging are marked with "RoHS Compliant" label or equivalent markings. These parts can be used with RoHS reflow profile. Parts can be wave soldered, dip soldered or hand soldered using typical lead-free soldering process with max 260°C temp. for 10 sec.



**ATTENTION:**  
 OBSERVE PRECAUTIONS FOR HANDLING ELECTROSTATIC SENSITIVE DEVICES

REV	ECN NO	REVISIONS	DRN	CKD	APP	DATE
A		NEW RELEASE	RSK	WFB	NO	11/20/14

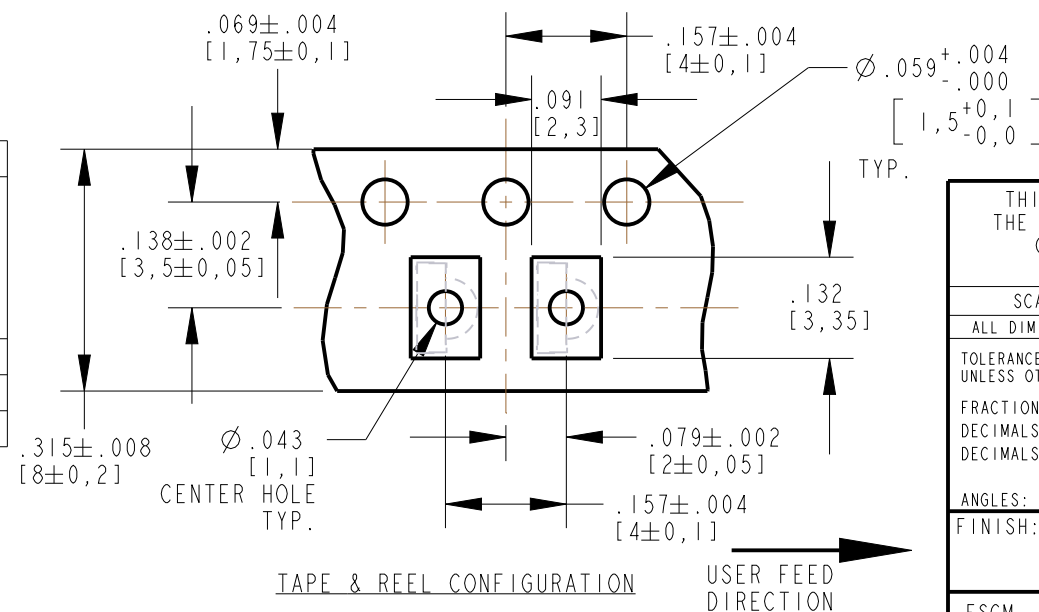


NOTES:

- EPOXY COLOR: WATER CLEAR.
- MOISTURE SENSITIVITY LEVEL: 3.
- TAPE & REEL AS PER EIA STANDARD 481-1-A; CATHODE SIDE TOWARDS SPROCKET.
- TAPE & REEL LEDS MAY REQUIRE RE-TAPING AFTER TWELVE (12) MONTHS.
- PIN NUMBERS ARE FOR REFERENCE ONLY, DESIGNATION NON-EXISTENT ON PART.
- ...-402F SUFFIX MEANS PARTS PACKAGED ON A 20 PCS SAMPLE STRIP.  
...-407F SUFFIX MEANS PARTS PACKAGED ON A 7" [Ø180mm] REEL, 3,000 PCS/REEL.
- DIALIGHT PART NUMBERS:  
597-2002-402NF, -407NF; 597-2212-402NF, -407NF;
- PACKAGING TO INCLUDE LABEL CONTAINING DIALIGHT P/N, DATE CODE/LOT NO., LUMINOUS INTENSITY AND COLOR BINS, QTY/REEL, AND COUNTRY OF ORIGIN.
- THIS ASSEMBLY CONTAINS ELECTROSTATIC DISCHARGE SENSITIVE DEVICES (ESDS). MAINTAIN ALL PRECAUTIONARY MEASURES DURING ASSEMBLY, HANDLING, AND STORAGE IN ACCORDANCE WITH IPC-A-610.

ABSOLUTE MAXIMUM RATINGS AT 25°C AMBIENT	LED COLOR		UNITS
	AlGaInP RED	AlGaInP ORANGE	
POWER DISSIPATION	81	81	mW
CONTINUOUS FORWARD CURRENT	30	30	mA
PEAK FORWARD CURRENT (1/20 DUTY CYCLE (1/10 FOR RED), 1 ms PULSE WIDTH)	100	100	mA
DERATE LINEARLY FROM 75°C (25°C FOR RED)	0.43	1.0	mA/°C
REVERSE VOLTAGE	5	5	V
OPERATING TEMPERATURE	-40 TO +85	-40 TO +85	°C
STORAGE TEMPERATURE	-40 TO +100	-40 TO +120	°C

OPERATING CHARACTERISTICS AT 25°C AMBIENT								
COLOR	LUMINOUS INTENSITY (mcd) @ I <sub>f</sub> =20mA		FORWARD VOLTAGE (V) @ I <sub>f</sub> =20mA FOR RED		REVERSE CURRENT (µA)	DOMINANT WAVELENGTH (nm)	PEAK WAVELENGTH (nm)	VIEWING ANGLE (DEG.)
	MIN	TYP	TYP	MAX				
AlGaInP RED	—	—	1.9	2.4	100 @ V <sub>r</sub> =5V	626	635	130
AlGaInP ORANGE	68	150	1.9	2.4	100 @ V <sub>r</sub> =5V	606	609	130



THIS DRAWING AND THE CONTENTS HEREIN ARE CONFIDENTIAL AND THE SOLE PROPERTY OF DIALIGHT. REPRODUCTION OF THIS DRAWING OR CONSTRUCTION OF ANY PARTS WITHIN THIS DRAWING ARE FORBIDDEN WITHOUT THE WRITTEN CONSENT OF DIALIGHT.		
SCALE: 15.000 ALL DIM'S IN: INCHES (MM)	DRAWING NUMBER C-18124	REV A
TOLERANCES: UNLESS OTHERWISE SPECIFIED FRACTIONS: ±1/64 DECIMALS (.XX): ±.02 DECIMALS (.XXX): ±.010	TITLE 1208 SMT RIGHT ANGLE LED RoHS COMPLIANT	
ANGLES: ±1° FINISH:	MATERIAL	
FSCM 83330	1501 ROUTE 34 SOUTH FARMINGDALE, NJ 07727	
SHEET 1 OF 1	FAMILY TABLE:	