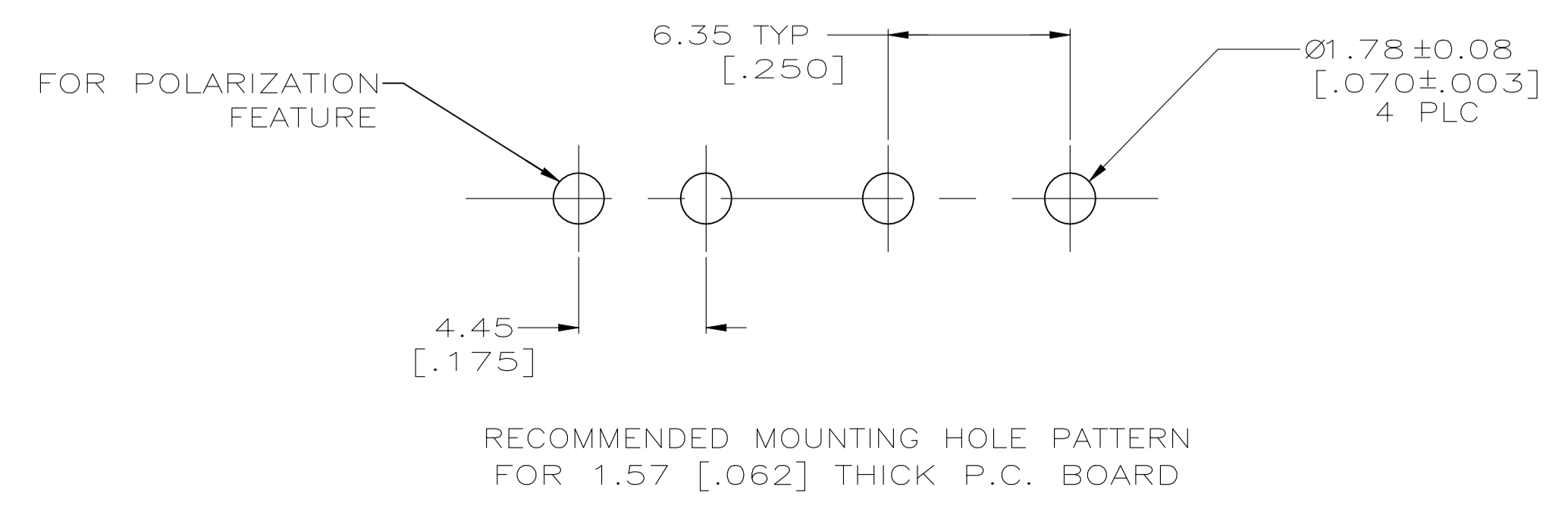
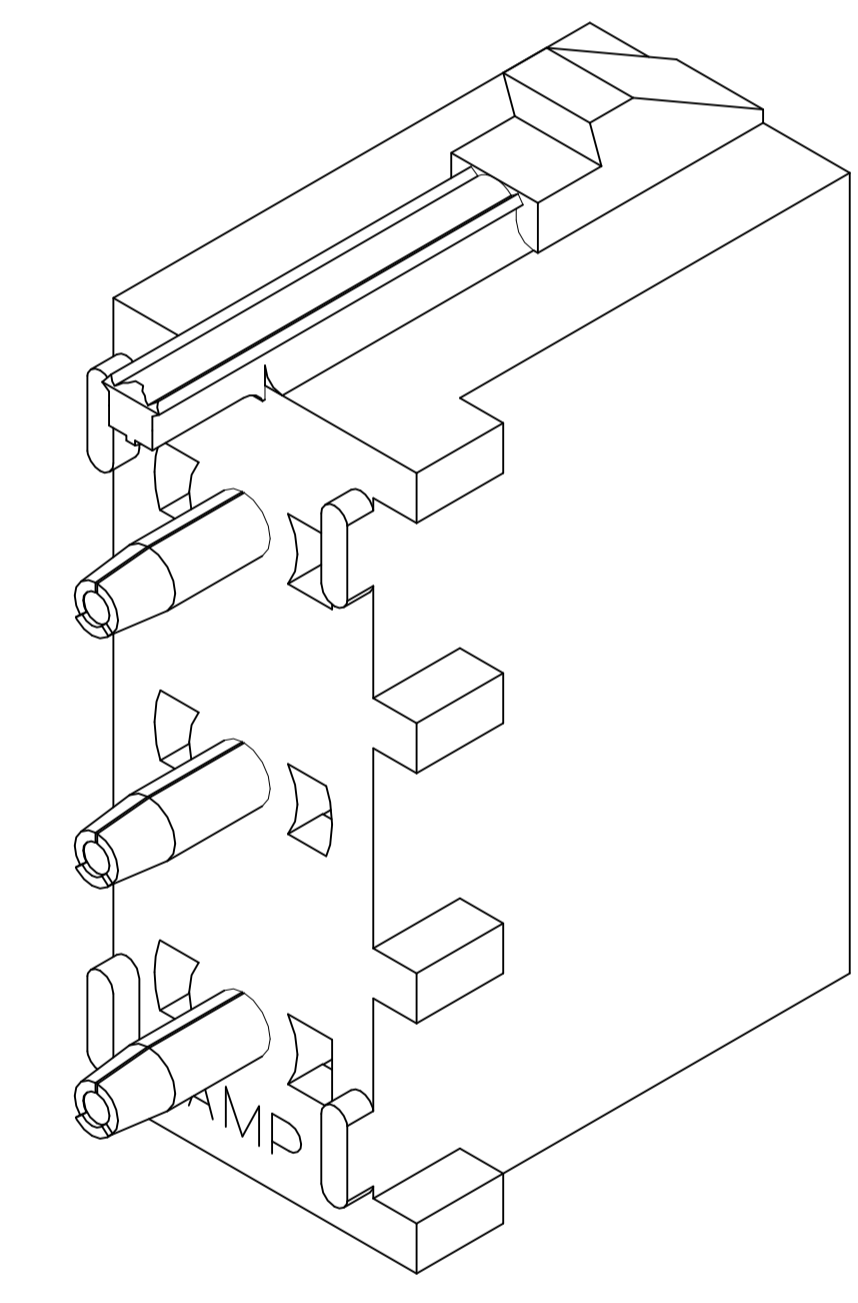
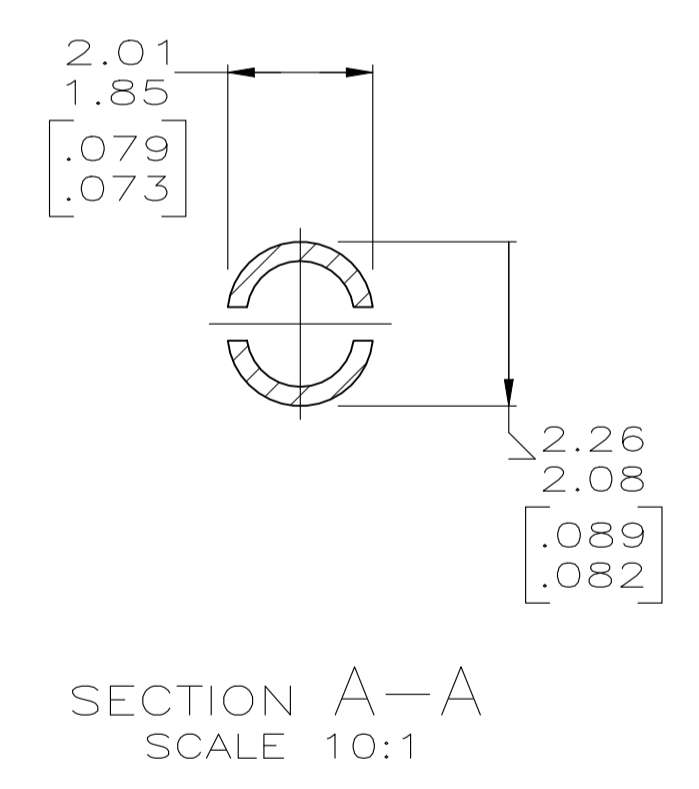
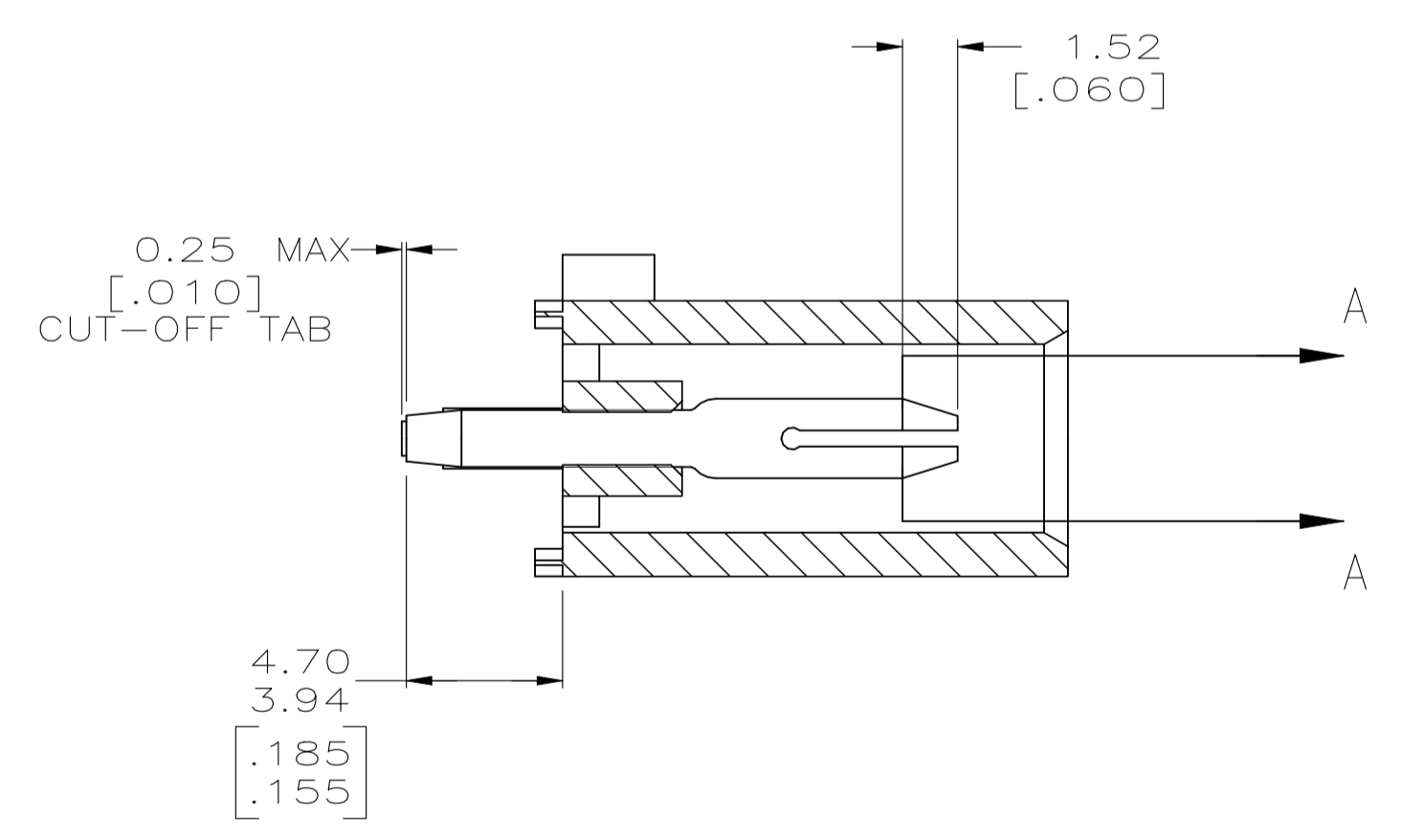
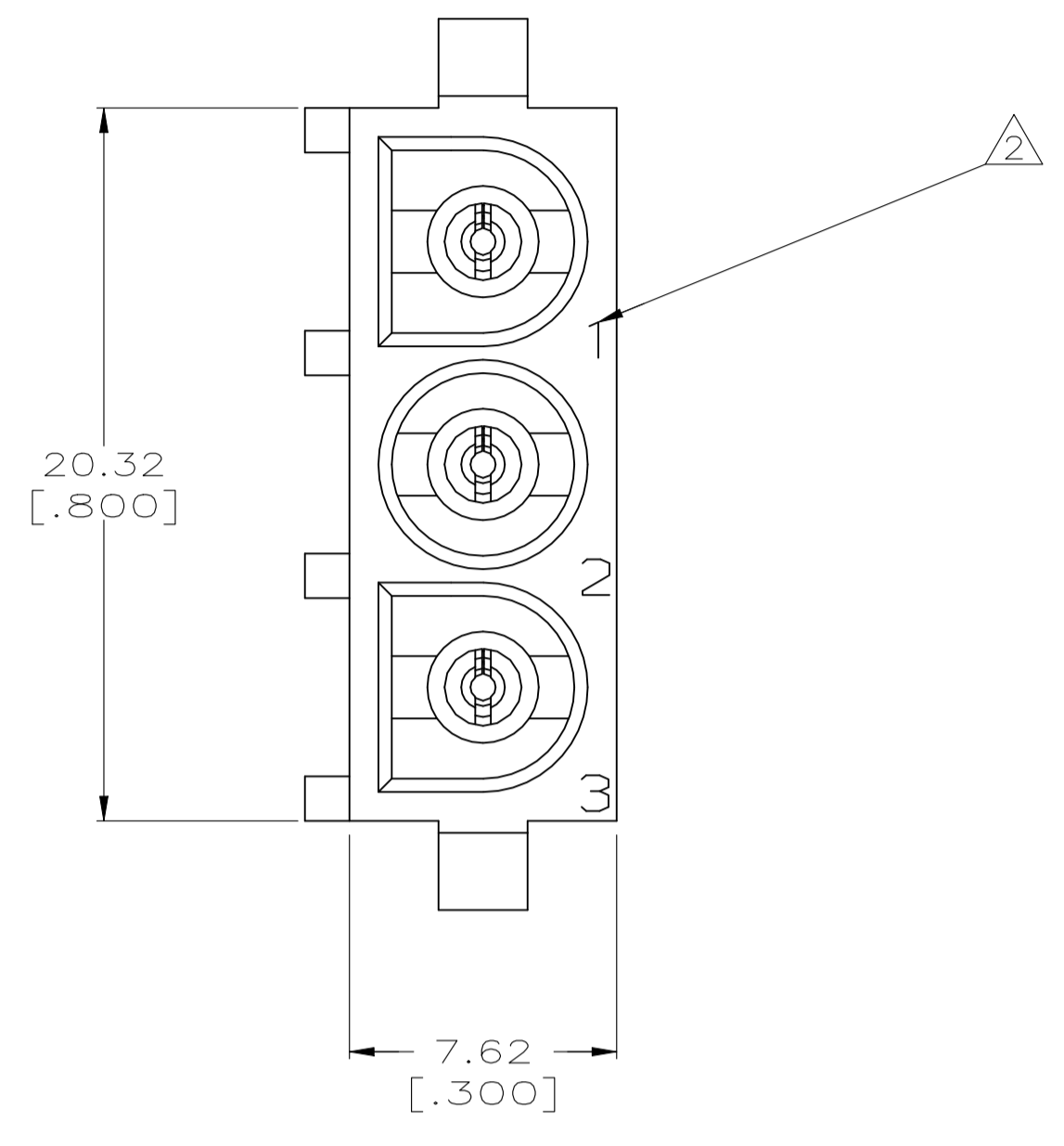
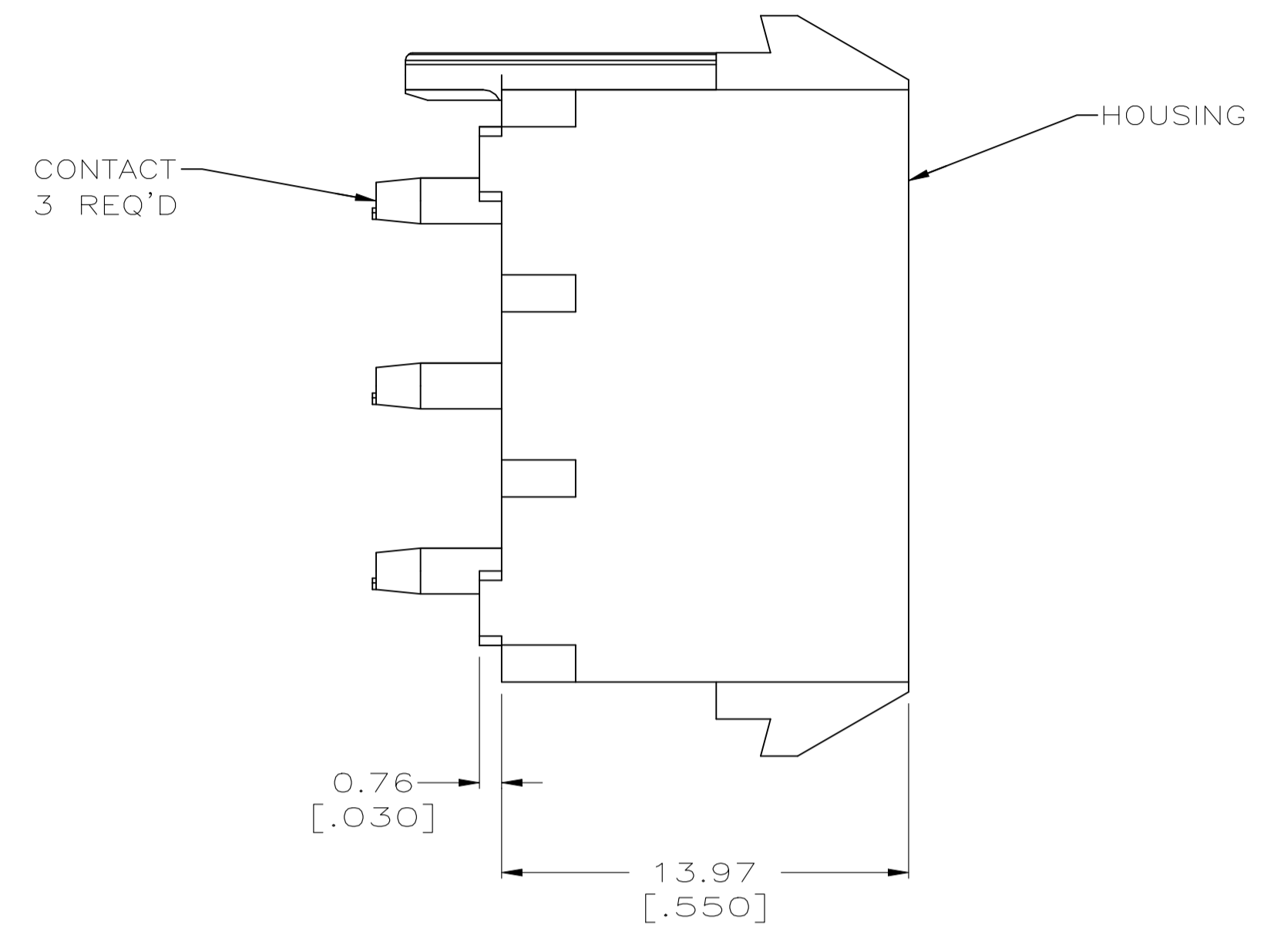
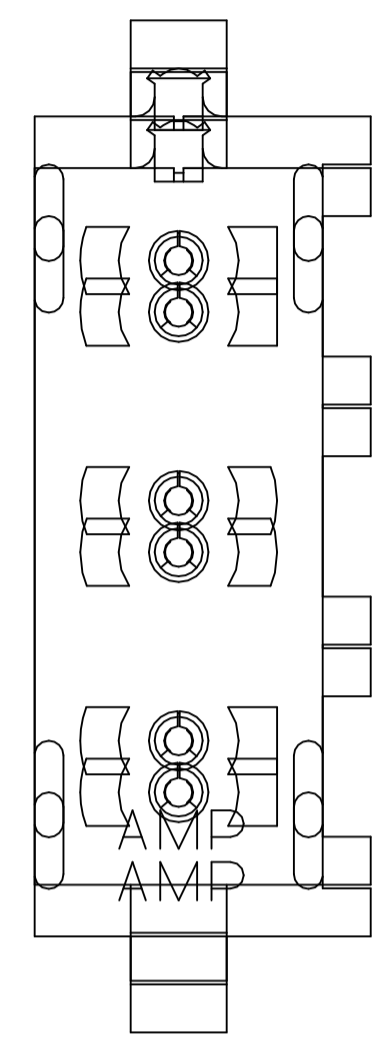


REVISIONS					
REV	DATE	DESCRIPTION	BY	CHK	APP'D
L1	21JUL2022	REVISED PER ECR-21-118222	JP	VS	

- PARTS COMPLY TO AMP SOLDERABILITY SPECIFICATION 109-11-3.
- △ CIRCUIT IDENTIFICATION CHARACTERS ARE ADJACENT TO THE INDICATED CAVITIES, BUT LOCATION AND ORIENTATION MAY DIFFER FROM PRINT.
- DIMENSIONS IN BRACKETS ARE IN INCHES.
- DIMENSIONS SHOWN REPRESENT PRODUCT IN DRY CONDITION. ADDITIONAL 2% GROWTH DUE TO END USE LOCATION MOISTURE ABSORPTION MAY OCCUR AND SHOULD BE ACCOUNTED FOR.



PHOSPHOR BRONZE, PRE-TIN	NYLON, UL94V-2,NATURAL	641965-1
PIN CONTACT MATERIAL AND FINISH	HOUSING MATERIAL	PART NO
THIS DRAWING IS A CONTROLLED DOCUMENT.		
DIMENSIONS: mm	TOLERANCES UNLESS OTHERWISE SPECIFIED:	APPROVED: K. COBLE
0 PLC ± -	1 PLC ± -	07-JUN-2000
2 PLC ± 0.13 [.005]	3 PLC ± -	NAME
4 PLC ± -	ANGLES ± 0° 30'	PRODUCT SPEC
MATERIAL SEE TABLE	FINISH SEE TABLE	APPLICATION SPEC
CUSTOMER DRAWING		SIZE: A1
SCALE: 5:1		CAGE CODE: 00779
SHEET: 1 of 1		DRAWING NO: 641965
REV: L1		RESTRICTED TO: -

