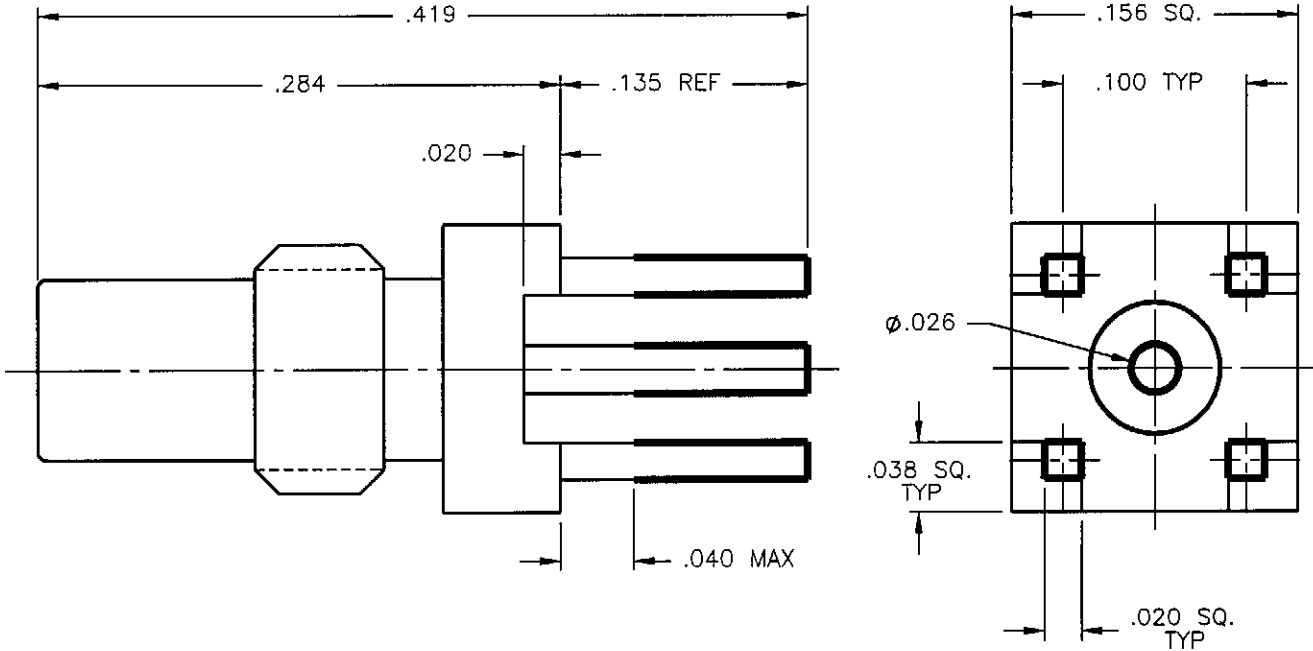


| REVISIONS |                 |          |          |
|-----------|-----------------|----------|----------|
| REV.      | DESCRIPTION     | DATE     | APPROVED |
| A         | INITIAL RELEASE | 09/15/09 | M.J.     |



NOTES:

MATERIALS:

1. BODY = BRASS PER ASTM B16, ALLOY C36000, TEMPER H02.
2. INSULATOR = VIRGIN WHITE TEFLON PER ASTM D1710, GRADE 1, TYPE I, CLASS "B".
3. CONTACT = BERYLLIUM COPPER PER ASTM B196, ALLOY C17300, TEMPER TD04.

FINISHES:

1. BODY = GOLD PLATE PER MIL-G-45204, TYPE II, CLASS 0, GRADE C, OVER .00010 TO .00020 COPPER STRIKE PER MIL-C-14550.
2. CONTACT = GOLD PLATE PER MIL-G-45204, TYPE II, CLASS 1, GRADE C, OVER .00010 TO .00020 STRESS FREE SULFAMATE NICKEL PER QQ-N-290.

Property of Radiall Incorporated  
 This document cannot be reproduced or  
 communicated to a third party without prior  
 written permission of RADIALL Incorporated.

|   |                                    |                  |
|---|------------------------------------|------------------|
| UNLESS OTHERWISE SPECIFIED<br>DIMENSIONS ARE IN INCHES<br>TOLERANCES ON | DWN:<br>M.J.                       | DATE<br>09/15/09 |
|   | CHKD:<br>D.N.                      | DATE<br>09/15/09 |
|   | APVD:<br>J.M.                      | DATE<br>09/15/09 |
| DECIMAL   | ANGLE                              |                  |
| REFERENCE:  | MATERIALS & FINISHES:<br>SEE NOTES |                  |
| ORIGINATED: M.J.<br>DATE: 09/15/09                                      |                                    |                  |



APPLIED ENGINEERING PRODUCTS  
 104 John W. Murphy Dr.  
 New Haven, CT 06513

SSMC STRAIGHT JACK  
 P.C.B. MOUNT  
 RECEPTACLE

|            |                   |                          |              |
|------------|-------------------|--------------------------|--------------|
| SIZE<br>A  | FSCM NO.<br>19505 | DWG NO.<br>7009-1511-041 | REV<br>A     |
| SCALE 10:1 |                   | THIRD ANGLE PROJECTION   | SHEET 1 OF 1 |

7009-1511-041