



# 100 MHz LC Lowpass Filter

**Part Number: AE100L8904**



## Electrical specifications

**Cutoff Frequency (FC):** 100 MHz  
**Passband:** 0-100 MHz  
**Insertion loss @ 64-100MHz:** 1 dB Min  
**Insertion loss @ 107MHz:** 3 dB Min  
**Return loss:** 15 dB Max  
**Rejection @ 180-1000 MHz:** 50 dB Max  
**Rejection @ 127 MHz:** 15 dB Max  
**Power Handling:** 50 Watts

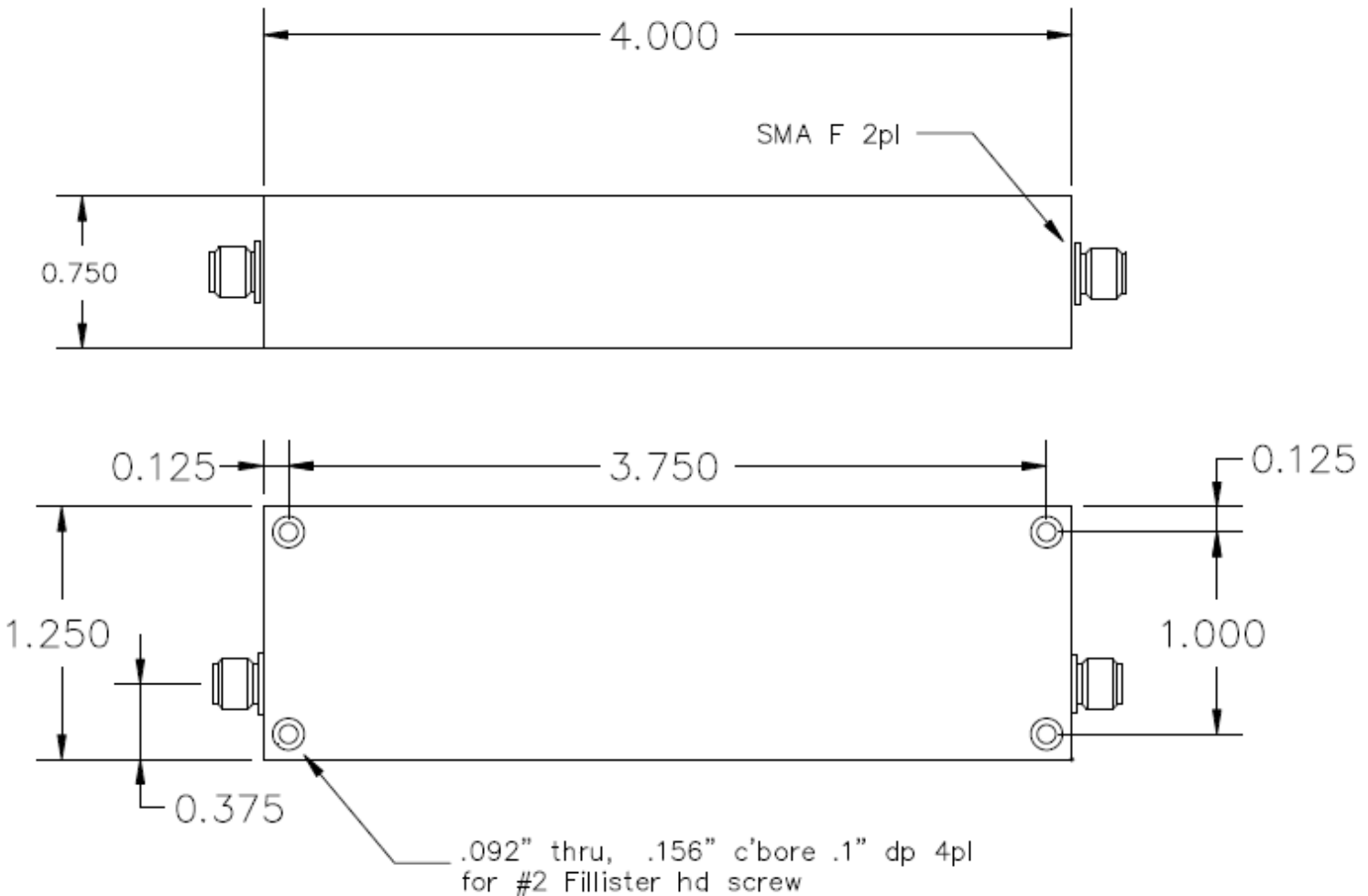
## Mechanical

**Mounting Method:** SMA (F)  
**Dimensions:** 4 x 1.25 x 0.75 Inches

## Environmental

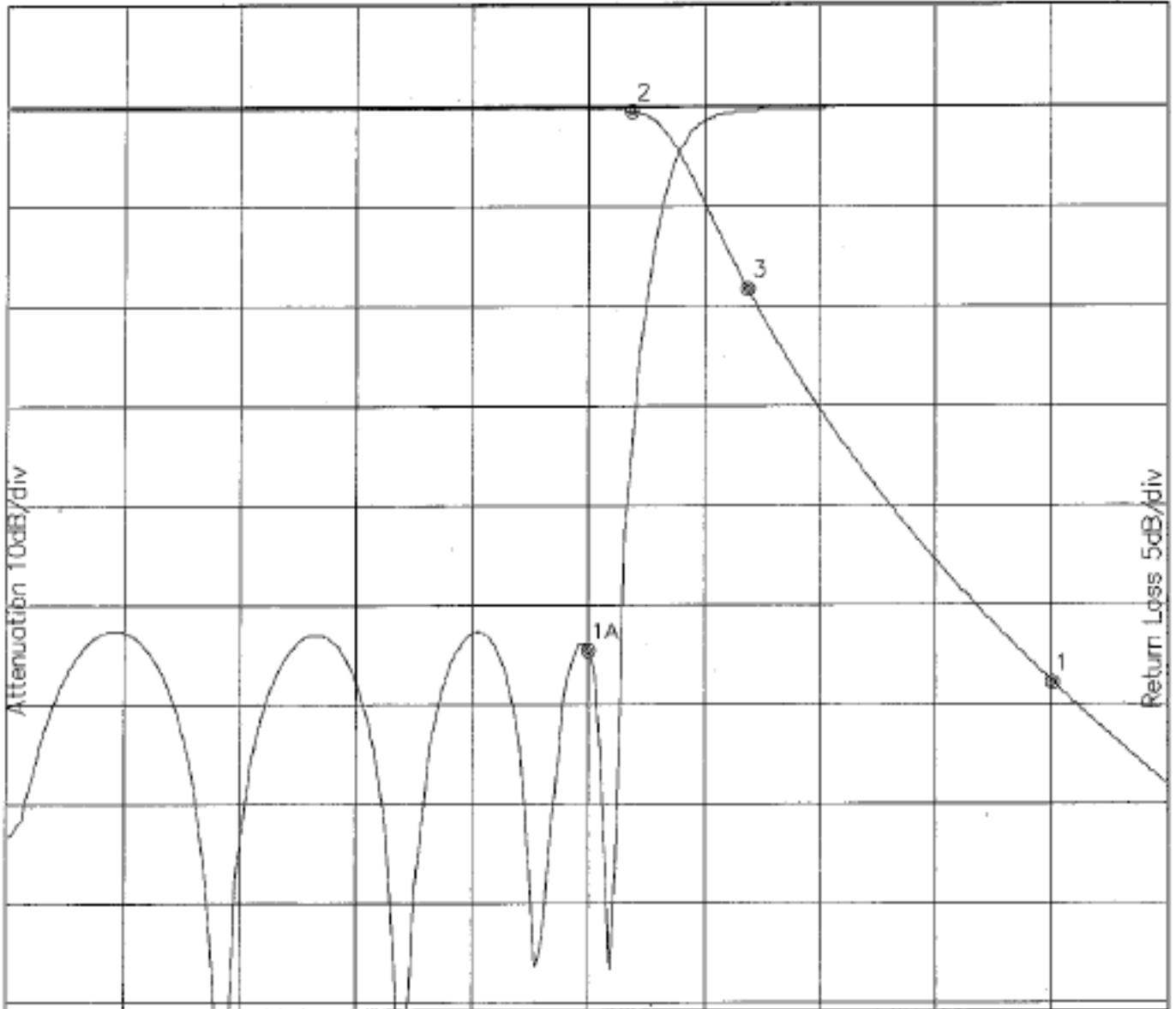
**Operating Temperature:** -40 to +85° C  
**Storage Temperature:** -55 to +95° C

## Outline Drawing:





### Response Plot



Attenuation Start: 0.020Hz Stop: 200.0MHz

Return Loss Start: 0.020Hz Stop: 200.0MHz

Marker 1 Freq 180.29MHz Atten -57.756dB  
Marker 2 Freq 107.27MHz Atten -0.419dB  
Marker 3 Freq 127.30MHz Atten -18.296dB

Marker 1A Freq 99.838MHz Ret Loss -27.336dB