



Go-No Go AC Current Sensing Relay



Specifications

Electrical

Input Supply Voltage: None Required
Pick-Up Range: 5.0 Amps \pm 12%
Power Up Delay: 0.1Sec. Fixed
Drop-Out Range: 4.5 Amps \pm 7%
Drop-Out Delay: None
Frequency: 50/60Hz
Maximum Current:
 200 Amps LRA, 15 Seconds max.
 64 Amps FLA, Continuous
Reset: Automatic
Output Rating @ 25°C:
 10 Amps @ 250VAC, 30VDC (UL)
 300W (D.C.), 2500VA (A.C.) Max.
 switching power (resistive)

6,000 Full Load Electrical Cycles (UL)
 100,000 Full Load Electrical Cycles
 20,000,000 Mechanical Cycles

Physical

Maximum Load Wire Diameter:
 0.560" Dia.
Mounting: Surface or DIN Rail
Termination:
 #16 Stranded Wire Leads
Packaging: Dust Cover
Weight: 18 Oz.

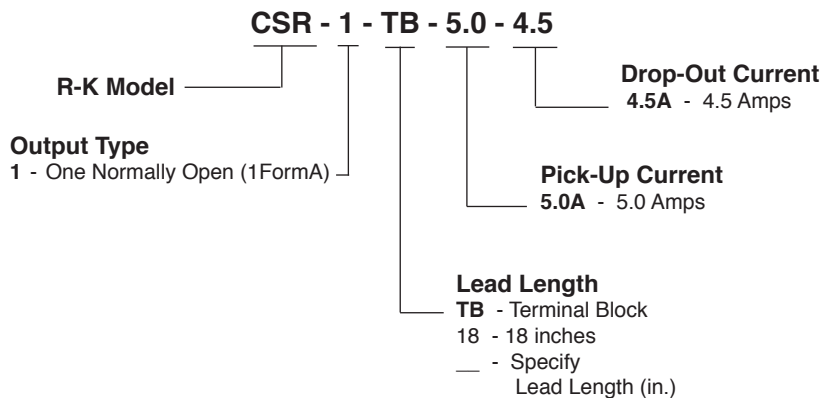
Ambient Temperatures

Operating: 0°C to 55°C
 Storage: -10°C to 85°C



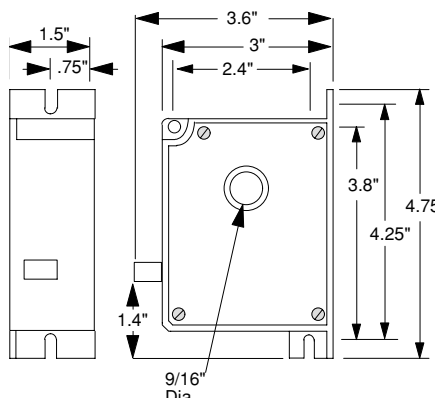
- Self Powered
- 4 to 200 Amps AC
- 10 Amp Contact
- Screw Terminals or Stranded Wire Leads
- Large Wire Thru Hole
- DIN Rail Mountable
- Compact Design
- Low Cost

Ordering Information

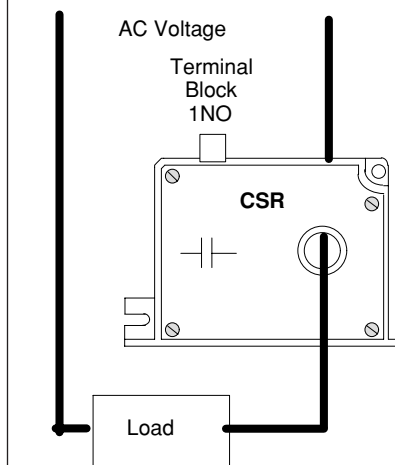


DIN Rail Bracket #DRB-4

Dimensions



Connections



Also UL Recognized Component as a Current Sensitive Relay under file E157410.

Operation

AC Current Sensing

The CSR generates its own operating power supply from the monitored current line. No external power supply is needed. A current greater than the pick-up current is required to energize the output relay. The output relay will stay energized until the current in the line being monitored drops below the drop-out current level for the CSR.

