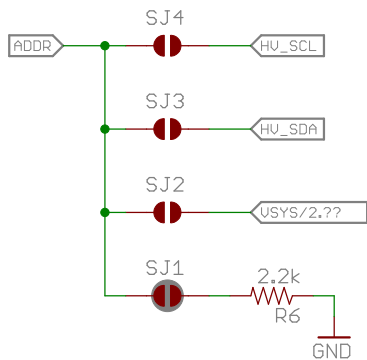


Note: Bus Selection Default to I2C-1



I2C Address can be set by jumpers.
 One and only one jumper should be closed.
 Jumper closed Device address
 SJ1 (Default) 1001000 (0x48)
 SJ2 1001001 (0x49)
 SJ3 1001010 (0x4A)
 SJ4 1001011 (0x4B)

Revised 3/15 - Casey (adding Vref 3.3V, IC still uses internal VREF)

Released under the Creative Commons Attribution Share-Alike 4.0 License https://creativecommons.org/licenses/by-sa/4.0/	⊗ ⊗ ⊗ ⊗
TITLE: ADC-Block-v20	
Design by: M Hord	REV: v20
Date: not saved!	Sheet: 1/2

