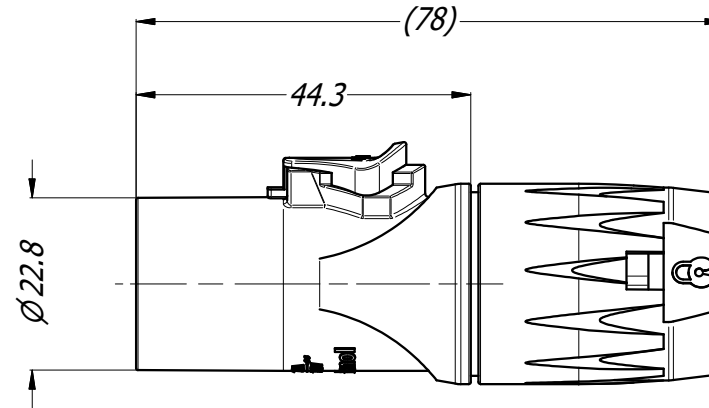
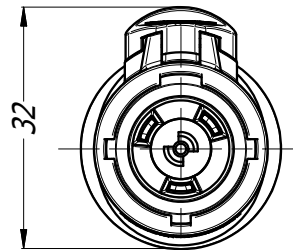
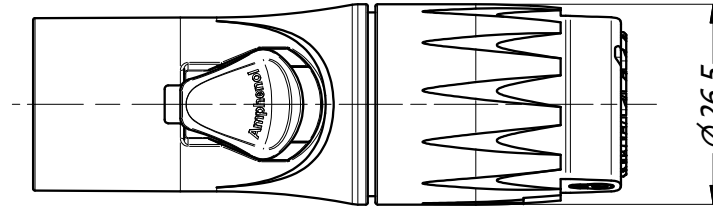


**3D VIEW**  
3:4



**PATENTS AND APPLICATIONS :**

US 10186804  
 US D839193  
 US 10823914B2  
 EP 3514892B1  
 JP 6705027B2  
 DE 102018101431A1  
 HK 40009428A  
 CN 110071397A  
 EP 3641070A1

**NOTES:**

- CABLE OD RANGE;  
 - BIG GROMMET: 9.0 -12.0 MM OD  
 - SMALL GROMMET: 6.0- 9.0 MM OD
- BACKSHELL TORQUE: 3.1 Nm

UNLESS OTHERWISE SPECIFIED  
TOLERANCE TO BE

LINEAR	ANGULAR
X ± 0.5	X' ± 1
X.X ± 0.1	X.X' ± 30'
X.X ± 0.05	X.X'X" ± 15'

BREAK ALL SHARP EDGES  
AND REMOVE ALL BURRS

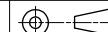
DO NOT SCALE

DIMENSIONS IN MILLIMETRES

THIS DOCUMENT IS THE PROPERTY OF AMPHENOL AUSTRALIA PTY. LTD.  
 . NO PART THEREOF MAY BE REPRODUCED AND USED  
 WITHOUT THE PRIOR WRITTEN CONSENT OF THE OWNER.

MATERIAL:

FINISH:



THIRD ANGLE  
PROJECTION

DRN: T.N	DATE: 26/07/19
CKD: P.M	DATE: 26/07/19
APP'D: P.M	DATE: 26/07/19
SCALE: <b>1:1</b>	SIZE: <b>A4</b>

**Amphenol**

Amphenol Australia Pty.Ltd,  
22 Industry Blvd, Carrum Downs VIC 3201

TITLE:

**CABLE CONNECTOR  
 MALE HPT SERIES  
 CABLE OD 6.0 -12.0mm**

PART No:

**HPT-3-M**

DRAWING No.

**55011197-000-2**

REV

**4**

SHEET

**2/2**