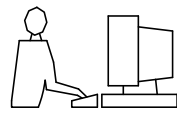


THIS IS A C.A.D. GENERATED DRAWING  
DO NOT MAKE MANUAL REVISIONS TO MASTER.



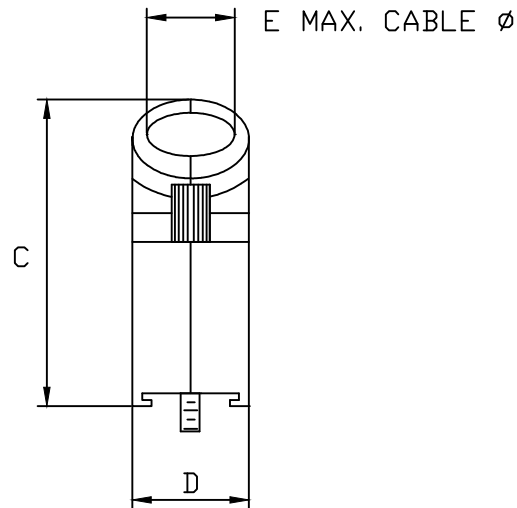
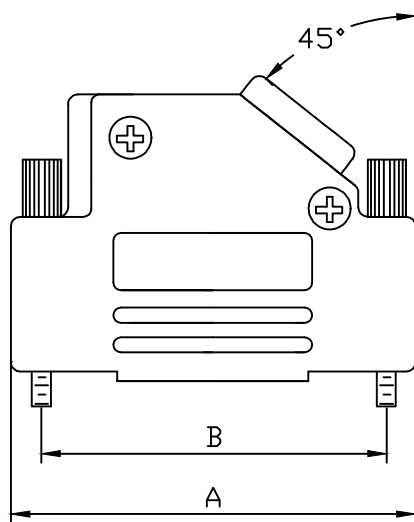
\* UNLESS OTHERWISE SPECIFIED TOLERANCES  
ON DECIMAL IS:

**BACKSHELL KIT INCLUDES:**

- (2)BACKSHELL HALVES
- (2)4-40 THUMBSCREWS
- (2)HOUSING SCREWS
- (1)SET OF COMPRESSION INSERTS-(9 POSITION~37 POSITION)  
DIAMETERS:4mm(.157"),5mm(.197"),7mm(.276"),9mm(.351")
- (1)SET OF COMPRESSION INSERTS-(50 POSITION)  
DIAMETERS:11mm(.433"),12.5mm(.492"),14mm(.551"),15mm(.591")

NOTE: 9 POSITION HAS ONLY 1 THUMBSCREW  
(OPPOSITE CABLE ENTRY)  
50 POSITION HAS 1 METAL CLAMP  
AND 2 CLAMP SCREWS

DIMENSIONS(mm/in)					
SIZE	A $\pm 1.0$ ( $\pm 0.04$ )	B $\pm 0.25$ ( $\pm 0.01$ )	C $\pm 1.8$ ( $\pm 0.07$ )	D $\pm 0.5$ ( $\pm 0.02$ )	E
9	31.0	24.99	36.3	14.5	13.0
	1.22	0.984	1.43	0.57	0.51
15	39.5	33.32	40.3	14.5	13.0
	1.56	1.312	1.59	0.57	0.51
25	53.2	47.04	40.3	14.5	13.0
	2.09	1.852	1.59	0.57	0.51
37	69.7	63.50	40.3	14.5	13.0
	2.74	2.500	1.59	0.57	0.51
50	67.4	61.11	44.9	17.4	17.0
	2.65	2.406	1.77	0.69	0.67



**ORDERING INFORMATON:**

SIZE	P/N - KITTED	PRODUCT CODE
9-WAY	6560-0106-11	MHD45ZK-09-K
15-WAY	6560-0106-12	MHD45ZK-15-K
25-WAY	6560-0106-13	MHD45ZK-25-K
37-WAY	6560-0106-14	MHD45ZK-37-K
50-WAY	6560-0106-15	MHD45ZK-50-K

SIZE	P/N - BULK	PRODUCT CODE
9-WAY	6561-0106-11	MHD45ZK-09
15-WAY	6561-0106-12	MHD45ZK-15
25-WAY	6561-0106-13	MHD45ZK-25
37-WAY	6561-0106-14	MHD45ZK-37
50-WAY	6561-0106-15	MHD45ZK-50

MATERIAL: DIE CAST ZINC ALLOY  
NICKEL PLATED  
4-40 THUMBSCREWS:STEEL-Zn PLATED  
HOOD SCREWS:STEEL-Zn PLATED  
CLAMP:STEEL-NICKEL PLATED  
CLAMP SCREWS:STEEL-Zn PLATED  
COMPRESSION INSERTS:ABS UL RECOGNIZED  
OPERATING TEMP:-40°C TO+120°C

THESE DRAWINGS AND SPECIFICATIONS ARE THE  
PROPERTY OF MH CONNECTORS AND SHALL NOT BE  
REPRODUCED, COPIED OR USED AS THE BASIS FOR  
THE MANUFACTURE OR SALE OF APPARATUS WITHOUT  
WRITTEN PERMISSION.

DRAWN  
Johnny  
DATE  
11-24-15

APPROVED  
VICTOR  
DATE  
11-24-15

SCALE  
1 : 1  
SHEET OF  
1 OF 1  
REV:  
8.0

DRAWING No  
MHD45ZK SERIES

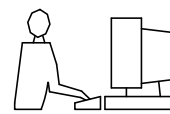


THIS SERIES FULLY CONFORMS TO THE  
EUROPEAN UNION DIRECTIVES 2002/95/EC  
AND 2002/96/EC FOR RoHS COMPLIANCY.

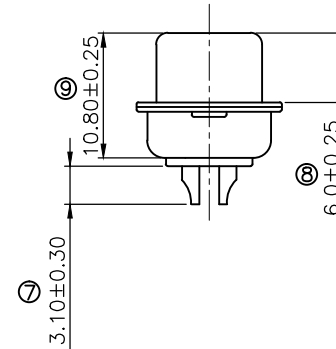
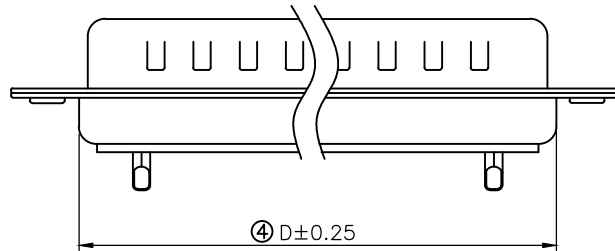
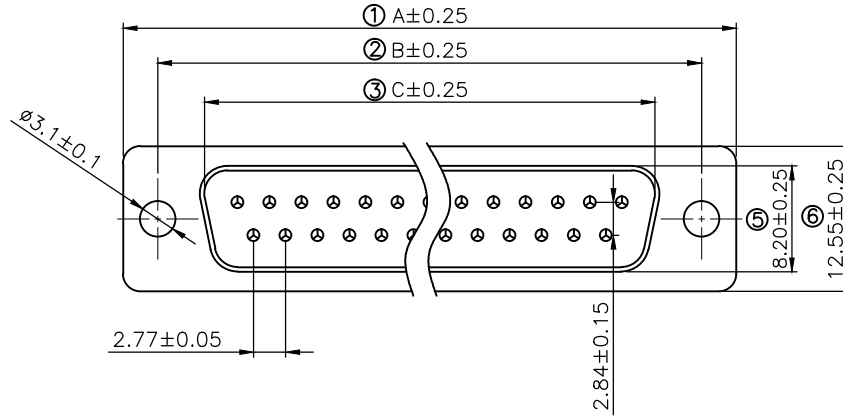


**MH CONNECTORS ,  
DIVISION OF EDAC**

THIS IS A C.A.D. GENERATED DRAWING  
DO NOT MAKE MANUAL REVISIONS TO MASTER.



\* UNLESS OTHERWISE SPECIFIED TOLERANCES  
ON DECIMAL IS: ANGLE  $\pm 1^\circ$   
.X  $\pm 0.15$   
.XX  $\pm 0.05$



Remark:

1.SPECIFICATION:

Rated voltage:250V  
Rates current:5AMP  
Contact resistance:20M $\Omega$  MAX  
Insulation resistance:1000M $\Omega$  MIN.at 500V DC  
Withstand voltage:500V Per minute  
Temperature range:-55 -105  $^\circ\text{C}$

2.MATERIAL:

Plastic:PBT+30% G.F (UL94V-0) BLACK  
Terminal:brass ,tin-gold plated  
Spcc shell:Spcc front shell is ni plated back shell is tin plated

PN	PIN	A	B	C	D
MHDB9SP	09	30.81	24.99	16.92	19.28
MHDB15SP	15	39.25	33.32	25.25	27.75
MHDB25SP	25	53.03	47.04	38.96	41.30
MHDB37SP	37	69.50	63.50	55.42	57.40

THESE DRAWINGS AND SPECIFICATIONS ARE THE PROPERTY OF MH CONNECTORS LTD. AND SHALL NOT BE REPRODUCED, COPIED OR USED AS THE BASIS FOR THE MANUFACTURE OR SALE OF APPARATUS WITHOUT WRITTEN PERMISSION.

DRAWN Johnny	DATE 07-16-12
-----------------	------------------

APPROVED DAMIEN	DATE 01-15-14
--------------------	------------------

SCALE 1:1	SHEET OF 1 OF 1	REV: 2.0
--------------	--------------------	-------------

DRAWING No  
MHDB SP



THIS SERIES FULLY CONFORMS TO THE EUROPEAN UNION DIRECTIVES 2002/95/EC AND 2002/96/EC FOR RoHS COMPLIANCY.



MH CONNECTORS LTD.