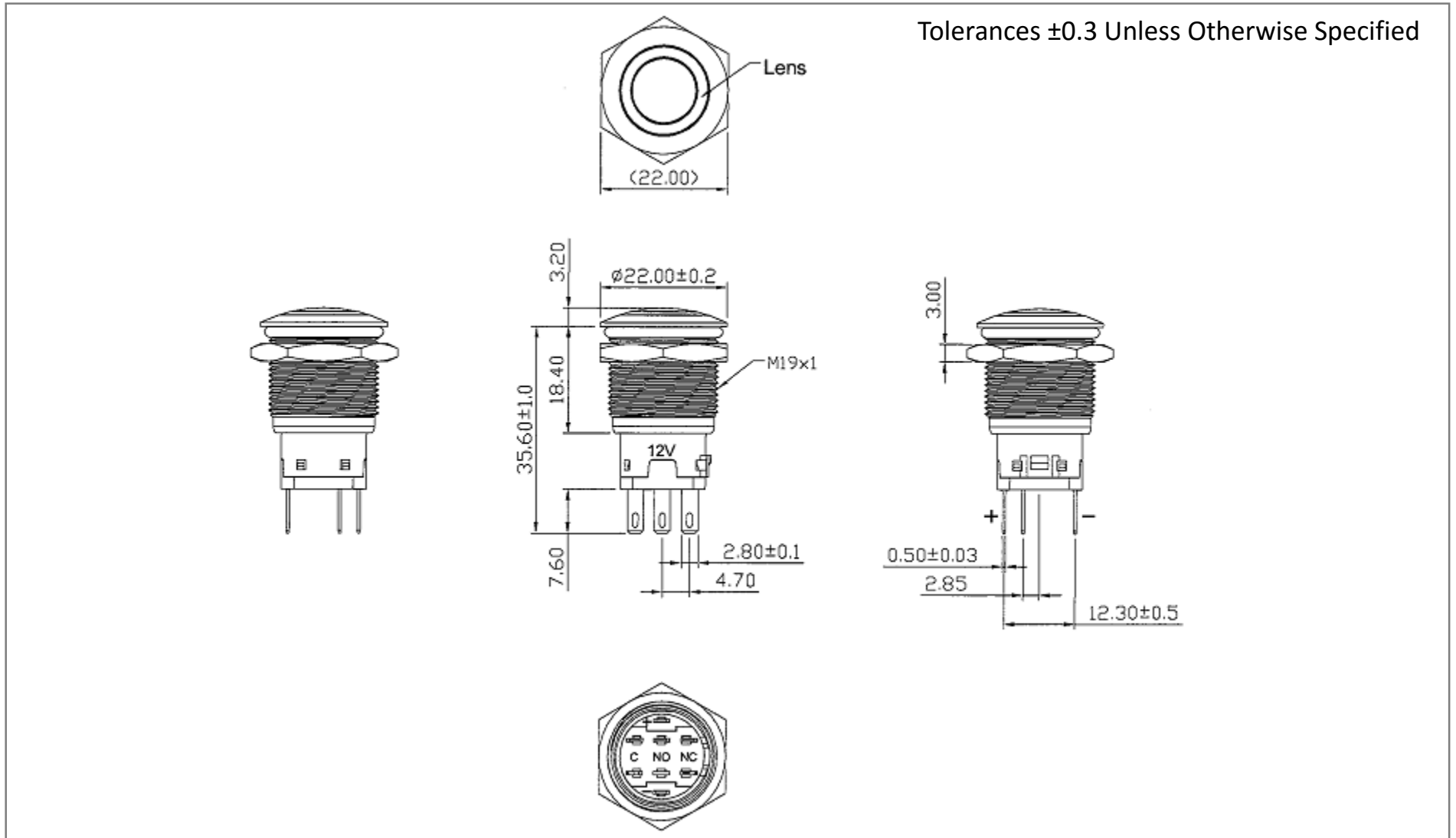
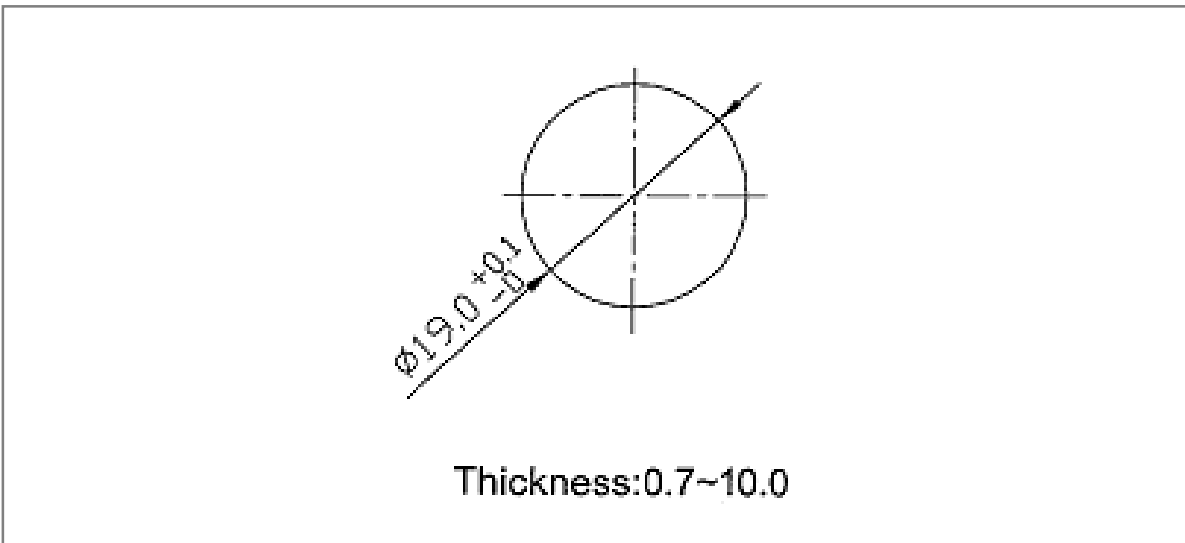


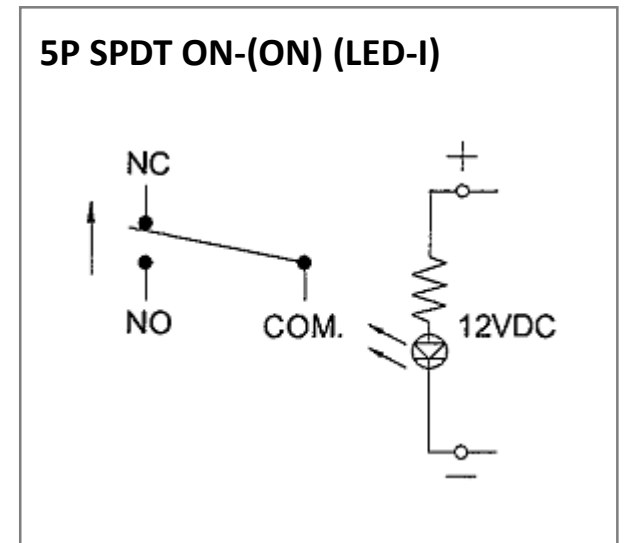
Mechanical Dimensions (mm)



Mounting Hole



Circuit Diagram



Electrical Specifications

Rating	10A 14V DC
Contact Resistance	50m ohm Max.
Insulation Resistance	DC 500V 100M ohm Min.
Dielectric Strength	AC 500V 1 minute
Operation Temperature	-20°C~70°C

Material Specifications

Frame/Actuator/Hex Nut	SUS304
Lens	PC, Blue clear
LED	Blue, Independent
Housing	Black, PA#66
Bottom (Waterproof)	Black, PBT+15%GF (IP67)