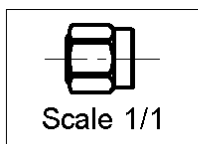
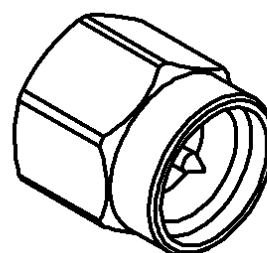
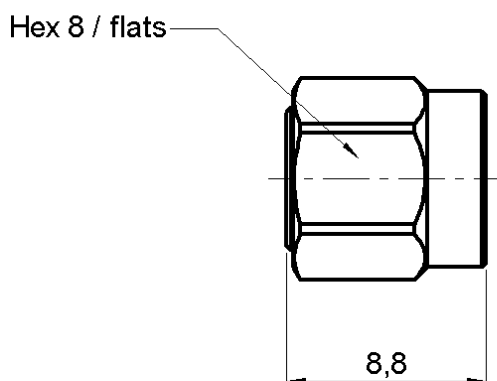


**MALE CAP  
SHORT CIRCUIT**

**R125.852.000**

Series : SMA



All dimensions are in mm.



| COMPONENTS            | MATERIALS              | PLATINGS (µm)                 |
|-----------------------|------------------------|-------------------------------|
| <b>BODY</b>           | <b>STAINLESS STEEL</b> | <b>GOLD 0.5 OVER NICKEL 2</b> |
| <b>CENTER CONTACT</b> | -                      | -                             |
| <b>OUTER CONTACT</b>  | -                      | -                             |
| <b>INSULATOR</b>      | -                      | -                             |
| <b>GASKET</b>         | <b>SILICONE RUBBER</b> |                               |
| <b>OTHERS PARTS</b>   | <b>STAINLESS STEEL</b> | <b>GOLD 0.5 OVER NICKEL 2</b> |
| -                     | -                      | -                             |
| -                     | -                      | -                             |

Issue : 0311 G

In the effort to improve our products, we reserve the right to make changes judged to be necessary.



**MALE CAP  
SHORT CIRCUIT**

**R125.852.000**

Series : SMA

**PACKAGING**

**SPECIFICATION**

| Standard   | Unit              | Other             |
|------------|-------------------|-------------------|
| <b>100</b> | <b>'W' option</b> | <b>Contact us</b> |

**ELECTRICAL CHARACTERISTICS**

**ENVIRONMENTAL**

|                                 |      |              |                          |
|---------------------------------|------|--------------|--------------------------|
| Impedance                       |      | NA           | $\Omega$                 |
| Frequency                       |      | NA           | GHz                      |
| VSWR                            | NA + | <b>0.000</b> | x F(GHz) Maxi            |
| Insertion loss                  |      | NA           | $\sqrt{F}$ (GHz) dB Maxi |
| RF leakage                      | - (  | NA           | - F(GHz)) dB Maxi        |
| Voltage rating                  |      | NA           | Veff Maxi                |
| Dielectric withstanding voltage |      | NA           | Veff mini                |
| Insulation resistance           |      | NA           | M $\Omega$ mini          |

|                       |                 |              |
|-----------------------|-----------------|--------------|
| Operating temperature | <b>-65/+165</b> | $^{\circ}$ C |
| Hermetic seal         | NA              | Atm.cm3/s    |
| Panel leakage         | NA              |              |

**OTHERS CHARACTERISTICS**

Assembly instruction

Others :

**MECHANICAL CHARACTERISTICS**

|                            |              |        |      |
|----------------------------|--------------|--------|------|
| Center contact retention   |              |        |      |
| Axial force – Mating end   | NA           | N      | mini |
| Axial force – Opposite end | NA           | N      | mini |
| Torque                     | NA           | N.cm   | mini |
| Recommended torque         |              |        |      |
| Mating                     | NA           | N.cm   |      |
| Panel nut                  | NA           | N.cm   |      |
| Mating life                | <b>500</b>   | Cycles | mini |
| Weight                     | <b>2.500</b> | g      |      |

Issue : 0311 G

In the effort to improve our products, we reserve the right to make changes judged to be necessary.

