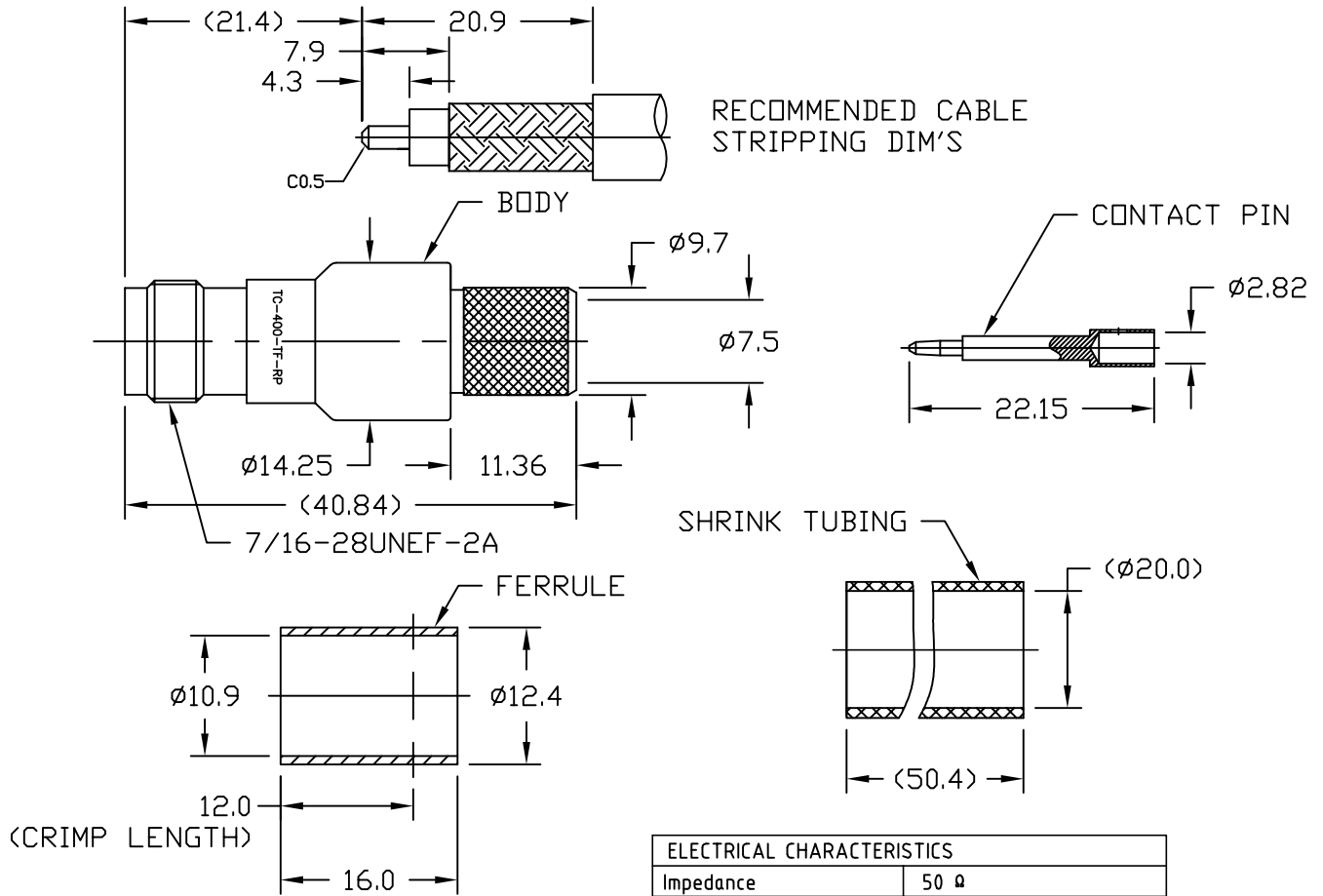


**NOTICE OF PROPRIETARY RIGHTS** THIS DOCUMENT CONTAINS CONFIDENTIAL TECHNICAL DATA, INCLUDING TRADE SECRETS, PROPRIETARY TO TIMES MICROWAVE SYSTEMS. DISCLOSURE OF THIS DATA IS EXPRESSLY CONDITIONED UPON YOUR ASSENT THAT ITS USE IS LIMITED TO USE WITHIN YOUR COMPANY ONLY. ANY OTHER USE IS STRICTLY PROHIBITED WITHOUT THE PRIOR WRITTEN CONSENT OF TIMES MICROWAVE SYSTEMS.

SYM	REVISION DESCRIPTION	DFTM	DATE	APPD	DATE
A	RELEASED FOR PRODUCTION	N. N. N	7/6/15	J. D. B.	7/7/15
B	CHANGED PER CDC #48617	D. J. H.	3/12/18	D. A. R.	3/14/18



- REMARKS:  
 1. CRIMPED FERRULE HEX. CRIMP SIZE .429"  
 2. CONTACT PIN TO SOLDER

MATERIALS AND PLATING		UNIT: MICRO-INCHES
BODY	BRASS C3604	NICKEL 200u" / COPPER
CONTACT PIN	BRASS C3604	GOLD 30u" / NICKEL / COPPER
INSULATOR	TEFLON MIL-P-19468	NATURAL
FERRULE	BRASS	NICKEL 200u" / COPPER

MECHANICAL CHARACTERISTICS	
Force to engage and disengage	N/A
Center contact retention force	N/A
Coupling torque	N/A
Coupling nut retention force	N/A
Durability	≥ 500 cycles

ELECTRICAL CHARACTERISTICS	
Impedance	50 Ω
Voltage rating	500V(rms)
Frequency range	0~4GHz
Dielectric withstanding voltage	1000V
Contact resistance	Center contact ≤ 3mΩ Outer contact ≤ 2mΩ
Insulation resistance	≥ 5000MΩ
Insertion loss	According as the cable
RF-leakage	N/A
VSWR	1.25 MAX(0-2.5GHz)
3rd Intermodulation	N/A

ENVIRONMENTAL CHARACTERISTICS	
Temperature range	-55°C - +125°C
Vibration	MIL-STD-202, Method 202, Cond D
Shock	MIL-STD-202, Method 202
Corrosion	MIL-STD-202, Method 101, Cond B

MATL: SEE ABOVE	UNLESS OTHERWISE SPECIFIED	DFTM. N. N. N	TIMES MICROWAVE SYSTEMS
	ALL DIMENSIONS ARE IN mm UNLESS OTHERWISE SPECIFIED: 1) EDGES C0.15 MAX; 2) REMOVE ALL BURRS; 3) SURFACE ROUGHNESS Ra1.6; 4) UNITS mm; 5) DIMENSIONS TOLERANCES DECIMALS ANGLES .x ±0.3 ±5° .xx ±0.2	DATE 7/6/15	
USED ON: 0-2		CHKD. J. D. B.	TC-400-TF-RP Reverse Polarity TNC F for LMR-400
		DATE 7/7/15	
SCALE: ~	DWG. SIZE A	APPD. J. D. B.	1 of 1   SD3190-1063   B
	DO NOT SCALE DRAWING	DATE 7/7/15	
	CODE IDENT 68999		