

1

2

3

4

A

A

B

B

C

C

D

D

U\_RPi-Headers  
RPi-Headers.SchDoc



U\_SC  
SC.SchDoc



U\_FPGA\_B34  
FPGA\_B34.SchDoc



U\_FPGA\_B35  
FPGA\_B35.SchDoc



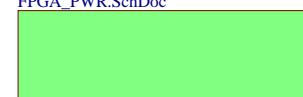
U\_FPGA\_MIO  
FPGA\_MIO.SchDoc



U\_FPGA\_RAM  
FPGA\_RAM.SchDoc



U\_FPGA\_PWR  
FPGA\_PWR.SchDoc



U\_DDR3-RAM  
DDR3-RAM.SchDoc



U\_USB-PHY  
USB-PHY.SchDoc



U\_PowerSupply  
PowerSupply.SchDoc



U\_FTDI  
FTDI.SchDoc



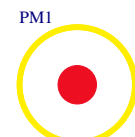
U\_RPI\_USB\_HUB  
RPi-USB-HUB.SchDoc



U\_RPI\_CAM\_LCD  
RPi-CAM-LCD.SchDoc



U\_RPI\_USB\_ETH\_CON  
RPi-USB-ETH-CON.SchDoc



FIDU-DOT - small



FIDU-DOT - small



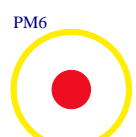
FIDU-DOT - small



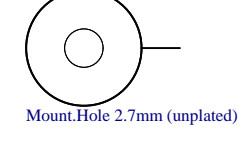
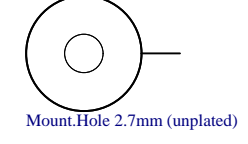
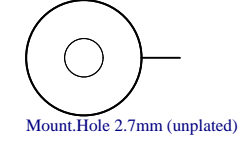
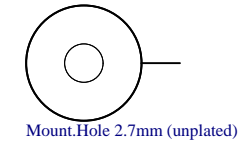
FIDU-DOT - small



FIDU-DOT - small



FIDU-DOT - small



Serial  
Serialnumber 6,3 x 6.3mm

Assembly variant	41164-A
Created by	MR
Modified by	MR
Modified at	2021-01-21
SVN Revision	695



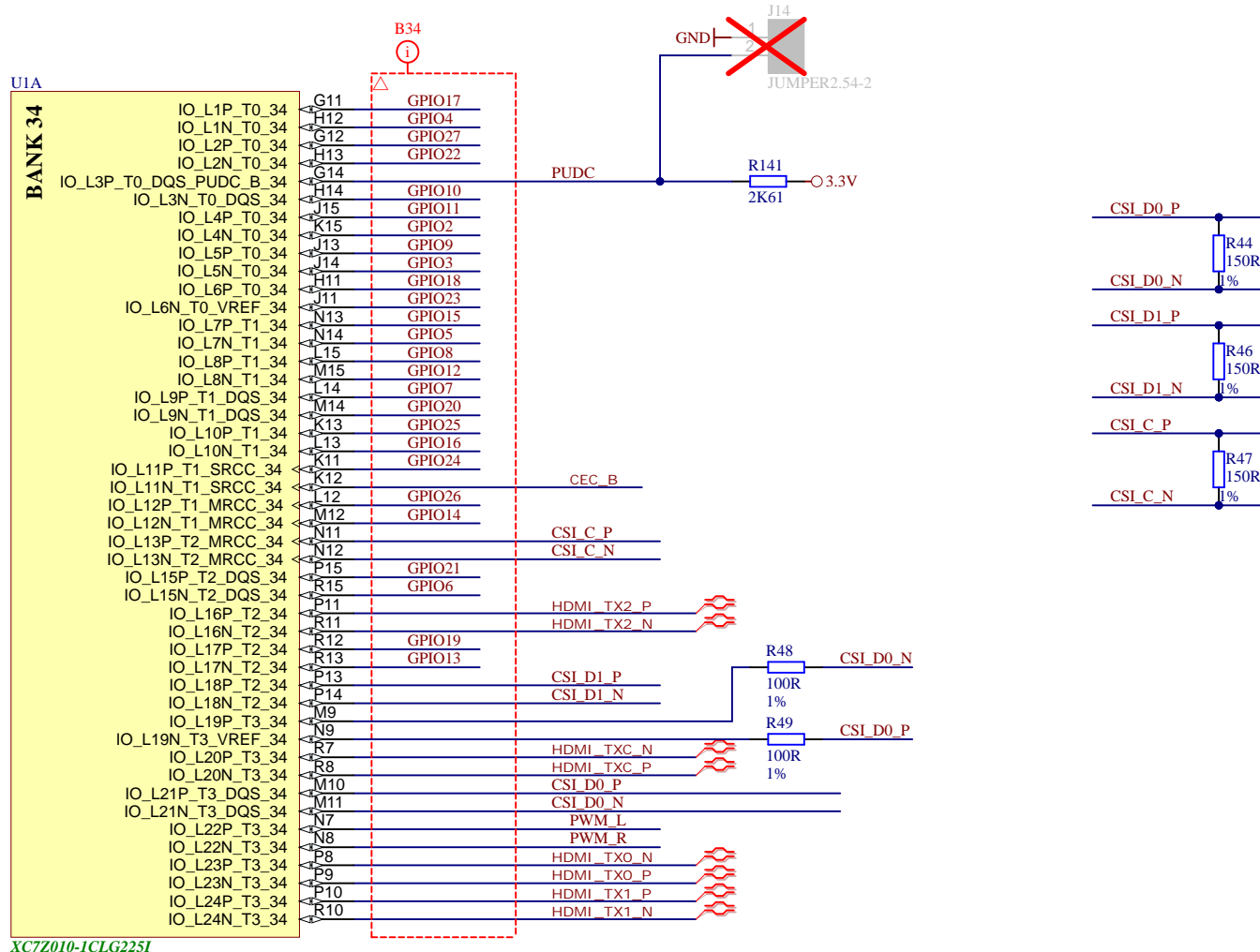
Title: TE0726		
A4	Number: TE0726 41164-A	Rev. 03
Date: 2016-05-06	Copyright: Trenz Electronic GmbH	Page1 of 14
Filename: TE0726.SchDoc		

1

2

3

4



XC7Z010-1CLG225I



Title: TE0726 - FPGA B34		
A4	Number: TE0726 41164-A	Rev. 03
Date: 2016-05-06	Copyright: Trenz Electronic GmbH	Page2 of 14
Filename: FPGA_B34.SchDoc		

1

2

3

4

A

A

B

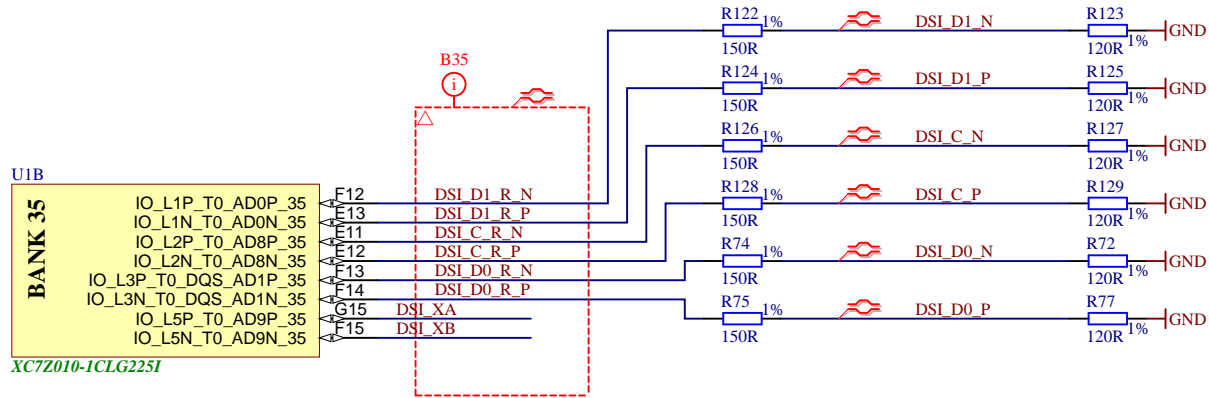
B


C

C

D

D



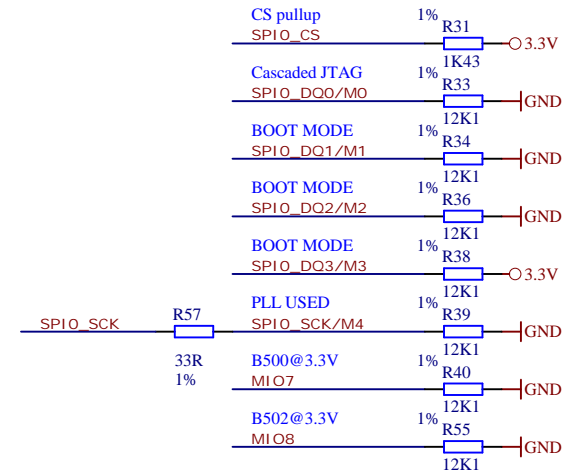
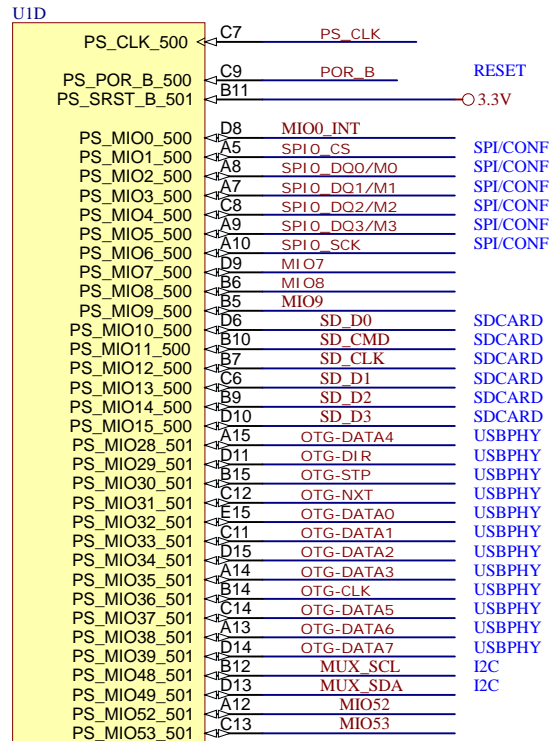
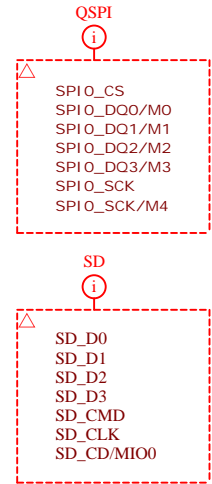
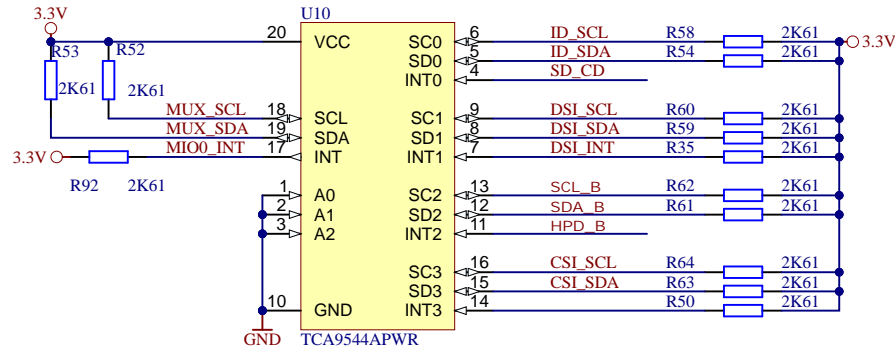
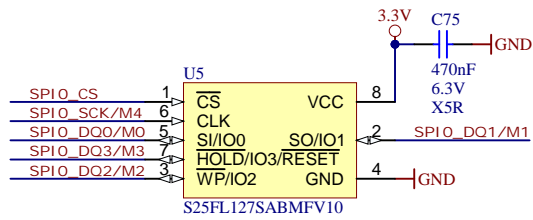
	Title: <b>TE0726 - FPGA B35</b>		
	A4	Number: <b>TE0726 41164-A</b>	Rev. <b>03</b>
	Date: <b>2016-05-06</b>	Copyright: <b>Trenz Electronic GmbH</b>	Page <b>3</b> of <b>14</b>
	Filename: <b>FPGA_B35.SchDoc</b>		

1

2

3

4

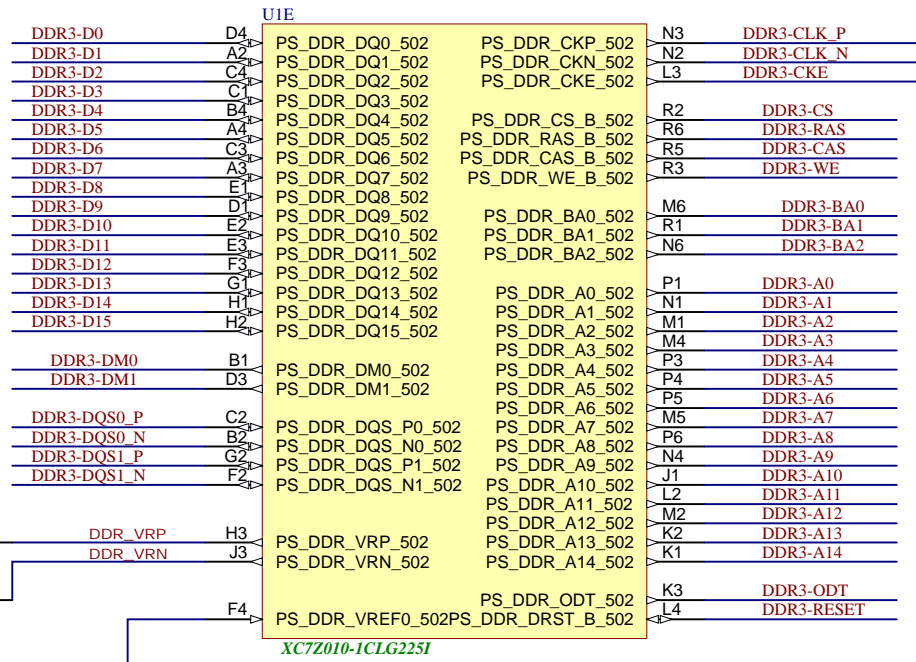


XC7Z010-1CLG225I

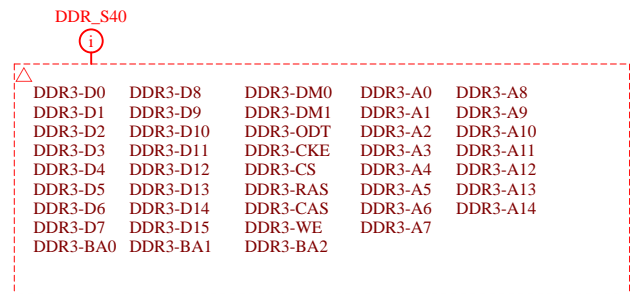
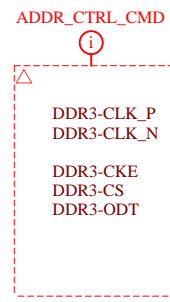
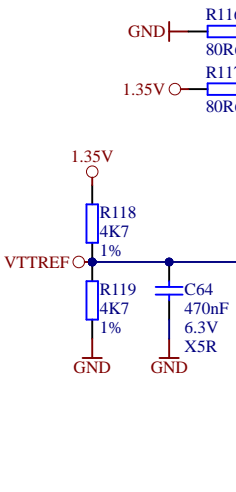


Title: TE0726 - FPGA MIO		
A4	Number: TE0726 41164-A	Rev. 03
Date: 2016-05-06	Copyright: Trenz Electronic GmbH	Page4 of 14
Filename: FPGA_MIO.SchDoc		



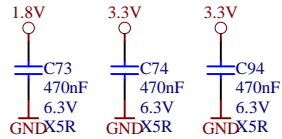
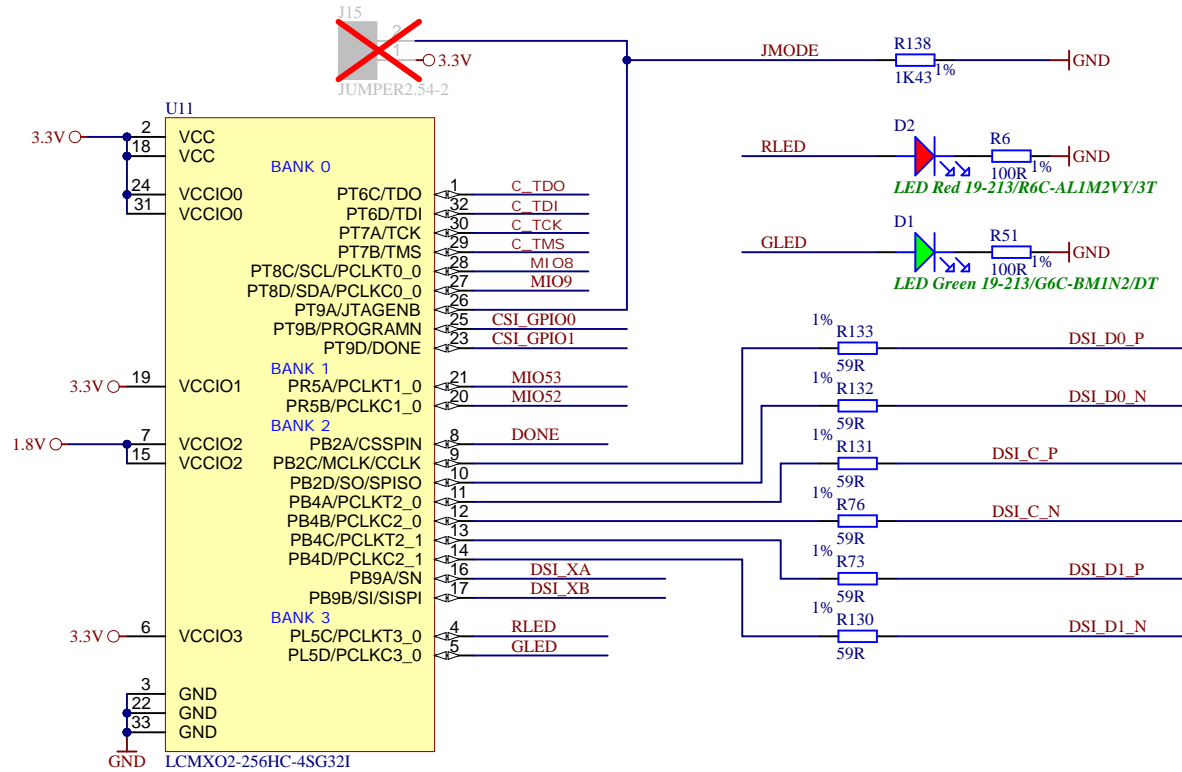


XC7Z010-1CLG225I



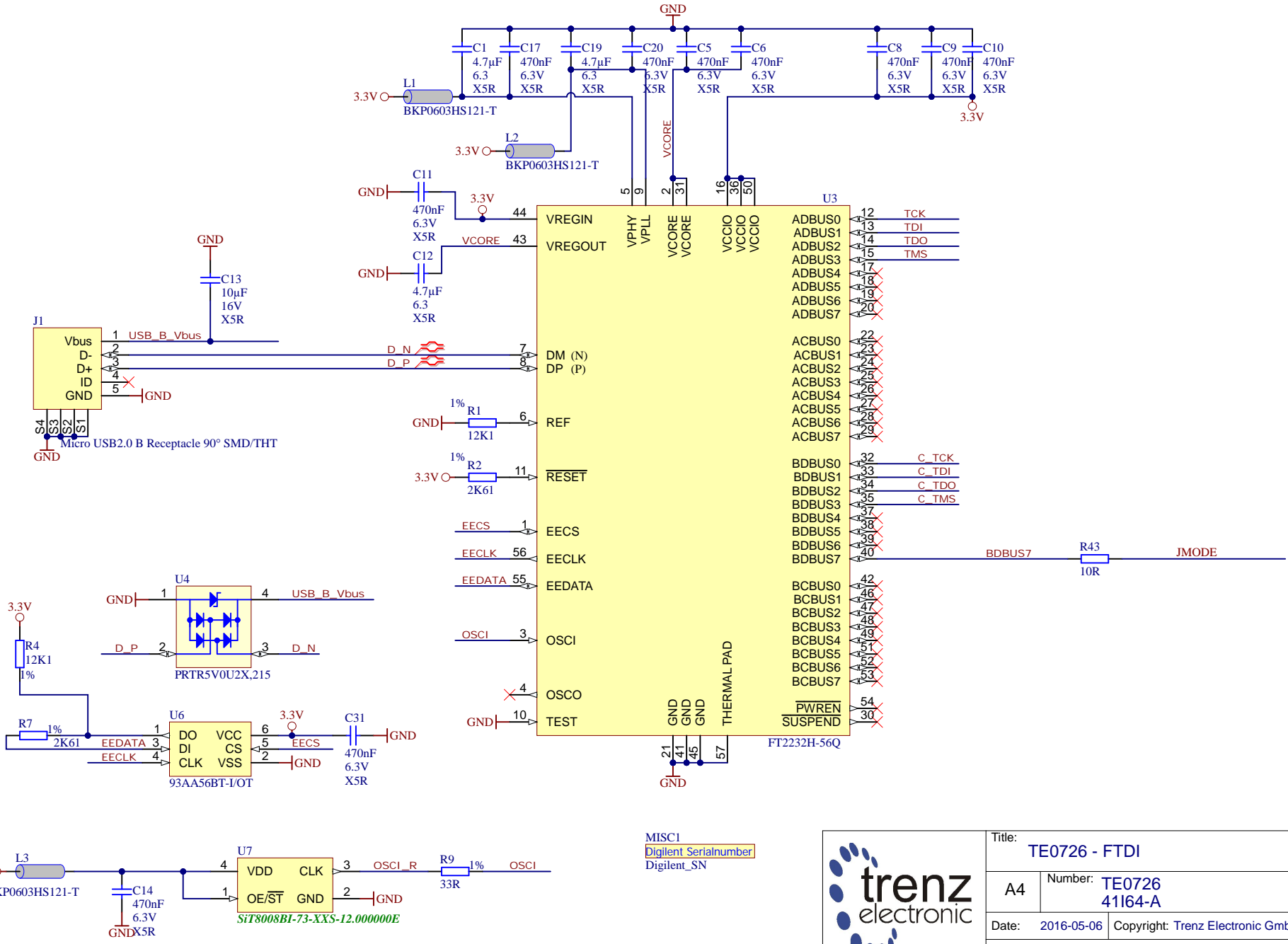
Title: TE0726 - FPGA RAM		
A4	Number: TE0726 41164-A	Rev. 03
Date: 2016-05-06	Copyright: Trenz Electronic GmbH	Page 6 of 14
Filename: FPGA_RAM.SchDoc		





	Title: TE0726 - CPLD		
	A4	Number: TE0726 41164-A	Rev. 03
	Date: 2016-05-06	Copyright: Trenz Electronic GmbH	Page 8 of 14
	Filename: SC.SchDoc		

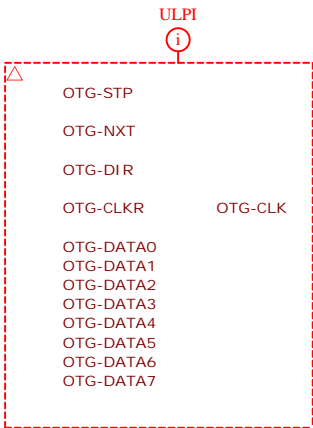
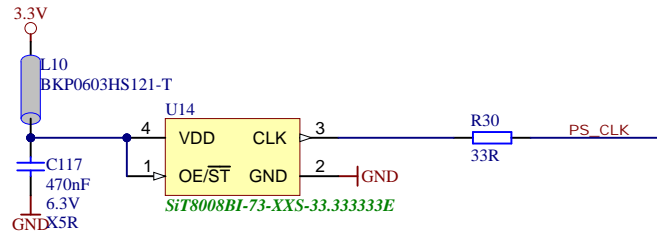
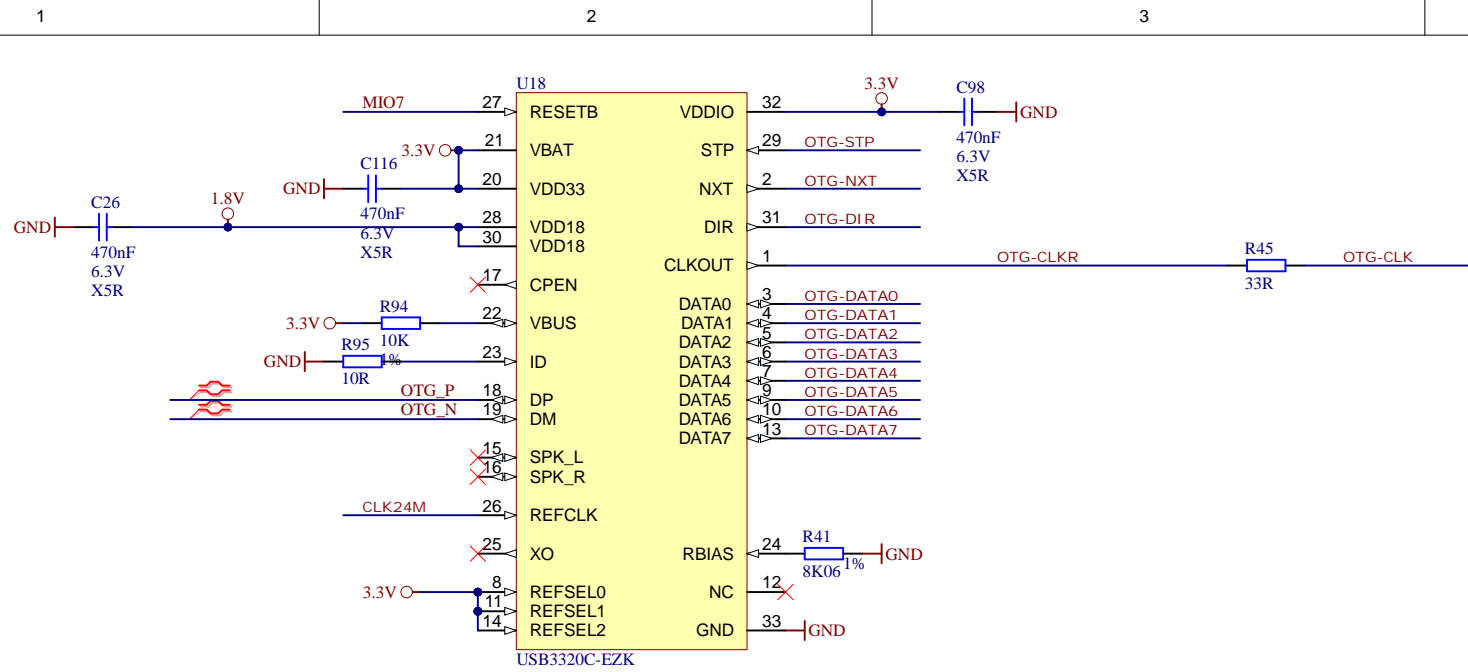




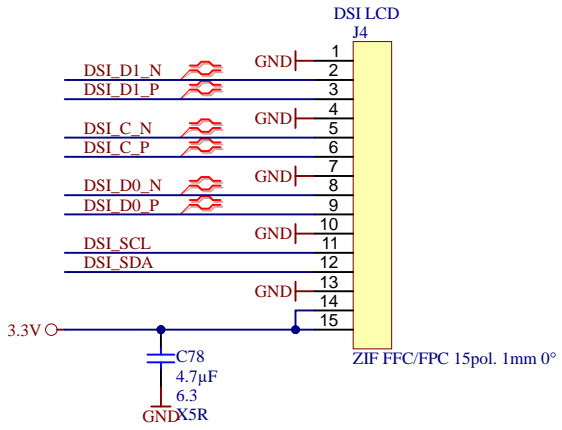
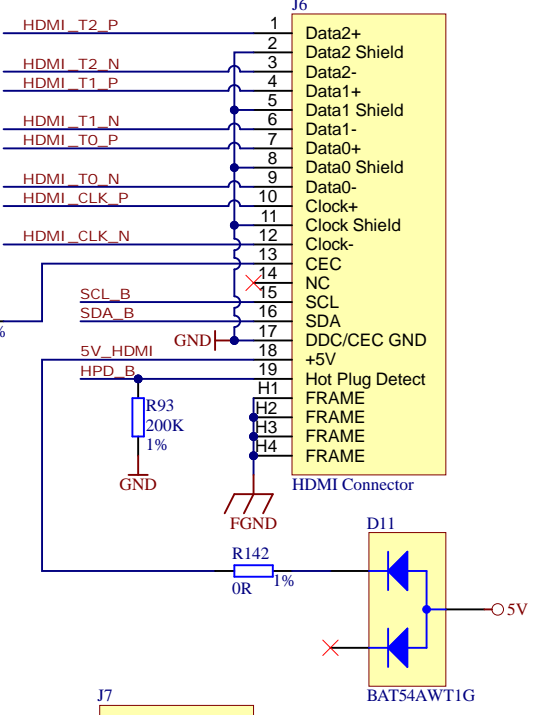
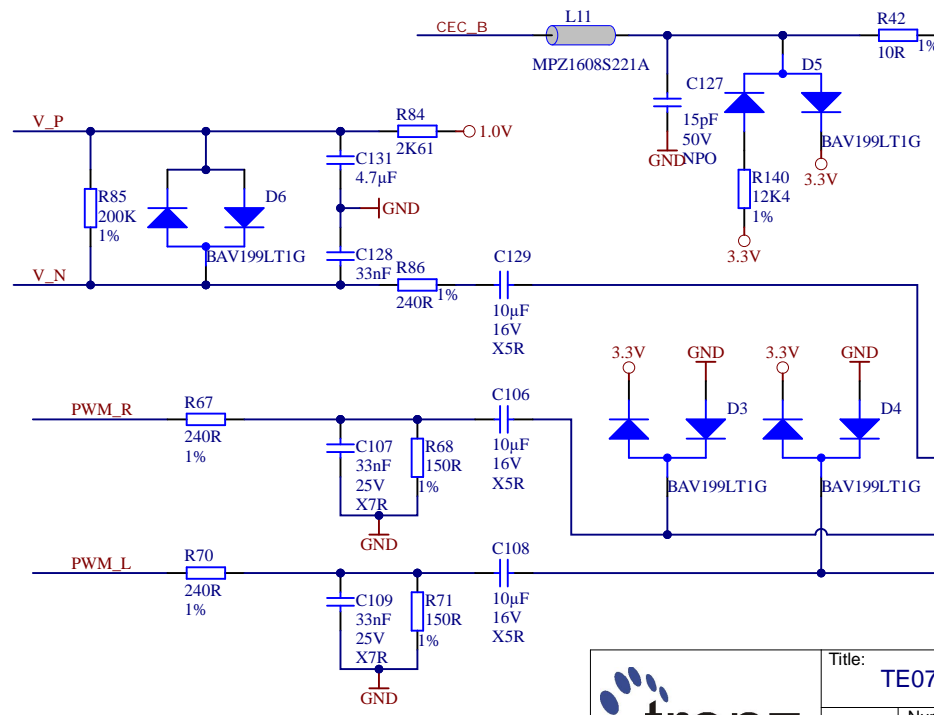
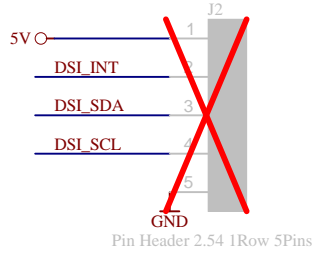
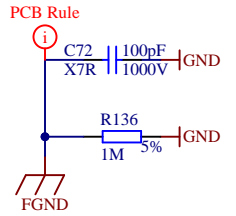
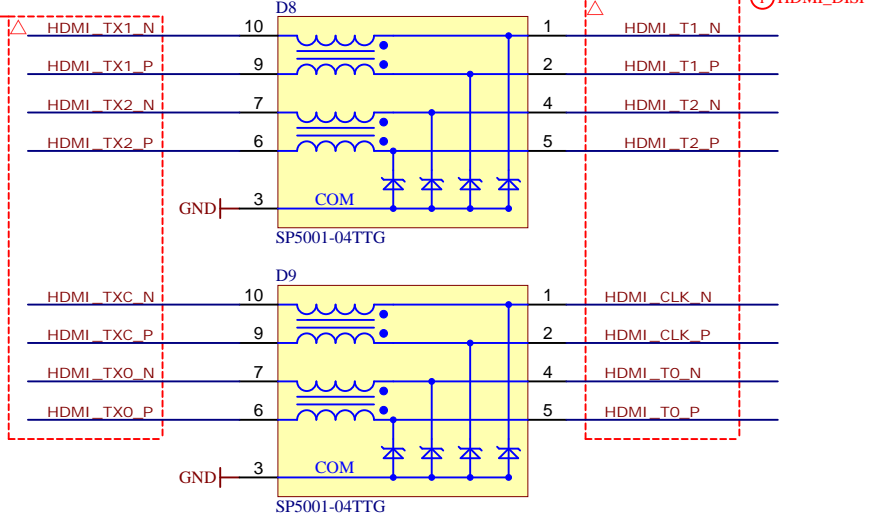
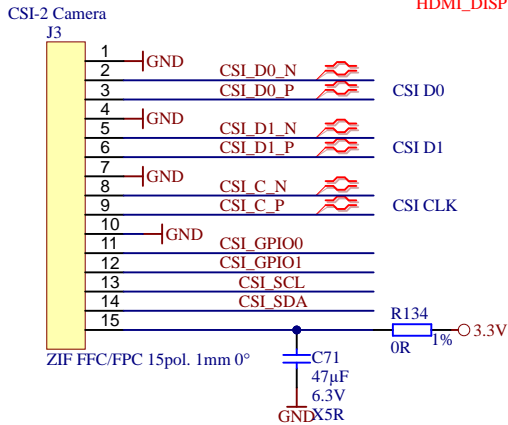
MISC1  
 Digilent Serialnumber  
 Digilent\_SN



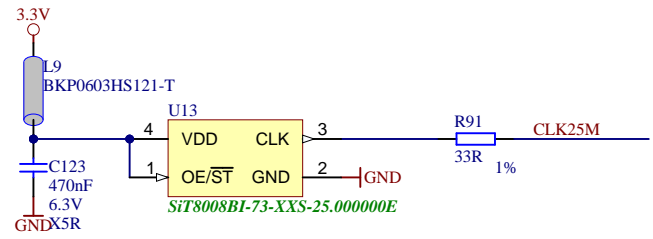
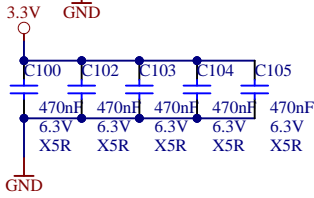
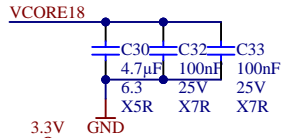
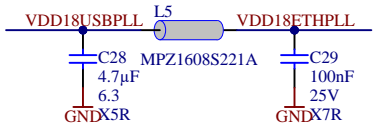
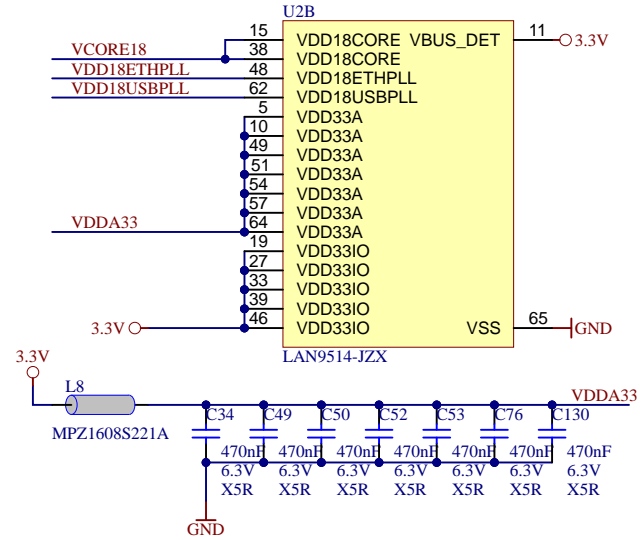
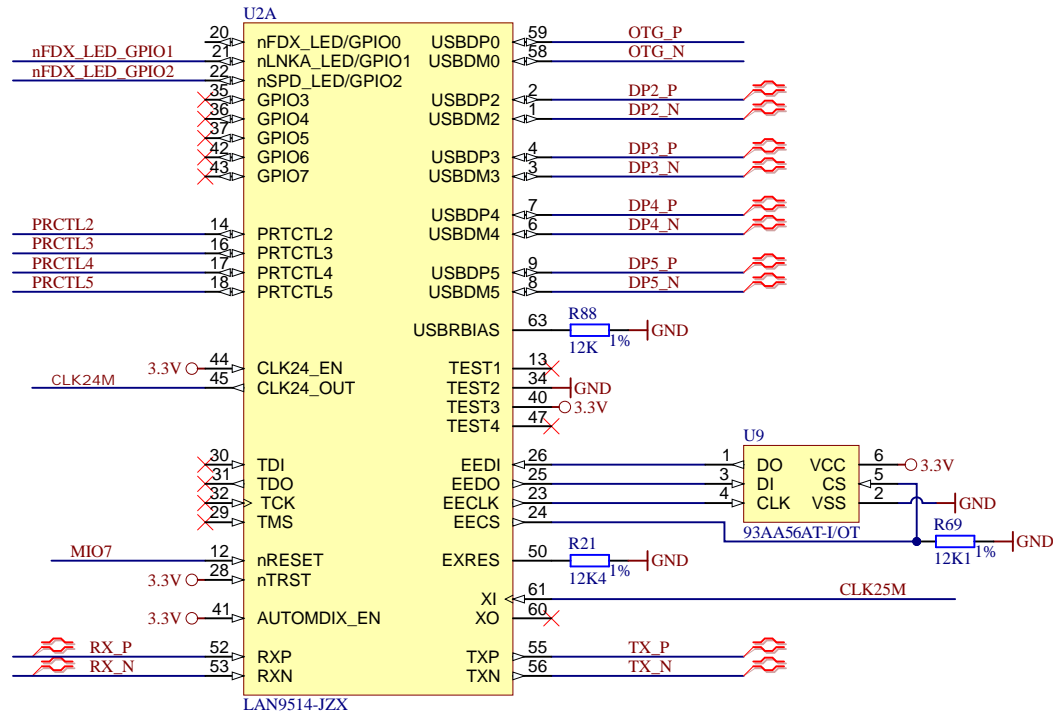
Title: TE0726 - FTDI		
A4	Number: TE0726 41164-A	Rev. 03
Date: 2016-05-06	Copyright: Trenz Electronic GmbH	Page8 of 14
Filename: FTDI.SchDoc		




	Title: TE0726 - USB		
	A4	Number: TE0726 41164-A	Rev. 03
	Date: 2016-05-06	Copyright: Trenz Electronic GmbH	Page 9 of 14
	Filename: USB-PHY.SchDoc		



Title: TE0726 - Connectors		
A4	Number: TE0726 41164-A	Rev. 03
Date: 2016-05-06	Copyright: Trenz Electronic GmbH	Page 10 of 14
Filename: RPi-CAM-LCD.SchDoc		



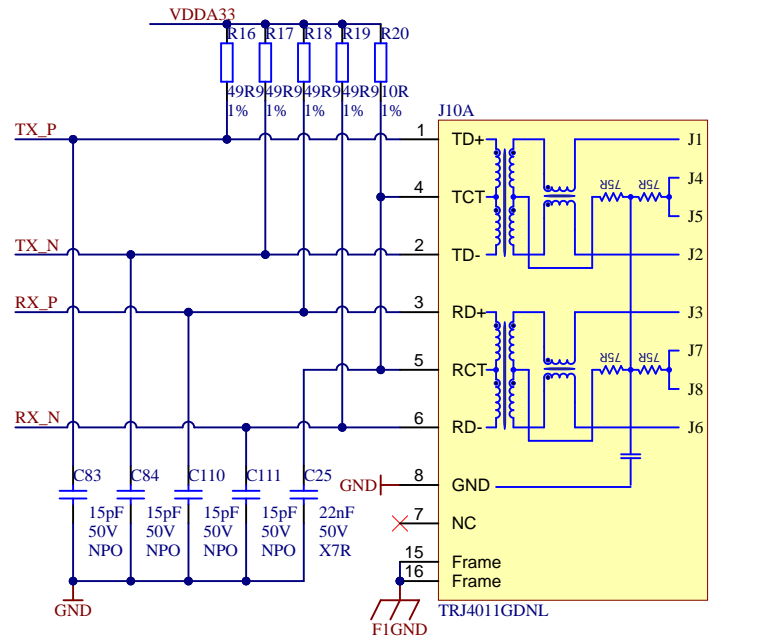
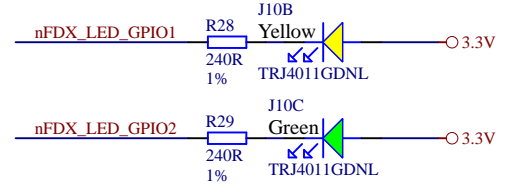
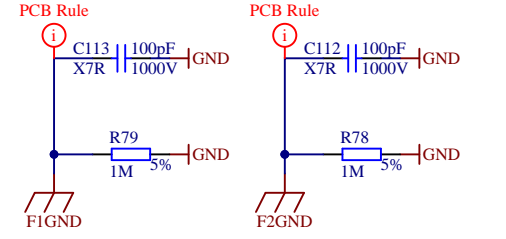
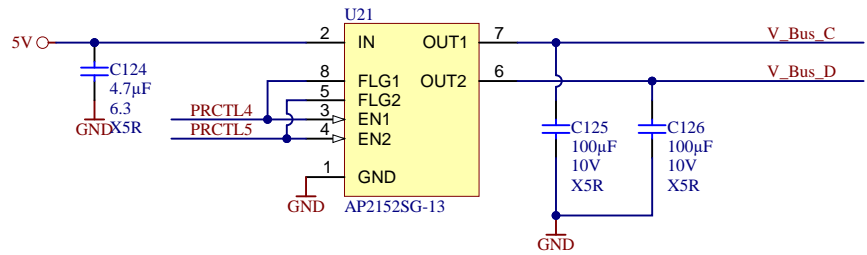
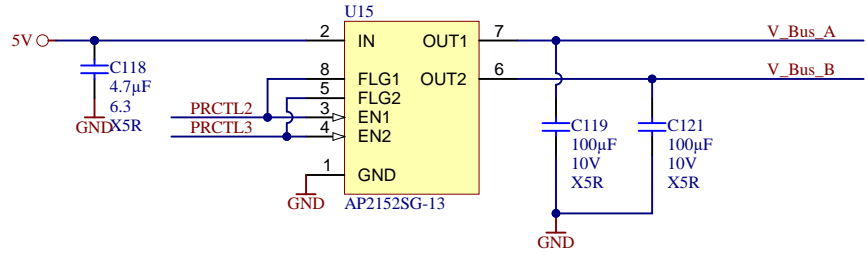
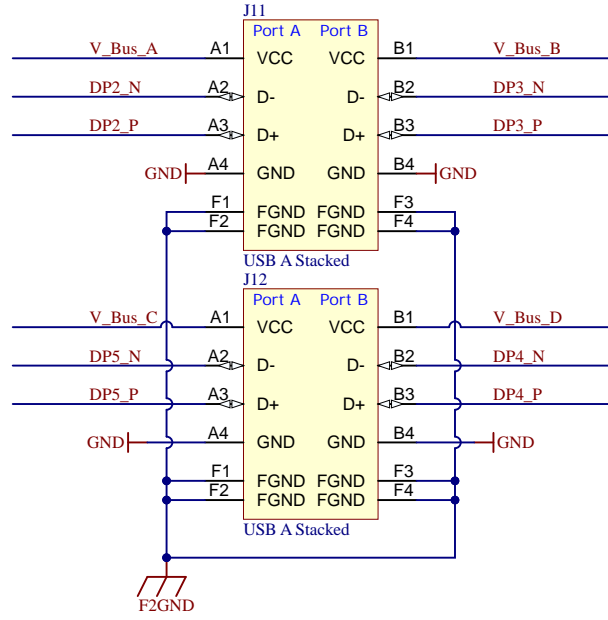
			Title: TE0726 - Connectors	
			A4	Number: TE0726 41164-A
Date: 2016-05-06		Copyright: Trenz Electronic GmbH		Page 11 of 14
Filename: RPi-USB-HUB.SchDoc				

1

2

3

4



			Title: TE0726 - USB ETHERNET	
			A4	Number: TE0726 41164-A
Date: 2016-05-06		Copyright: Trenz Electronic GmbH		Page 12 of 14
Filename: PRI-USB-ETH-CON.SchDoc				

1

2

3

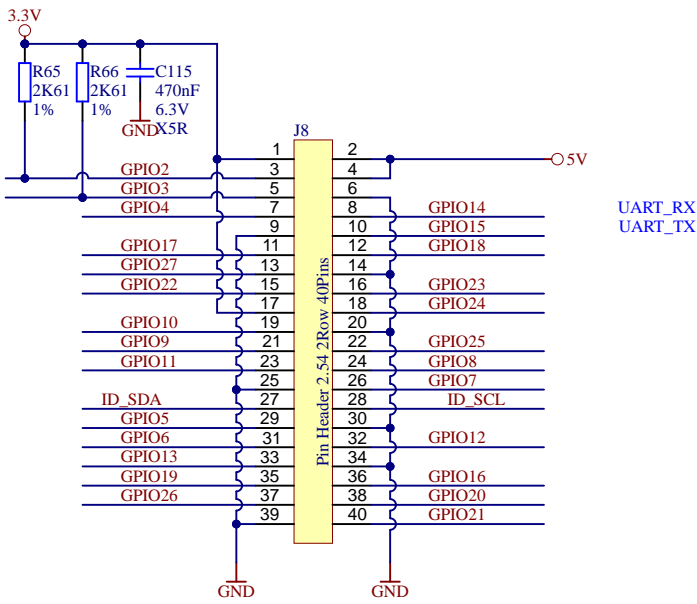
4

1

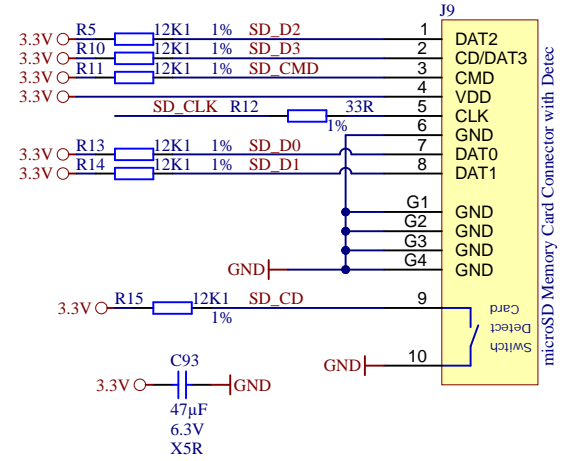
2

3

4



UART\_RX  
UART\_TX



microSD Memory Card Connector with Detect



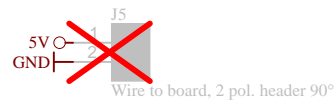
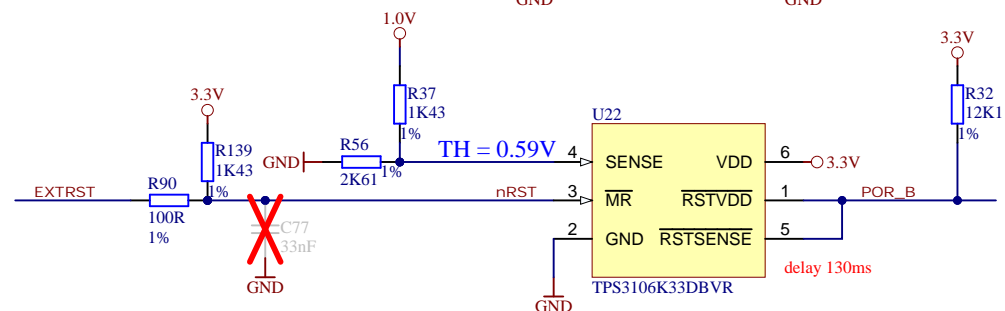
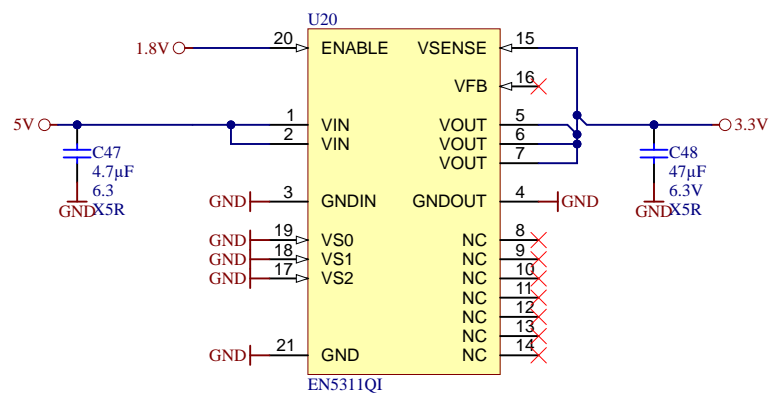
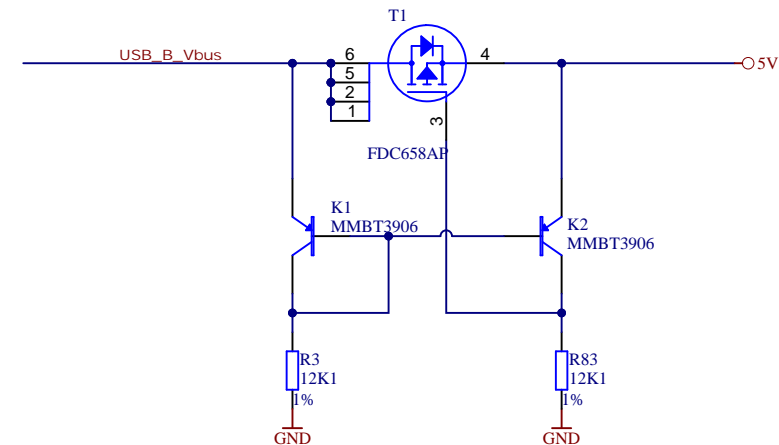
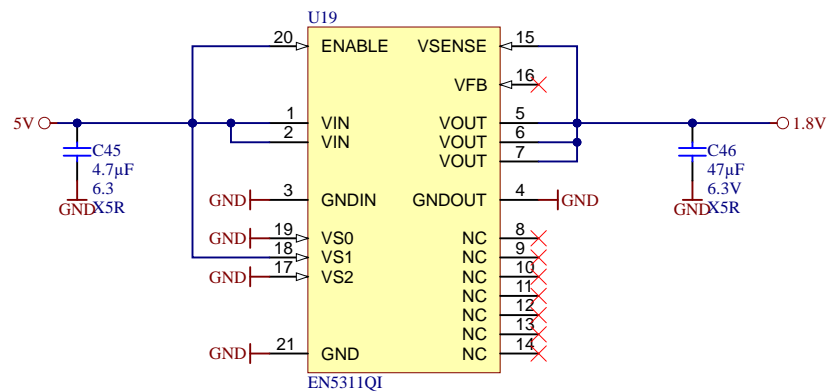
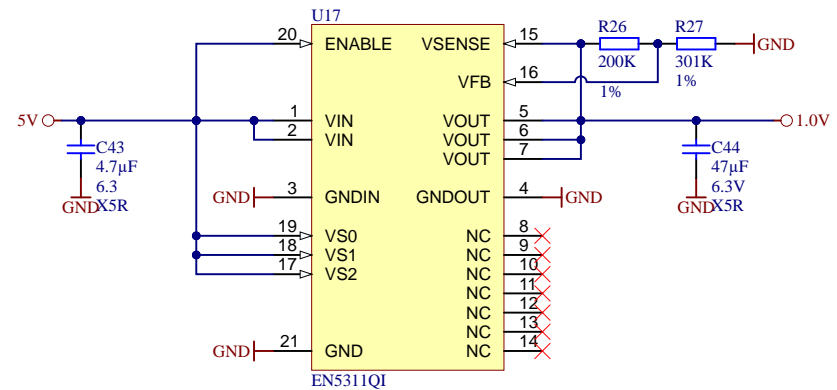
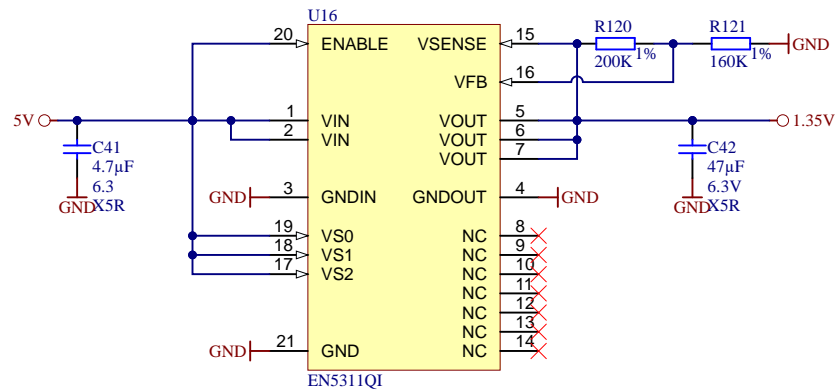
Title: TE0726 - Connectors		
A4	Number: TE0726 41164-A	Rev. 03
Date: 2016-05-06	Copyright: Trenz Electronic GmbH	Page13 of 14
Filename: RPi-Headers.SchDoc		

1

2

3

4



Title: TE0726 - PowerSupply		
A4	Number: TE0726 41164-A	Rev. 03
Date: 2016-05-06	Copyright: Trenz Electronic GmbH	Page 14 of 14
Filename: PowerSupply.SchDoc		