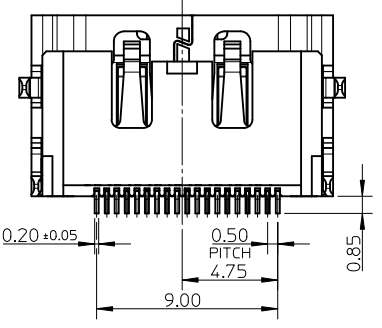
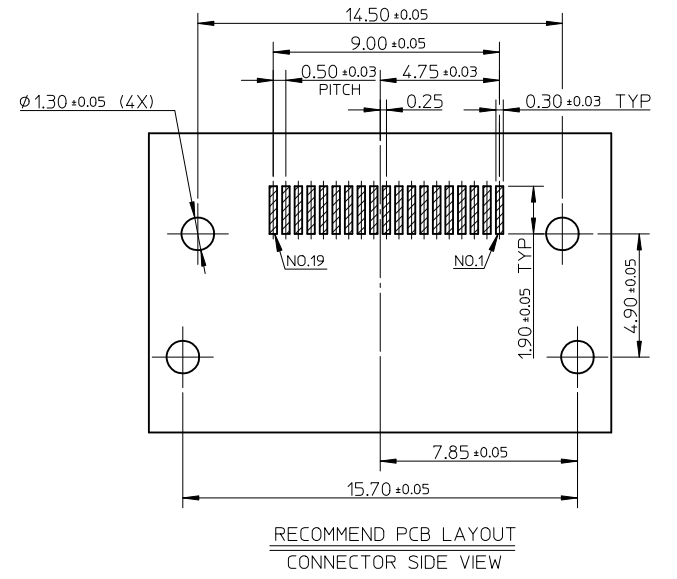


- NOTES:
- MATERIALS:
    - HOUSING: HIGH TEMPERATURE THERMAL PLASTIC. COLOR: SEE TABLE.
    - SHELL: COPPER ALLOY.
    - TERMINAL: COPPER ALLOY.
  - FINISHES:
    - CONTACT AREA: (1) 0.76 MICROMETER MIN. GOLD PLATING. (2) 0.25 MICROMETER MIN. GOLD PLATING. (3) GOLD FLASH. (4) GOLD FLASH OVER PD/NI
    - SOLDER AREA: 1 MICROMETER MIN. TIN-BISMUTH ALLOY PLATING.
    - UNDER PLATE: 1.27 MICROMETER MIN. NICKEL PLATING.
    - SHELL: (1) 1.27 MICROMETER MIN. MATTE TIN PLATING OVERALL. (2) 0.75 MICROMETER MIN. SOLDERABLE NICKEL PLATING OVERALL.
  - PRODUCT SPECIFICATION: PS-47152-001 , TBA FOR PD/NI OPTION
  - PACKAGING SPECIFICATION: SEE TABLE
  - TERMINAL RETENTION FORCE TO BE 0.3kgf Min.
  - COPLANARITY OF ALL TERMINALS IS 0.10mm MAX.
  - PRODUCT COMPLIANT TO RoHS DIRECTIVE 2002/95/EC AND ELV DIRECTIVE 2000/53/EC.



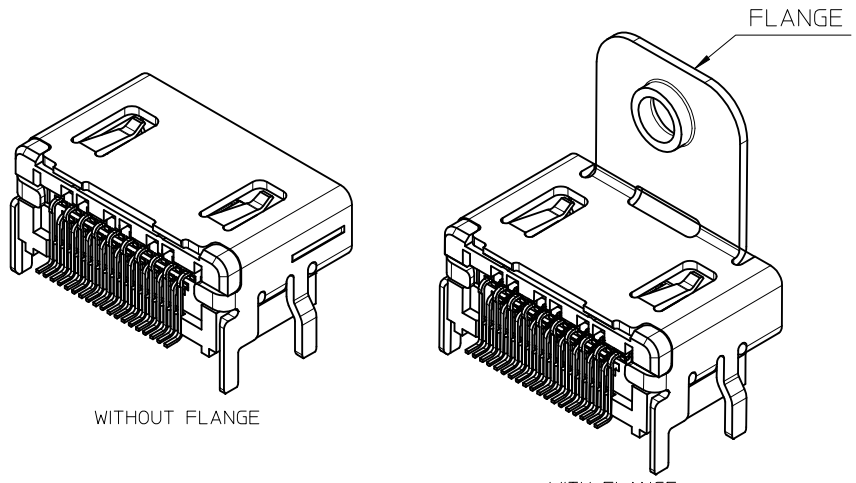
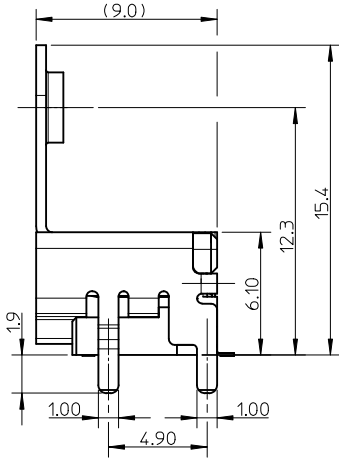
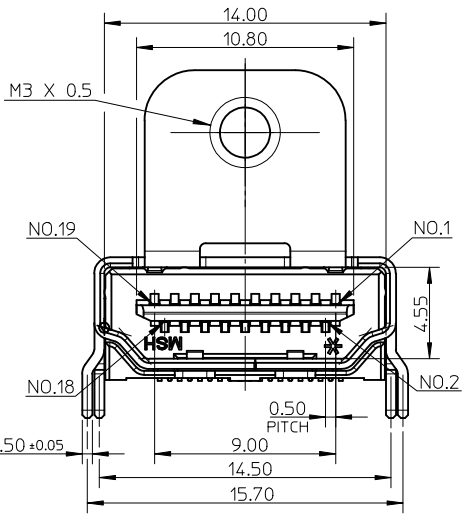
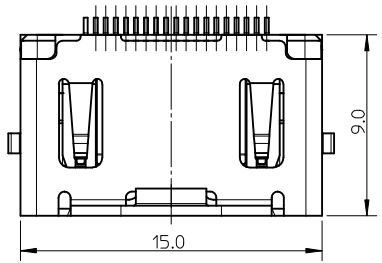
ADD PART NO. EC NO: S2012-0578 DRWN: JZENG 2012/01/18 CH'KD: JESSIE CHUA 2012/03/15 APPR: NAGESHKN 2012/03/19	QUALITY SYMBOLS F=0 F=0 F=0	GENERAL TOLERANCES (UNLESS SPECIFIED)		DIMENSION STYLE MM ONLY		SCALE NTS	DESIGN UNITS METRIC	THIRD ANGLE PROJECTION			
		4 PLACES ± --- ± --- 3 PLACES ± --- ± --- 2 PLACES ± 0.20 ± --- 1 PLACE ± 0.30 ± ---	m.m INCH ± --- ± --- ± 0.20 ± --- ± 0.30 ± ---	DRAWN BY ROST ZHANG	DATE 2005/05/20	TITLE HDMI RECEPTACLE W/SCREW R/A SMT CUSTOMER DRAWING					
		ANGULAR ± 2 °		CHECKED BY GRATE MA	DATE 2005/05/20	MOLEX MOLEX INCORPORATED					
		DRAFT WHERE APPLICABLE MUST REMAIN WITHIN DIMENSIONS		APPROVED BY XJSONG	DATE 2010/01/26	MATERIAL NO. SEE TABLE	DOCUMENT NO. SD-47266-001	SHEET NO. 1 OF 2			

	10	9	8	7	6	5	4	3	2	1	
F	47266-2301	BLACK	SEE NOTE 2(4)	MATTE TIN	WITHOUT FLANGE	TAPE & REEL, PK-47266-001					
	WITH FLANGE				TRAY, PK-47266-002						
F	47266-7211	NATURE	SEE NOTE 2(3)	SOLDERABLE NICKEL	WITHOUT FLANGE	TAPE & REEL, PK-47266-001					
	47266-7111					SEE NOTE 2(1)					
	47266-7011										
	47266-6301										
E	47266-6301	BLACK	SEE NOTE 2(4)	SOLDERABLE NICKEL	WITHOUT FLANGE	TAPE & REEL, PK-47266-001					
	47266-6201					SEE NOTE 2(2)					
	47266-6101										
	47266-6001										
E	47266-5211	NATURE	SEE NOTE 2(3)	SOLDERABLE NICKEL	WITH FLANGE	TAPE & REEL, PK-47266-003					
	47266-5111					SEE NOTE 2(1)					
	47266-5011										
	47266-4211										
D	47266-4111	BLACK	SEE NOTE 2(2)	SOLDERABLE NICKEL	WITH FLANGE	TAPE & REEL, PK-47266-003					
	47266-4011					SEE NOTE 2(3)					
	47266-5201										
	47266-5101										
D	47266-5001	NATURE	SEE NOTE 2(2)	SOLDERABLE NICKEL	WITH FLANGE	TRAY, PK-47266-002					
	47266-5001					SEE NOTE 2(1)					
	47266-4201										
	47266-4101										
C	47266-4001	BLACK	SEE NOTE 2(2)	SOLDERABLE NICKEL	WITH FLANGE	TRAY, PK-47266-002					
	47266-3201					SEE NOTE 2(1)					
	47266-3101										
	47266-3001										
C	47266-2201	NATURE	SEE NOTE 2(3)	MATTE TIN	WITHOUT FLANGE	TAPE & REEL, PK-47266-001					
	47266-2101					SEE NOTE 2(2)					
	47266-2001										
	47266-1211										
B	47266-1111	NATURE	SEE NOTE 2(2)	MATTE TIN	WITH FLANGE	TAPE & REEL, PK-47266-003					
	47266-1011					SEE NOTE 2(3)					
	47266-0211										
	47266-0111										
B	47266-0111	BLACK	SEE NOTE 2(2)	MATTE TIN	WITH FLANGE	TAPE & REEL, PK-47266-003					
	47266-1201					SEE NOTE 2(1)					
	47266-1101										
	47266-1001										
A	47266-0201	NATURE	SEE NOTE 2(3)	MATTE TIN	WITH FLANGE	TRAY, PK-47266-005					
	47266-0102					SEE NOTE 2(2)					
	47266-0102										
	47266-0001										
	P/N	HOUSING COLOR	CONTACT AREA PLATING	SHELL PLATING	REMARK	PACKAGING SPECIFICATION					

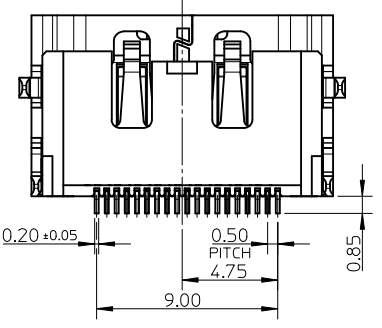


<b>ADD PART NO.</b> EC NO: S2012-0578 DRWN: JZENG 2012/01/18 CHKD: JESSIECHUA 2012/03/15 APPR: NAGESHKN 2012/03/19 H2	<b>QUALITY SYMBOLS</b> $\nabla_A = 0$ $\nabla_C = 0$ $\nabla_P = 0$	<b>GENERAL TOLERANCES (UNLESS SPECIFIED)</b>		<b>DIMENSION STYLE</b> MM ONLY	<b>SCALE</b> NTS	<b>DESIGN UNITS</b> METRIC	<input checked="" type="checkbox"/> THIRD ANGLE PROJECTION		
		4 PLACES ± --- ± --- 3 PLACES ± --- ± --- 2 PLACES ± 0.20 ± --- 1 PLACE ± 0.30 ± ---	mm INCH ± --- ± --- ± 0.20 ± --- ± 0.30 ± ---	DRAWN BY ROST ZHANG	DATE 2005/05/20	<b>TITLE</b> HDMI RECEPTACLE W/SCREW R/A SMT CUSTOMER DRAWING			
		ANGULAR ± 2 °		CHECKED BY GRATE MA	DATE 2005/05/20	<b>MOLEX INCORPORATED</b>			
		DRAFT WHERE APPLICABLE MUST REMAIN WITHIN DIMENSIONS		APPROVED BY XJSONG	DATE 2010/01/26	MATERIAL NO. SEE TABLE	DOCUMENT NO. SD-47266-001	SHEET NO. 2 OF 2	

10 9 8 7 6 5 4 3 2 1



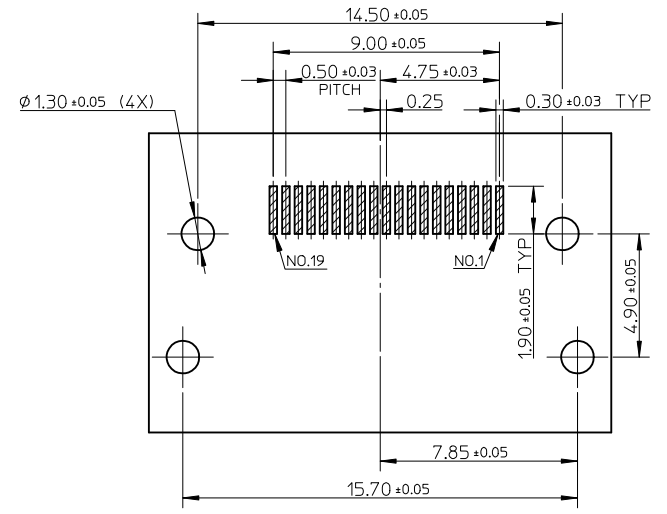
NOTES:  
 1. MATERIALS:  
 HOUSING: HIGH TEMPERATURE THERMAL PLASTIC. COLOR: SEE TABLE.  
 SHELL: COPPER ALLOY.  
 TERMINAL: COPPER ALLOY.  
 2. FINISHES:  
 CONTACT AREA: (1) 0.76 MICROMETER MIN. GOLD PLATING.  
 (2) 0.25 MICROMETER MIN. GOLD PLATING.  
 (3) GOLD FLASH.  
 (4) GOLD FLASH OVER PD/NI  
 SOLDER AREA: 1 MICROMETER MIN. TIN-BISMUTH ALLOY PLATING.  
 UNDER PLATE: 1.27 MICROMETER MIN. NICKEL PLATING.  
 SHELL: (1) 1.27 MICROMETER MIN. MATTE TIN PLATING OVERALL.  
 (2) 0.75 MICROMETER MIN. SOLDERABLE NICKEL PLATING OVERALL.  
 3. PRODUCT SPECIFICATION: PS-47152-001 , TBA FOR PD/NI OPTION  
 4. PACKAGING SPECIFICATION: SEE TABLE  
 5. TERMINAL RETENTION FORCE TO BE 0.3kgf Min.  
 6. COPLANARITY OF ALL TERMINALS IS 0.10mm MAX.  
 7. PRODUCT COMPLIANT TO RoHS DIRECTIVE 2002/95/EC AND ELV DIRECTIVE 2000/53/EC.



ADD PART NO. EC NO: S2012-0578 DRWN: JZENG 2012/01/18 CH'KD: JESSIECHUA 2012/03/15 APPR: NAGESHKN 2012/03/19	QUALITY SYMBOLS F=0 F=0 F=0	GENERAL TOLERANCES (UNLESS SPECIFIED)		DIMENSION STYLE MM ONLY		SCALE NTS	DESIGN UNITS METRIC	THIRD ANGLE PROJECTION	
		4 PLACES ± --- ± --- 3 PLACES ± --- ± --- 2 PLACES ± 0.20 ± --- 1 PLACE ± 0.30 ± ---	m.m INCH ± --- ± --- ± 0.20 ± --- ± 0.30 ± ---	DRAWN BY ROST ZHANG	DATE 2005/05/20	TITLE HDMI RECEPTACLE W/SCREW R/A SMT CUSTOMER DRAWING			
		ANGULAR ± 2 °		CHECKED BY GRATE MA	DATE 2005/05/20	MOLEX MOLEX INCORPORATED			
		DRAFT WHERE APPLICABLE MUST REMAIN WITHIN DIMENSIONS		APPROVED BY XJSONG	DATE 2010/01/26	MATERIAL NO. SEE TABLE	DOCUMENT NO. SD-47266-001	SHEET NO. 1 OF 2	

9 8 7 6 5 4 3 2 1

	10	9	8	7	6	5	4	3	2	1
F	47266-2301	BLACK	SEE NOTE 2(4)	MATTE TIN	WITHOUT FLANGE	TAPE & REEL, PK-47266-001				
	WITH FLANGE				TRAY, PK-47266-002					
	47266-7211	NATURE	SEE NOTE 2(3)	SOLDERABLE NICKEL	WITHOUT FLANGE	TAPE & REEL, PK-47266-001				
	47266-7111					SEE NOTE 2(2)				
	47266-7011					SEE NOTE 2(1)				
	47266-6301	BLACK	SEE NOTE 2(4)	SOLDERABLE NICKEL	WITHOUT FLANGE	TAPE & REEL, PK-47266-001				
	47266-6201					SEE NOTE 2(3)				
	47266-6101					SEE NOTE 2(2)				
	47266-6001					SEE NOTE 2(1)				
	E	47266-5211	NATURE	SEE NOTE 2(3)	SOLDERABLE NICKEL	WITH FLANGE	TAPE & REEL, PK-47266-003			
47266-5111		SEE NOTE 2(2)								
47266-5011		SEE NOTE 2(1)								
47266-4211		BLACK	SEE NOTE 2(3)	SOLDERABLE NICKEL	WITH FLANGE	TAPE & REEL, PK-47266-003				
47266-4111						SEE NOTE 2(2)				
47266-4011						SEE NOTE 2(1)				
47266-5201		NATURE	SEE NOTE 2(3)	SOLDERABLE NICKEL	WITH FLANGE	TRAY, PK-47266-002				
47266-5101						SEE NOTE 2(2)				
47266-5001						SEE NOTE 2(1)				
D		47266-4201	BLACK	SEE NOTE 2(3)	SOLDERABLE NICKEL	WITH FLANGE	TRAY, PK-47266-002			
	47266-4101	SEE NOTE 2(2)								
	47266-4001	SEE NOTE 2(1)								
	47266-3201	NATURE	SEE NOTE 2(3)	MATTE TIN	WITHOUT FLANGE	TAPE & REEL, PK-47266-001				
	47266-3101					SEE NOTE 2(2)				
	47266-3001					SEE NOTE 2(1)				
	47266-2201	BLACK	SEE NOTE 2(3)	MATTE TIN	WITHOUT FLANGE	TAPE & REEL, PK-47266-001				
	47266-2101					SEE NOTE 2(2)				
	47266-2001					SEE NOTE 2(1)				
	C	47266-1211	NATURE	SEE NOTE 2(3)	MATTE TIN	WITH FLANGE	TAPE & REEL, PK-47266-003			
47266-1111		SEE NOTE 2(2)								
47266-1011		SEE NOTE 2(1)								
47266-0211		BLACK	SEE NOTE 2(3)	MATTE TIN	WITH FLANGE	TAPE & REEL, PK-47266-003				
47266-0111						SEE NOTE 2(2)				
47266-0011						SEE NOTE 2(1)				
47266-1201		NATURE	SEE NOTE 2(3)	MATTE TIN	WITH FLANGE	TRAY, PK-47266-005				
47266-1101						SEE NOTE 2(2)				
47266-1001						SEE NOTE 2(1)				
47266-0201		BLACK	SEE NOTE 2(3)	MATTE TIN	WITH FLANGE	TRAY, PK-47266-005				
47266-0102	SEE NOTE 2(2)									
47266-0001	SEE NOTE 2(1)									
	P/N	HOUSING COLOR	CONTACT AREA PLATING	SHELL PLATING	REMARK	PACKAGING SPECIFICATION				



<b>ADD PART NO.</b> EC NO: S2012-0578 DRWN: JZENG 2012/01/18 CHKD: JESSIECHUA 2012/03/15 APPR: NAGESHKN 2012/03/19 <b>H2</b>	<b>DESCRIPTION</b> QUALITY SYMBOLS $\nabla_A = 0$ $\nabla_C = 0$ $\nabla_P = 0$	<b>GENERAL TOLERANCES (UNLESS SPECIFIED)</b>		<b>DIMENSION STYLE</b> MM ONLY	<b>SCALE</b> NTS	<b>DESIGN UNITS</b> METRIC	THIRD ANGLE PROJECTION		
		4 PLACES ± --- ± --- 3 PLACES ± --- ± --- 2 PLACES ± 0.20 ± --- 1 PLACE ± 0.30 ± ---	mm INCH ± --- ± --- ± 0.20 ± --- ± 0.30 ± ---	DRAWN BY ROST ZHANG	DATE 2005/05/20	<b>TITLE</b> HDMI RECEPTACLE W/SCREW R/A SMT CUSTOMER DRAWING			
		ANGULAR ± 2 °		CHECKED BY GRATE MA	DATE 2005/05/20	<b>MOLEX INCORPORATED</b>			
		DRAFT WHERE APPLICABLE MUST REMAIN WITHIN DIMENSIONS		APPROVED BY XJSONG	DATE 2010/01/26	MATERIAL NO. SEE TABLE	DOCUMENT NO. SD-47266-001	SHEET NO. 2 OF 2	