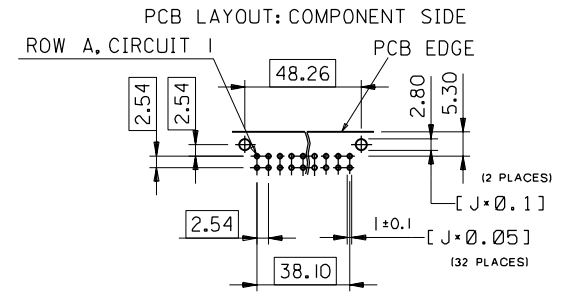
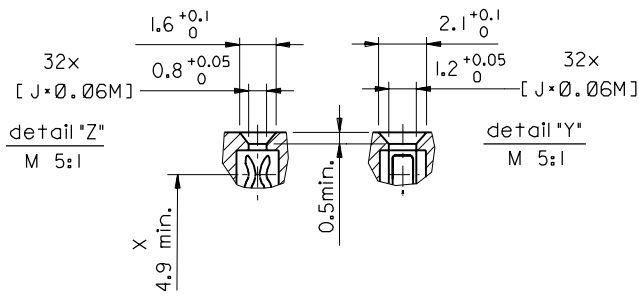
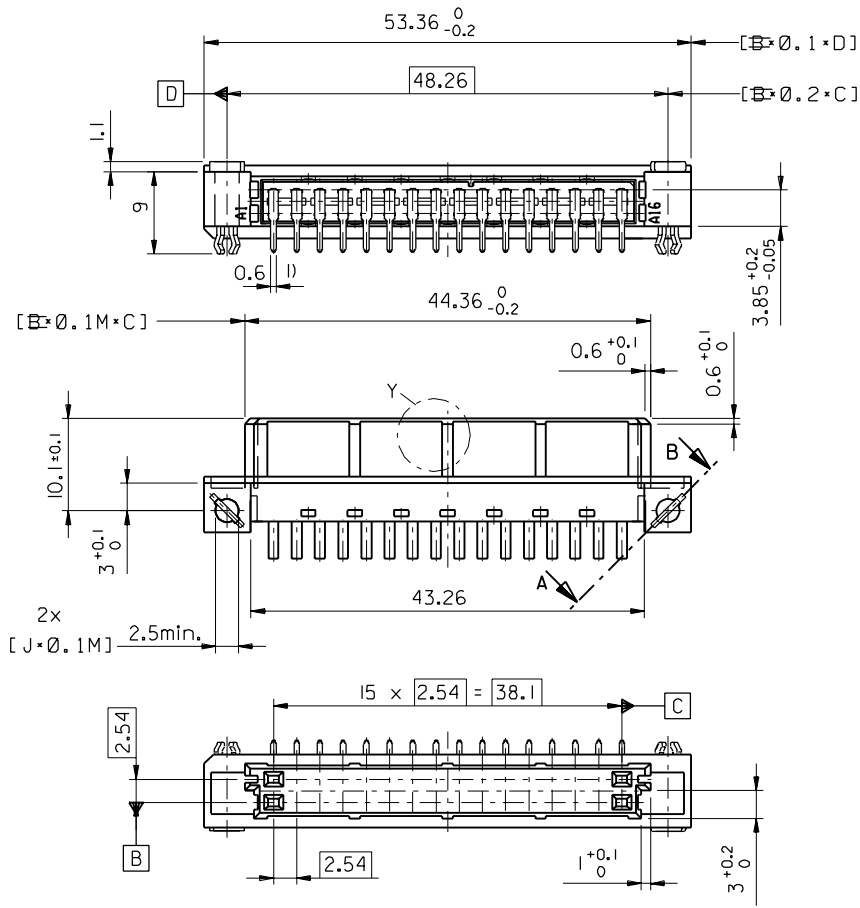
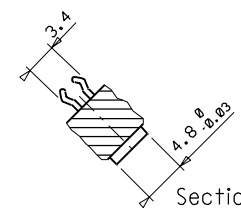
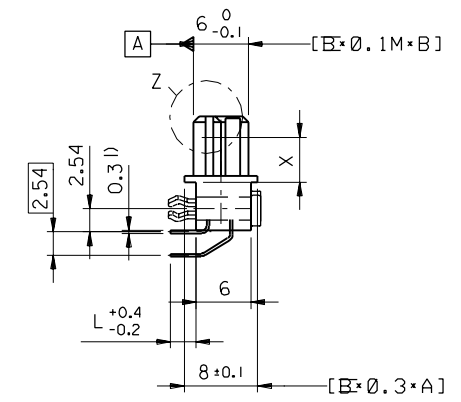




PART NO.  
DWG. NO.



1) tails to fit in PC-board layout



FIRST ANGLE PROJECTION

REVISE ONLY ON CAD SYSTEM

ECN MG1998-2586	REVISIONS	UNLESS OTHERWISE SPECIFIED TOLERANCES: ANGULAR ±2°	DRWG BY	SIGN	CAD/CAM PROJECT NAME	SH.	REV.
L +0.4-0.2, Lockbild 97-09-17 KN		INCH	KN		85050000		

3 PLACE ±	±	CHK'D BY	SIGN	THIS DRAWING CONTAINS INFORMATION THAT IS PROPRIETARY TO MOLEX INC. & SHOULD NOT BE USED WITHOUT WRITTEN PERMISSION
2 PLACE ±	±	Ca		
1 PLACE ±	±	JB		

APP'D BY	SIGN	TITLE
SCALE	2:1	32 pos. female connector DIN 41612 style Q/2+ clip Dimensions

DESIGN DIMENSION	<input checked="" type="checkbox"/> MM	SHEET NO.	DATE
EQUIVALENT DIMENSION	<input type="checkbox"/> MM	1 OF 1	96/04/25
PART NO.		DWG NO.	SIZE
SDA-85050-0002			B