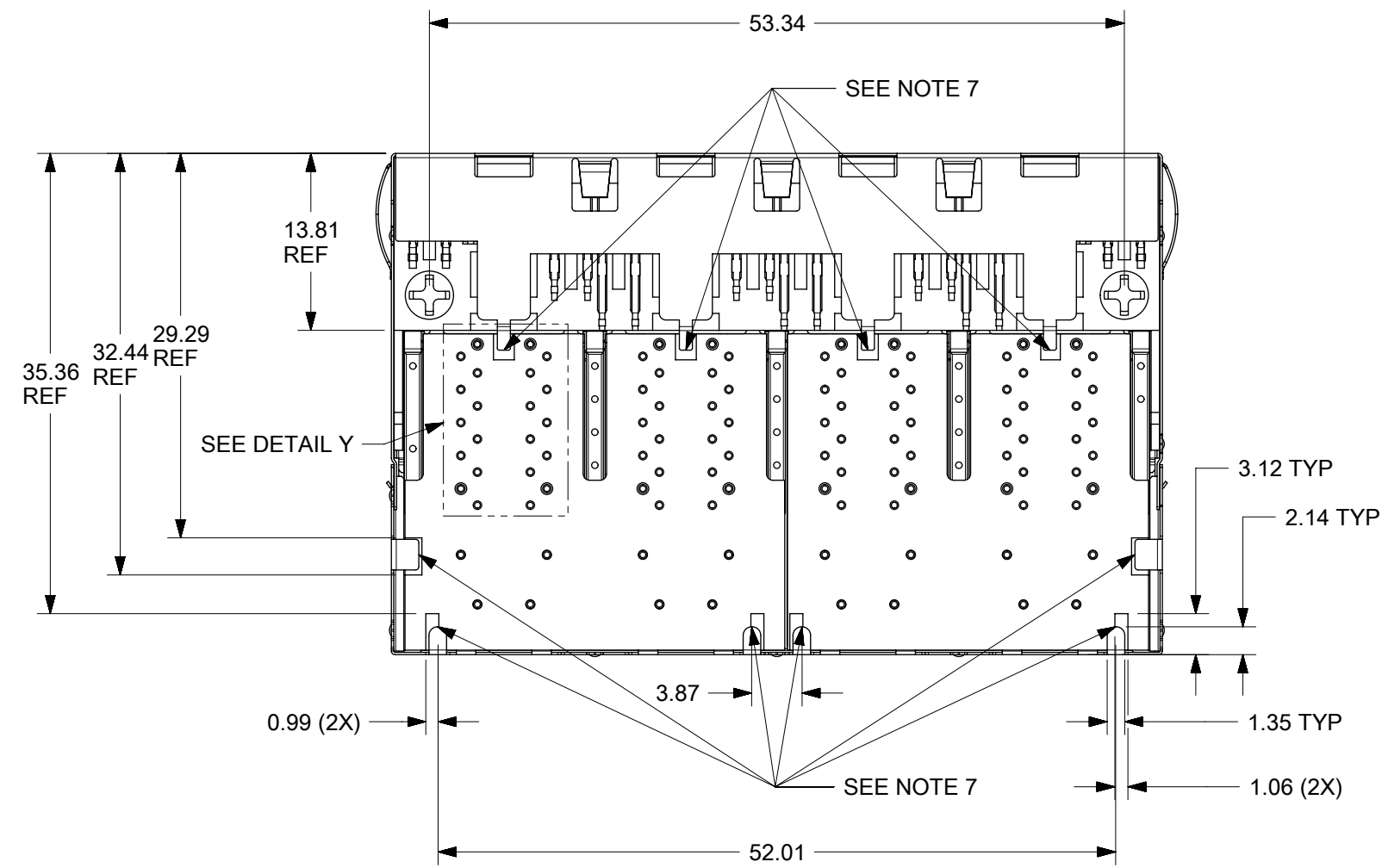
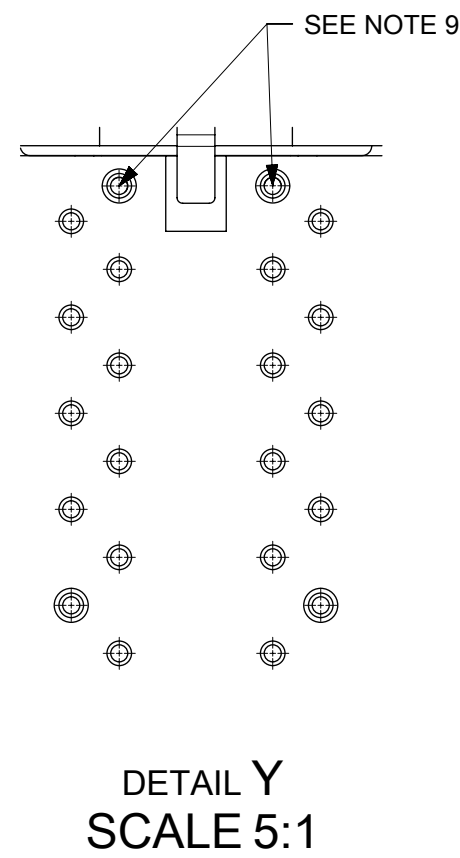
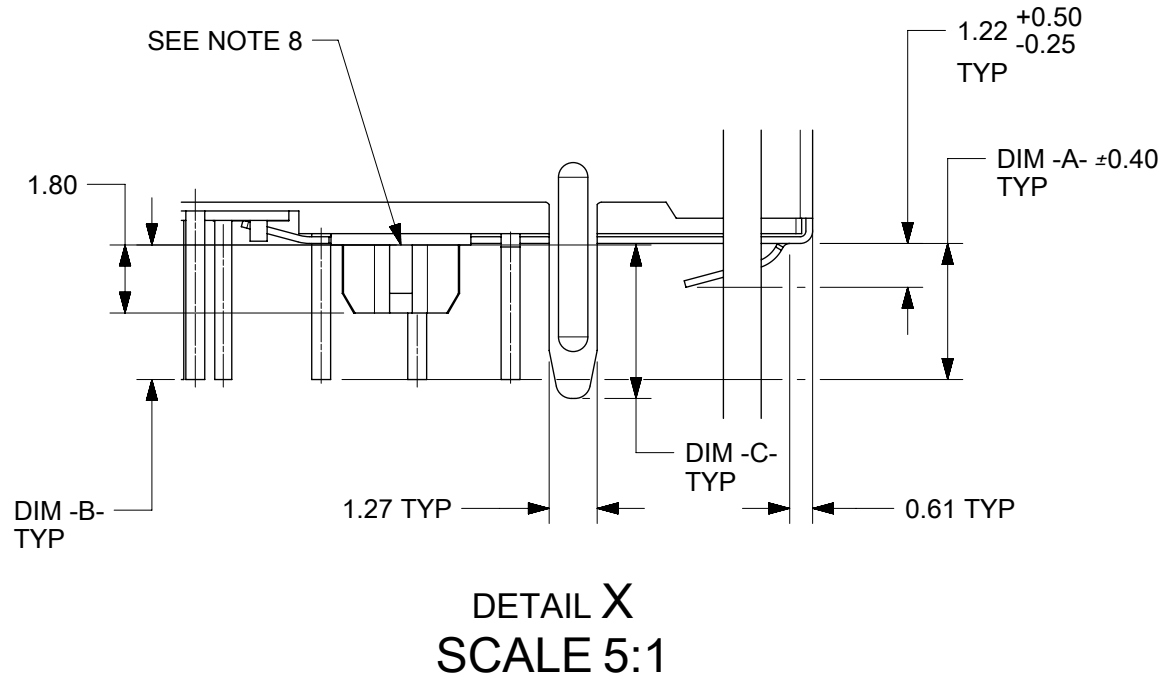
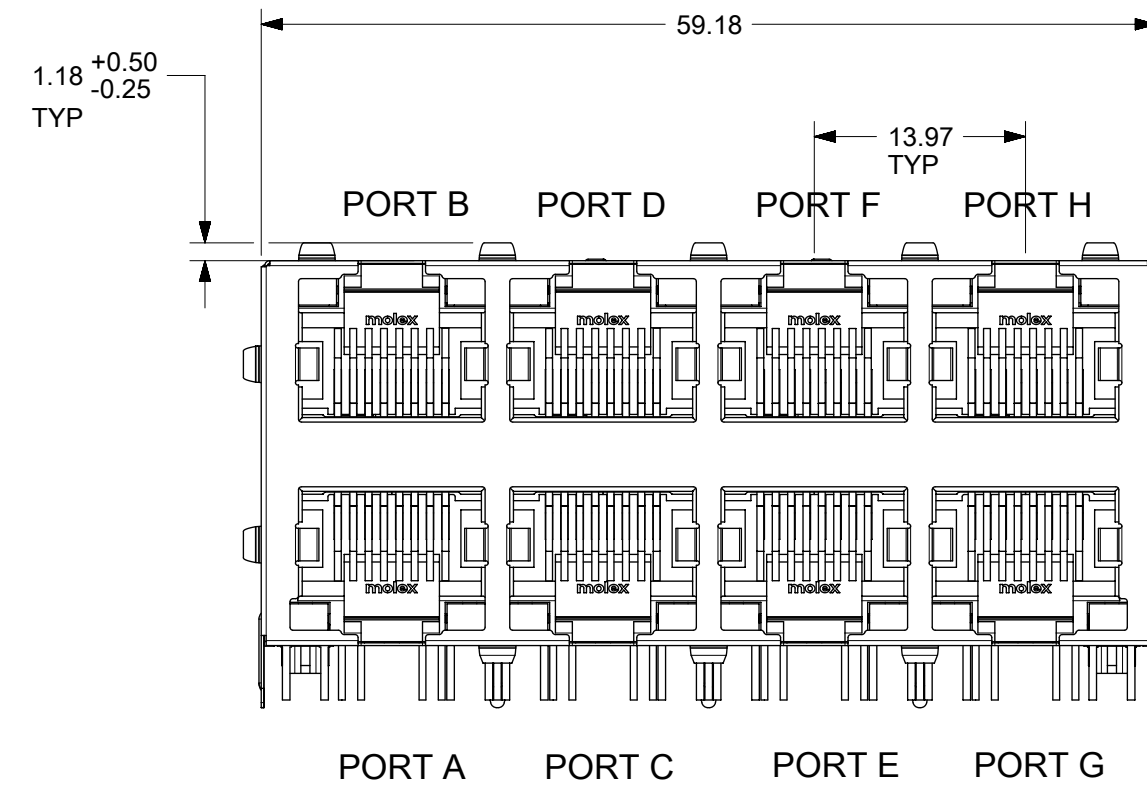
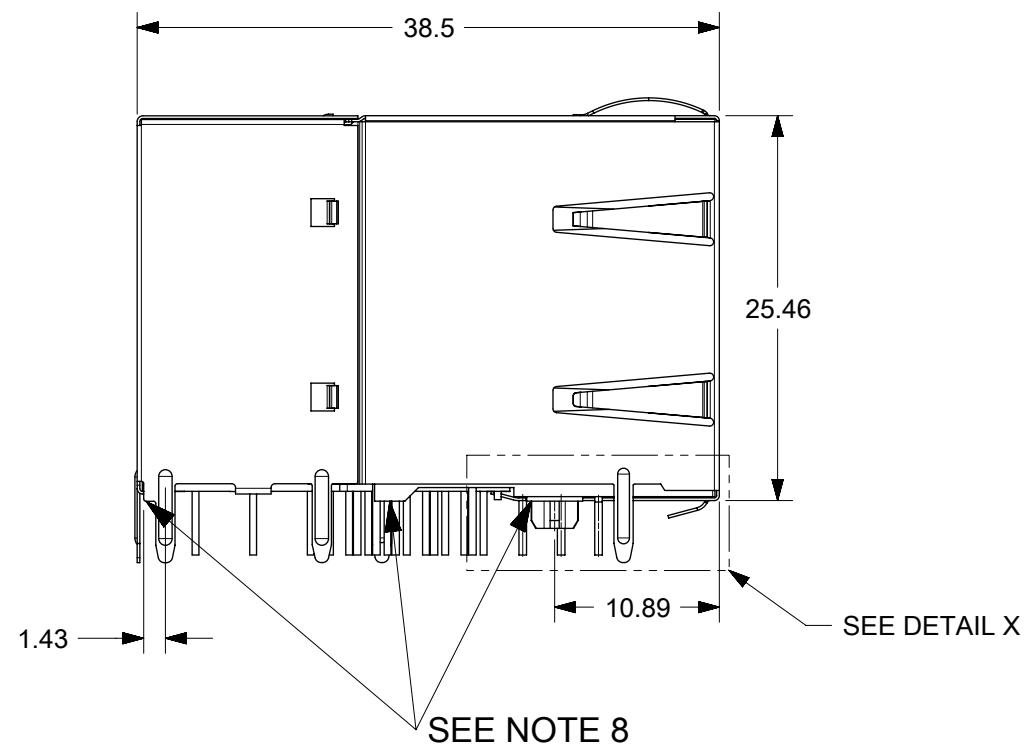


GIGABIT 8 PORT MAGNETIC JACK WITH LED's
AND INTEGRATED POWER OVER ETHERNET TRANSFORMERS
ACCORDING TO IEEE Std802.3-2012 FOR PSE (30 WATT) APPLICATIONS

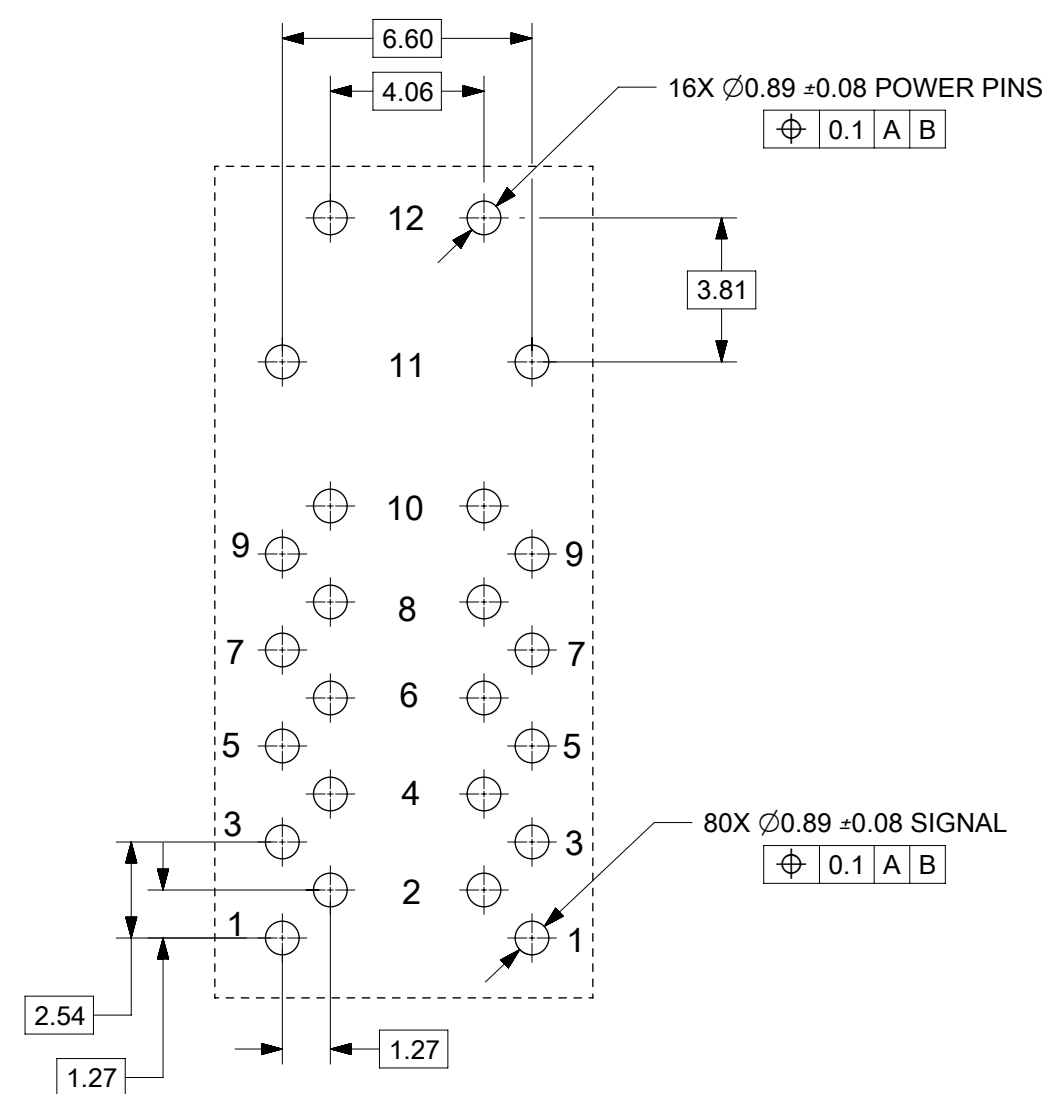


NOTES:

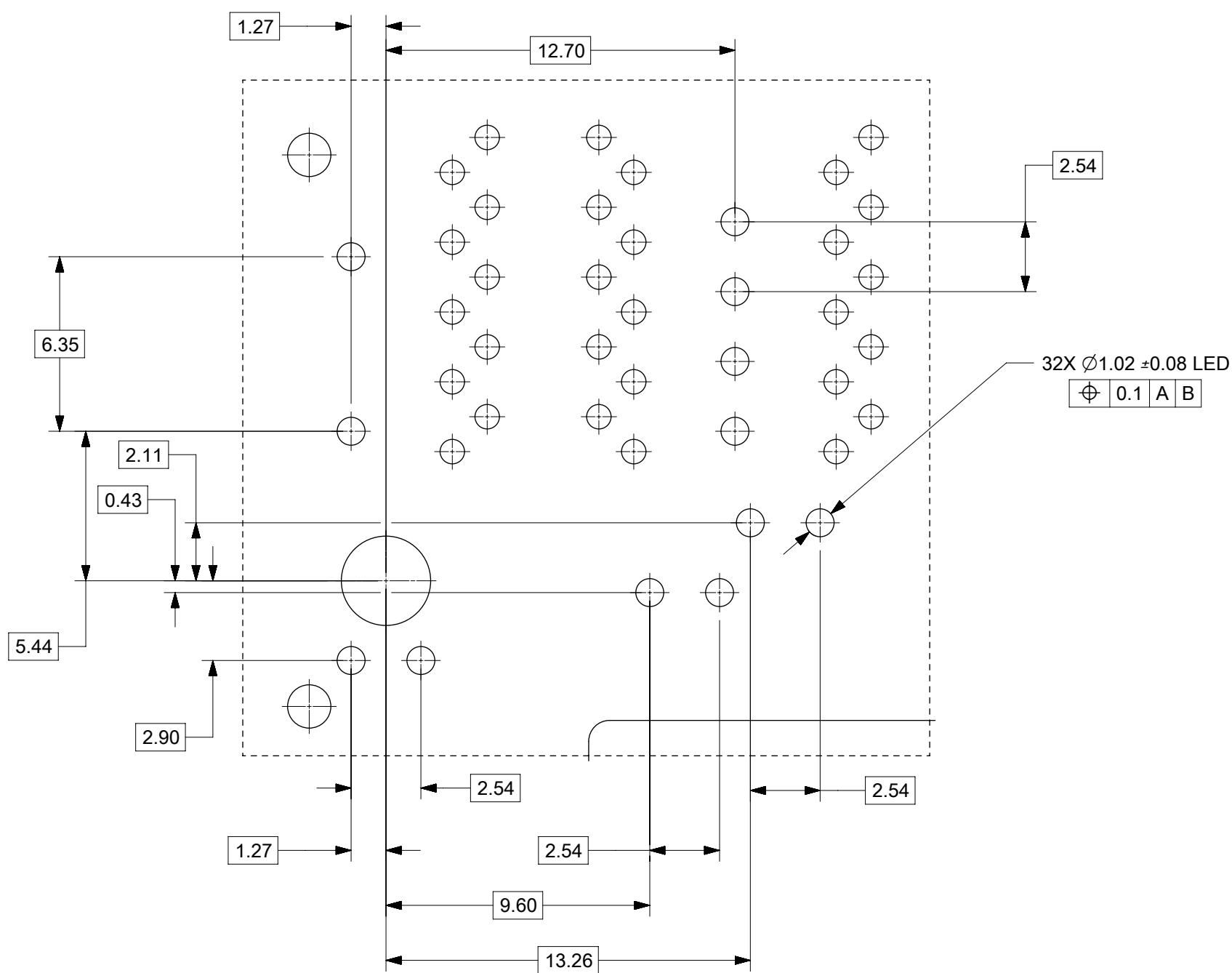
- 1 - SHIELD MATERIAL: BRASS; PLATING: NICKEL PRE-PLATING
- 2 - PLASTIC MATERIAL: POLYESTER (PBT) BLACK, 30%GR, UL 94V-0
- 3 - RJ45 TERMINALS MATERIAL: COPPER ALLOY
CONTACT PLATING: 0.76 MICROMETER GOLD OVER 1.9 MICROMETER NICKEL
PHY TERMINALS: TIN PLATED
- 4 - MATING INTERFACE ACCORDING TO IEC 60603-7
- 5 - PRODUCT SPECIFICATION: PS-85732-001
- 6 - PACKAGING SPECIFICATION: PK-85735-001
- 7 - SYSTEM BOARD TRACES WITHOUT INSULATION NOT ALLOWED IN THE SOLDERED AREA (SHILED SOLDERED WITH PCB PAD)
TO AVOID SHORTS TO SHIELD
- 8 - STAND OFF TO SYSTEM BOARD
- 9 - STUBBED PINS -> AVOID TO ROUTE TRACES OR TO PLACE ANY
VIAS OR PADS BELOW THESE PINS ON SYSTEM BOARD
- 10 - FOR MAGNETICS AND LED INFORMATION SEE SPEC PS-85732-001

REVISION CHART	
REV	CHANGE CONTENT
C2	85735-1102 G/Y LED SHORTEN SHIELD PIN LENGTH

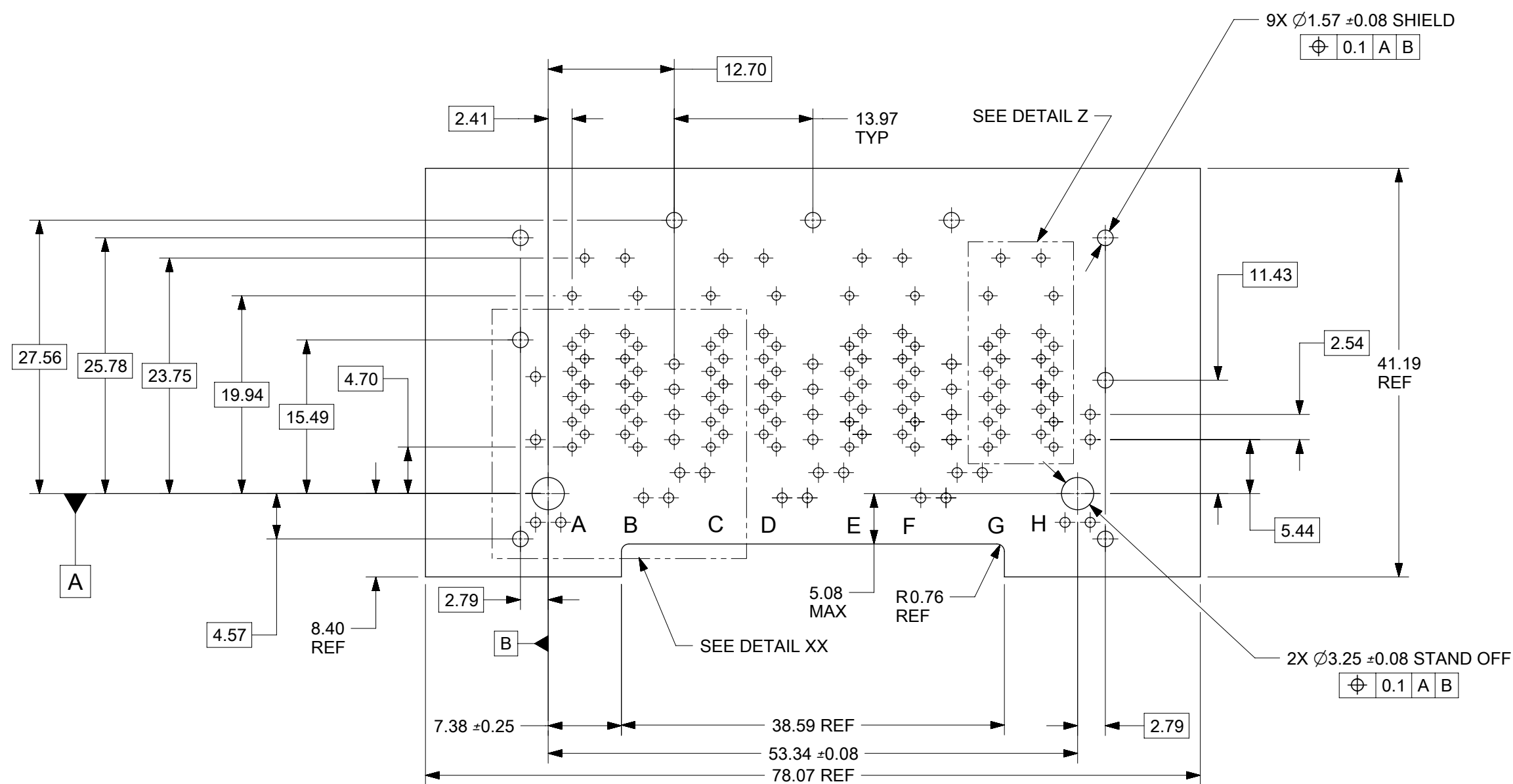
SYMBOLS THIS DRAWING CONTAINS INFORMATION THAT IS PROPRIETARY TO MOLEX ELECTRONIC TECHNOLOGIES, LLC AND SHOULD NOT BE USED WITHOUT WRITTEN PERMISSION DIMENSION UNITS: mm SCALE: 2:1 CURRENT REV DESC: SEE REV CHART GENERAL TOLERANCES (UNLESS SPECIFIED) ANGULAR TOL ± 0.5° 4 PLACES ± 3 PLACES ± 2 PLACES ± 0.25 1 PLACE ± 0.5 0 PLACES ± DRAFT WHERE APPLICABLE MUST REMAIN WITHIN DIMENSIONS THIRD ANGLE PROJECTION DRAWING: A2-SIZE SERIES: 85735	EC NO: 623893 DRWN: GWU15 2019/09/11 CHK'D: KLANG 2019/09/12 APPR: KLANG 2019/09/12			molex GIGABIT MAGNETIC JACK POE PLUS ENABLED 2X4 LED PRODUCT CUSTOMER DRAWING			
	INITIAL REVISION: DRWN: MMANGARUDOV 2011/12/14 APPR: SSTEINKE 2012/12/07			DOCUMENT NUMBER SD-85735-101	DOC TYPE PSD	DOC PART 001	REVISION C2
	MATERIAL NUMBER	CUSTOMER	SHEET NUMBER				
	SEE PN TABLE	GENERAL MARKET	1 OF 4				



DETAIL Z
SCALE 5:1



DETAIL XX
SCALE 5:1



PCB LAYOUT: COMPONENT SIDE

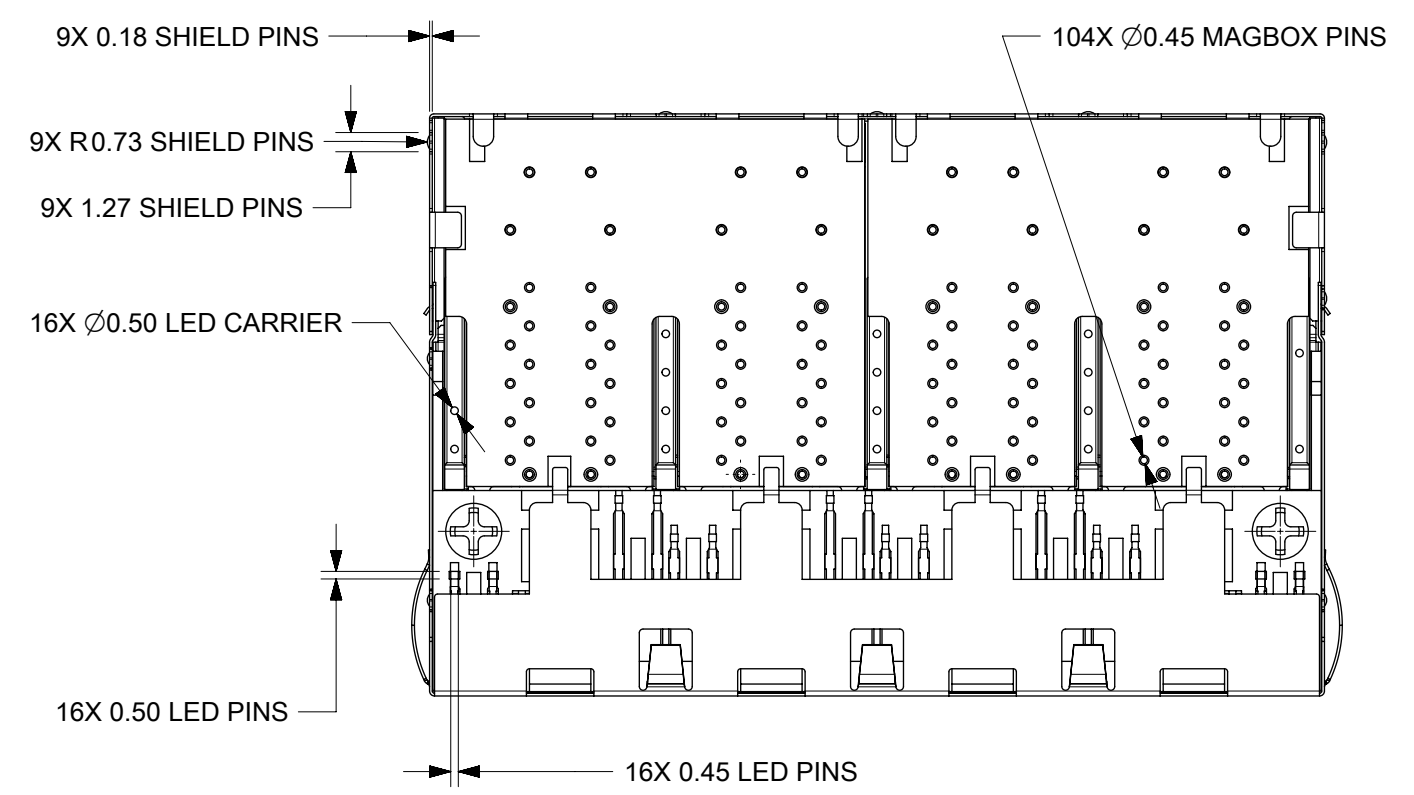
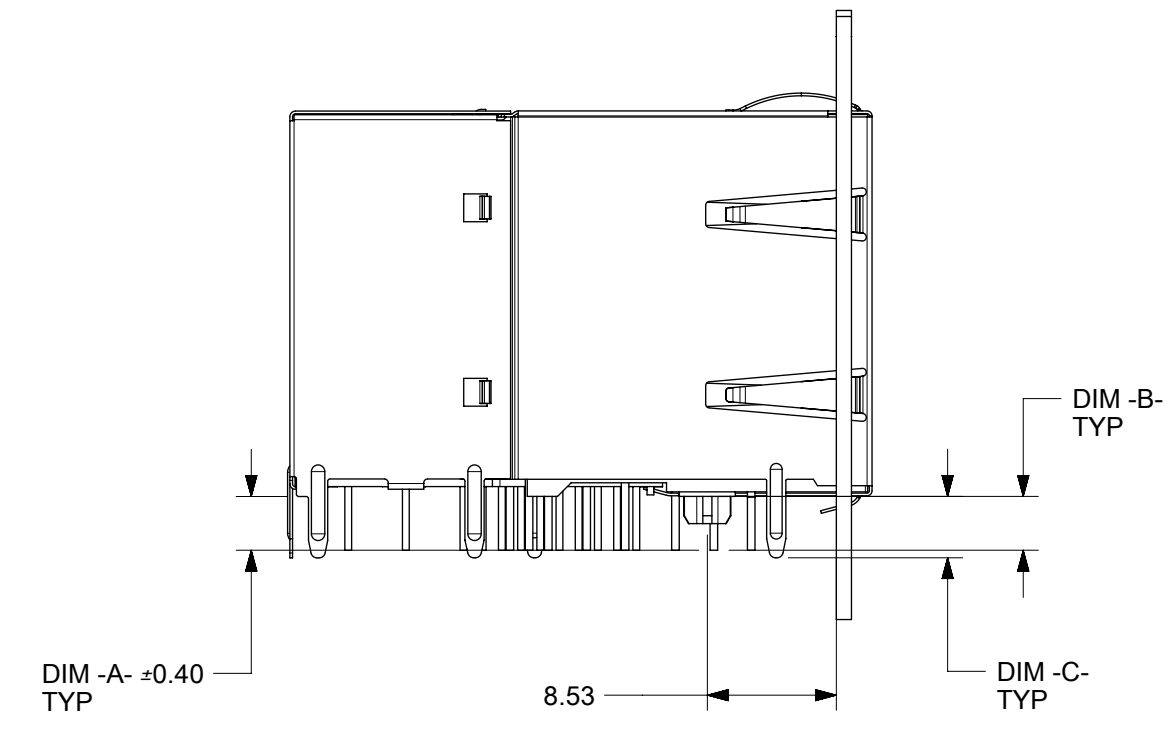
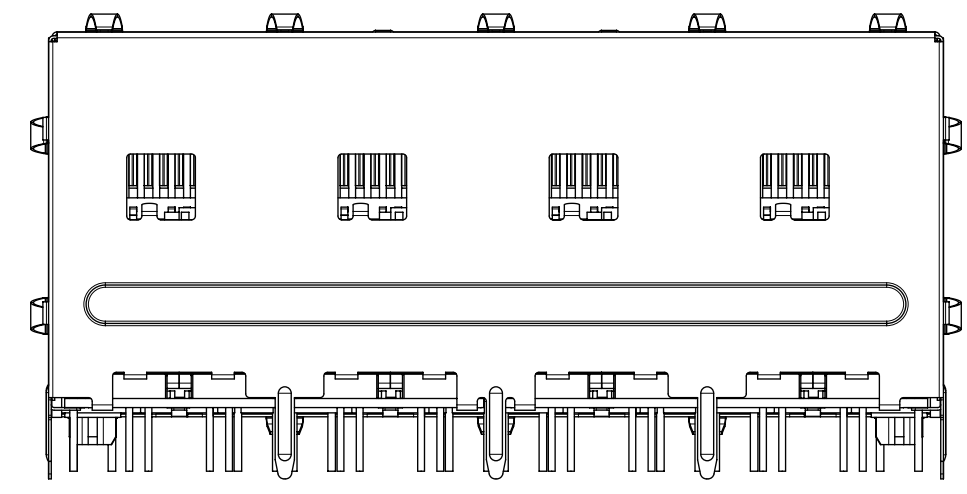
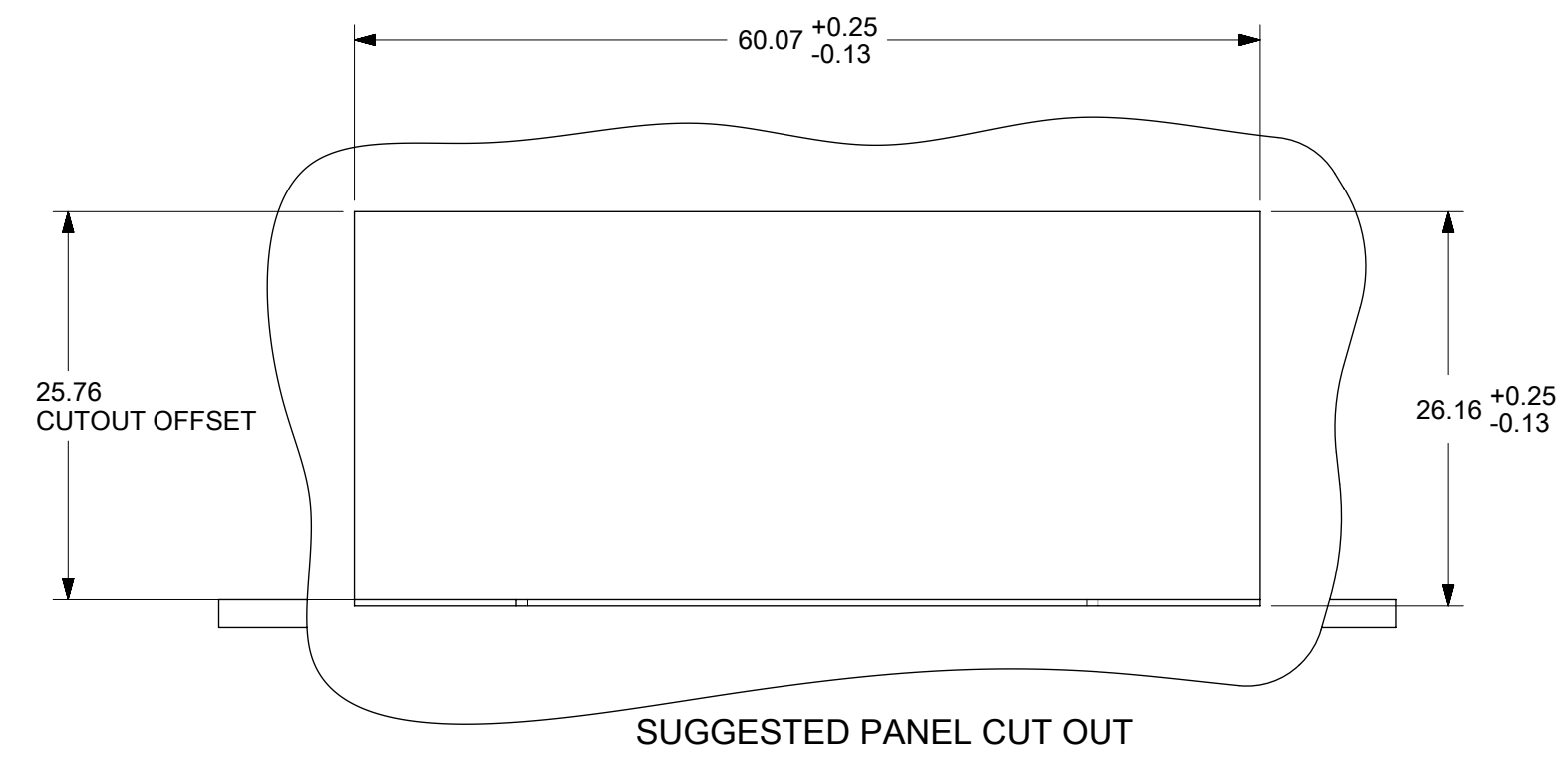
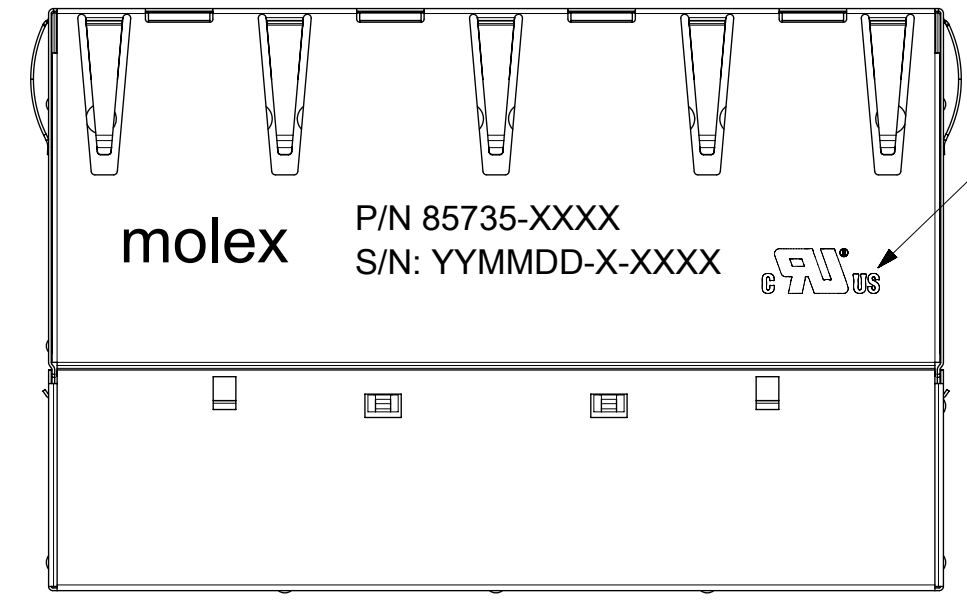
SYMBOLS	THIS DRAWING CONTAINS INFORMATION THAT IS PROPRIETARY TO MOLEX ELECTRONIC TECHNOLOGIES, LLC AND SHOULD NOT BE USED WITHOUT WRITTEN PERMISSION		
	DIMENSION UNITS	SCALE	CURRENT REV DESC: SEE REV CHART
▽ = 0	mm	2:1	EC NO: 623893 DRWN: GWU15 2019/09/11 CHK'D: KLANG 2019/09/12 APPR: KLANG 2019/09/12
▽ = 0	GENERAL TOLERANCES (UNLESS SPECIFIED)		
▽ = 0	ANGULAR TOL ± 0.5°		INITIAL REVISION: DRWN: MMANGARUDOV 2011/12/14 APPR: SSTEINKE 2012/12/07
▽ = 0	4 PLACES ±		
▽ = 0	3 PLACES ±		DOCUMENT NUMBER SD-85735-101
▽ = 0	2 PLACES ± 0.25		
▽ = 0	1 PLACE ± 0.5		DOC TYPE DOC PART REVISION PSD 001 C2
▽ = 0	0 PLACES ±		MATERIAL NUMBER CUSTOMER SHEET NUMBER SEE PN TABLE GENERAL MARKET 2 OF 4
▽ = 0	DRAFT WHERE APPLICABLE MUST REMAIN WITHIN DIMENSIONS		
▽ = 0	THIRD ANGLE PROJECTION	DRAWING	SERIES
▽ = 0		A2-SIZE	85735

molex

GIGABIT MAGNETIC JACK
POE PLUS ENABLED 2X4 LED

PRODUCT CUSTOMER DRAWING

PRINTING
LED VERSION
P/N: 85735-XXXX
S/N: YYMMDD-CM-CONSECUTIVE NUMBER



PART NUMBER	UPPER & LOWER LED LEFT		UPPER & LOWER LED RIGHT		DIM-A-SIGNAL PINS	DIM-B-LED PINS	DIM-C-SHIELD PINS
	COLOUR 1	COLOUR 2	COLOUR 1	COLOUR 2			
857351001	COLOUR 1	GREEN	COLOUR 1	GREEN	3,56mm	3,56mm	4.06mm
	COLOUR 2	-	COLOUR 2	-			
857351101	COLOUR 1	GREEN	COLOUR 1	GREEN	2.40mm	2.40mm	2.40mm
	COLOUR 2	-	COLOUR 2	-			
857351102	COLOUR 1	GREEN	COLOUR 1	YELLOW	2.40mm	2.40mm	2.40mm
	COLOUR 2	-	COLOUR 2	-			
857351002	COLOUR 1	GREEN	COLOUR 1	ORANGE	3,56mm	3,56mm	4.06mm
	COLOUR 2	-	COLOUR 2	-			
857351003	COLOUR 1	GREEN	COLOUR 1	GREEN	3,56mm	3,56mm	4.06mm
	COLOUR 2	ORANGE	COLOUR 2	-			
857351004	COLOUR 1	GREEN	COLOUR 1	GREEN	3,56mm	3,56mm	4.06mm
	COLOUR 2	ORANGE	COLOUR 2	ORANGE			
857351006	COLOUR 1	GREEN	COLOUR 1	YELLOW	3,56mm	3,56mm	4.06mm
	COLOUR 2	-	COLOUR 2	-			
857351007	COLOUR 1	GREEN	COLOUR 1	GREEN	3,56mm	3,56mm	4.06mm
	COLOUR 2	YELLOW	COLOUR 2	-			
857351008	COLOUR 1	GREEN	COLOUR 1	GREEN	3,56mm	3,56mm	4.06mm
	COLOUR 2	YELLOW	COLOUR 2	YELLOW			
857351012	COLOUR 1	YELLOW	COLOUR 1	GREEN	3,56mm	3,56mm	4.06mm
	COLOUR 2	GREEN	COLOUR 2	-			
857351013	COLOUR 1	YELLOW	COLOUR 1	YELLOW	3,56mm	3,56mm	4.06mm
	COLOUR 2	GREEN	COLOUR 2	GREEN			
857351014	COLOUR 1	YELLOW	COLOUR 1	GREEN	3,56mm	3,56mm	4.06mm
	COLOUR 2	-	COLOUR 2	-			

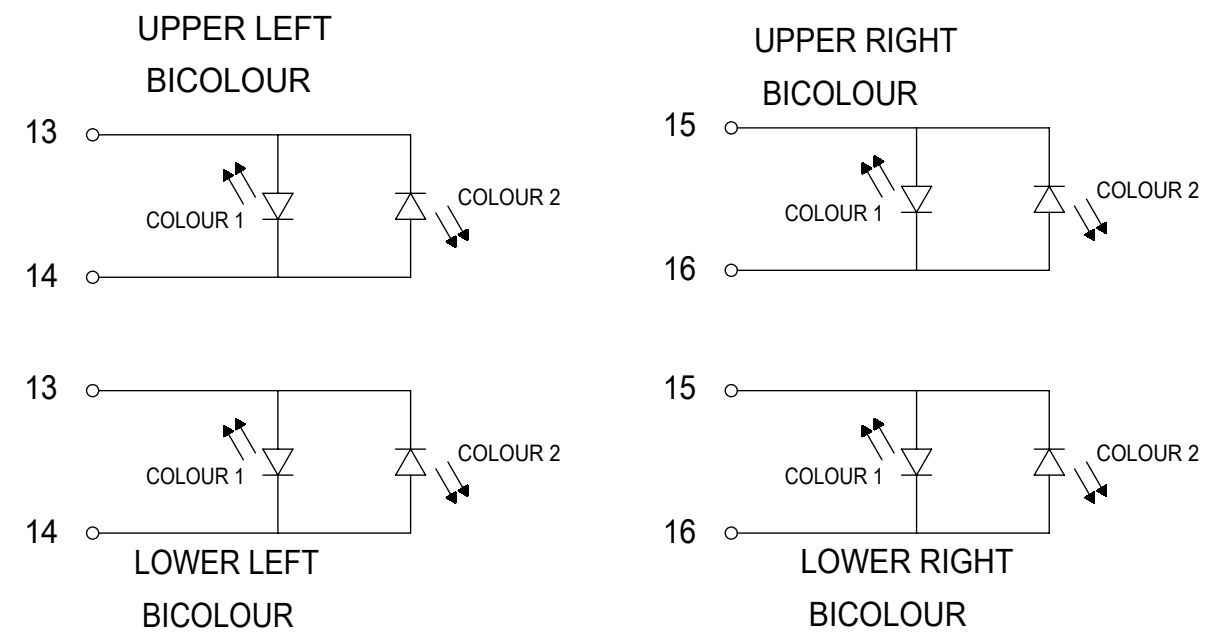
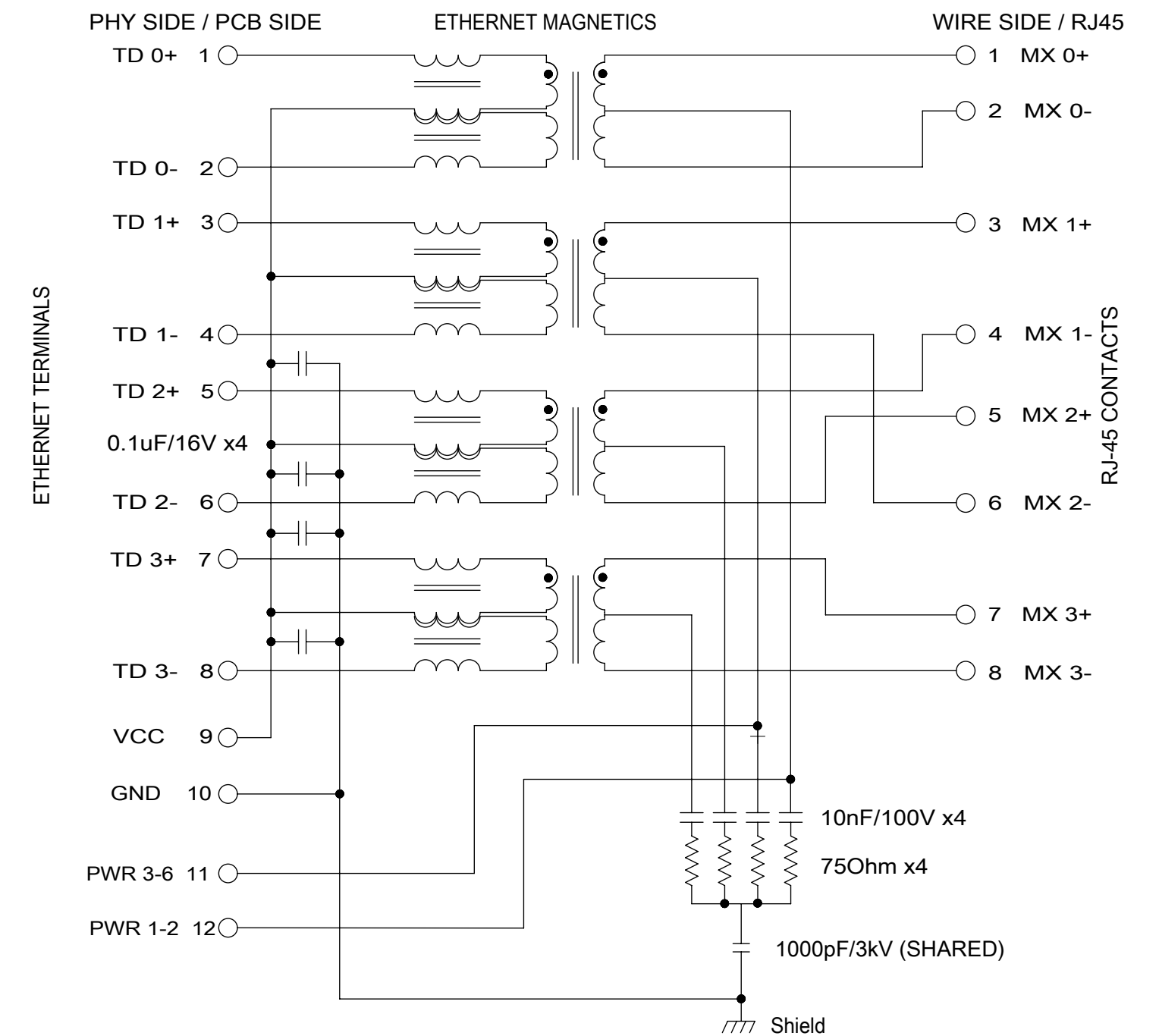
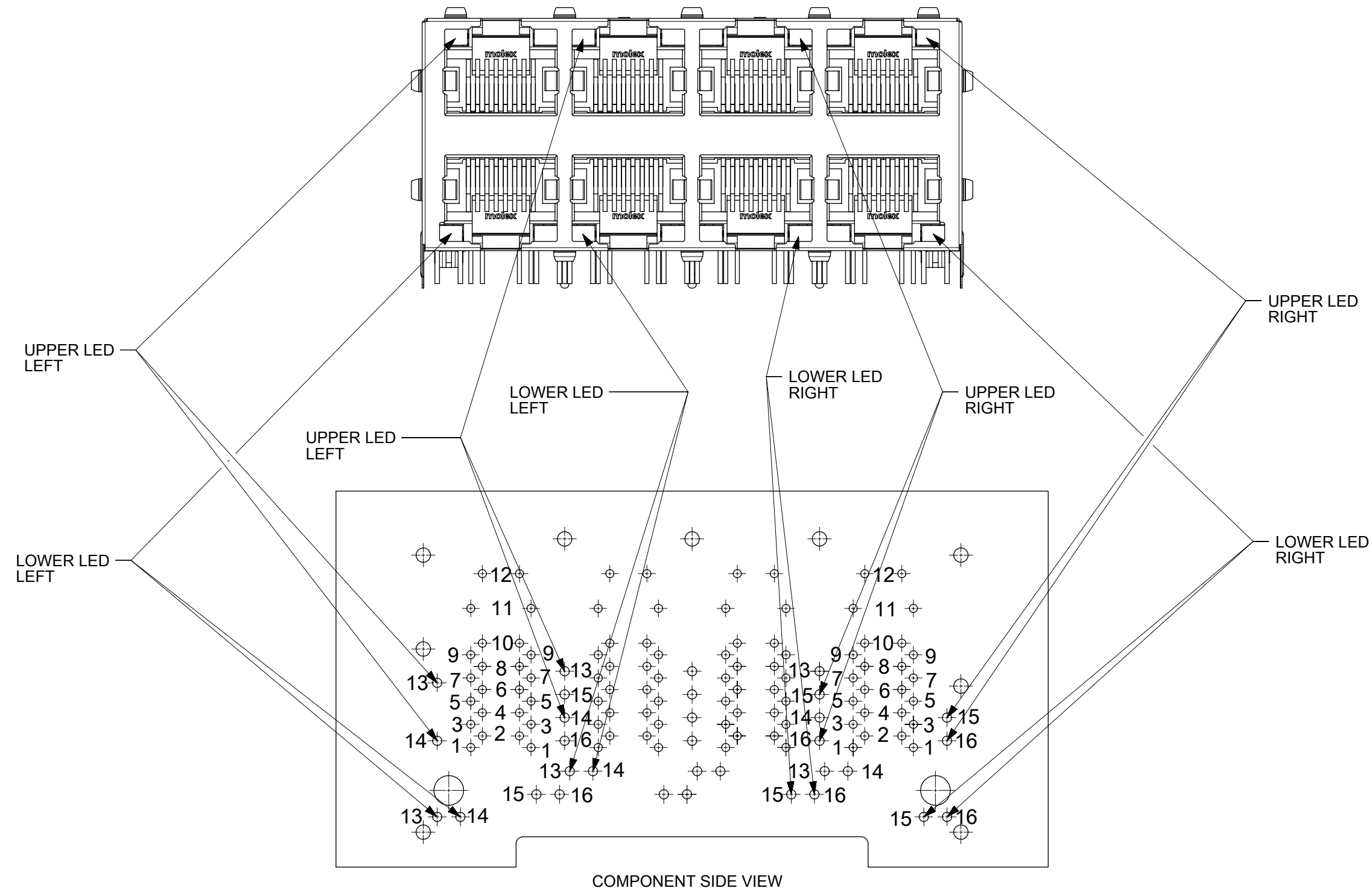
857353001	COLOUR 1	GREEN	COLOUR 1	GREEN	2,2mm	3,56mm	4.06mm
	COLOUR 2	-	COLOUR 2	-			

ADDITIONAL LED COLOURS AND CONFIGURATIONS ARE AVAILABLE ON REQUEST

NOTES:
1 - PRINTING MARKED BY LASER
2 - INSCRIPTION:
1st LINE: PART NUMBER
2nd LINE: DATE CODE (YEAR, MONTH, DAY) - MANUFACTURER ID - CONSECUTIVE NUMBER
3 - UL LOGO

SYMBOLS	THIS DRAWING CONTAINS INFORMATION THAT IS PROPRIETARY TO MOLEX ELECTRONIC TECHNOLOGIES, LLC AND SHOULD NOT BE USED WITHOUT WRITTEN PERMISSION		
	DIMENSION UNITS	SCALE	CURRENT REV DESC: SEE REV CHART
▽ = 0	mm	2:1	EC NO: 623893 DRWN: GWU15 2019/09/11 CHK'D: KLANG 2019/09/12 APPR: KLANG 2019/09/12
▽ = 0	GENERAL TOLERANCES (UNLESS SPECIFIED)		
▽ = 0	ANGULAR TOL ± 0.5°		INITIAL REVISION: DRWN: MMANGARUDOV 2011/12/14 APPR: SSTEINKE 2012/12/07
▽ = 0	4 PLACES	±	
▽ = 0	3 PLACES	±	MATERIAL NUMBER SERIES DRAWING
▽ = 0	2 PLACES	± 0.25	
▽ = 0	1 PLACE	± 0.5	SERIES DRAWING
▽ = 0	0 PLACES	±	
▽ = 0	DRAFT WHERE APPLICABLE MUST REMAIN WITHIN DIMENSIONS		THIRD ANGLE PROJECTION
▽ = 0			DRAWING A2-SIZE
			SHEET NUMBER 3 OF 4

molex			
GIGABIT MAGNETIC JACK POE PLUS ENABLED 2X4 LED			
PRODUCT CUSTOMER DRAWING			
DOCUMENT NUMBER	DOC TYPE	DOC PART	REVISION
SD-85735-101	PSD	001	C2
MATERIAL NUMBER	CUSTOMER		SHEET NUMBER
SEE PN TABLE	GENERAL MARKET		3 OF 4



UPPER PIN POSITION	LOWER PIN POSITION	LEFT LED COLOUR	
		1	2
13	13	+	-
14	14	-	+

UPPER PIN POSITION	LOWER PIN POSITION	RIGHT LED COLOUR	
		1	2
15	15	+	-
16	16	-	+

PIN	ETHERNET MAGNETICS
1	TD 0+
2	TD 0-
3	TD 1+
4	TD 1-
5	TD 2+
6	TD 2-
7	TD 3+
8	TD 3-
9	Vcc
10	GND
11	PWR 3-6
12	PWR 1-2

	MDI-X	MDI
PIN 11	Vc +	Vc -
PIN 12	Vc -	Vc +

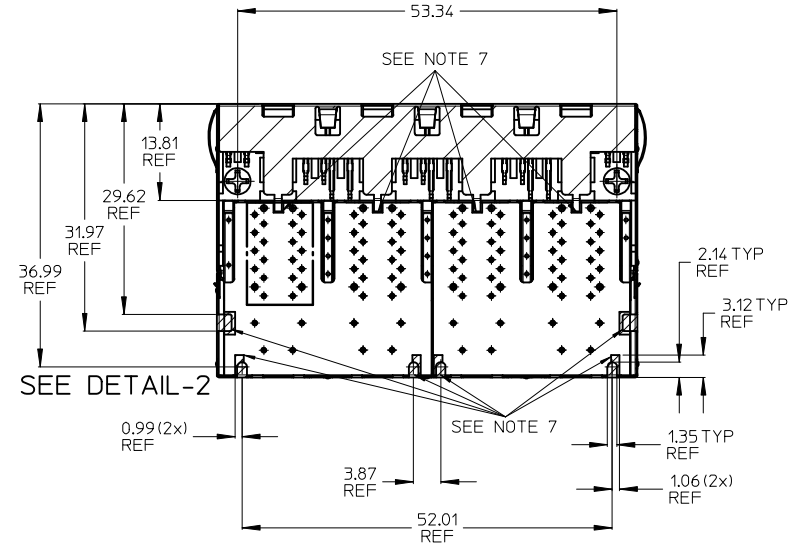
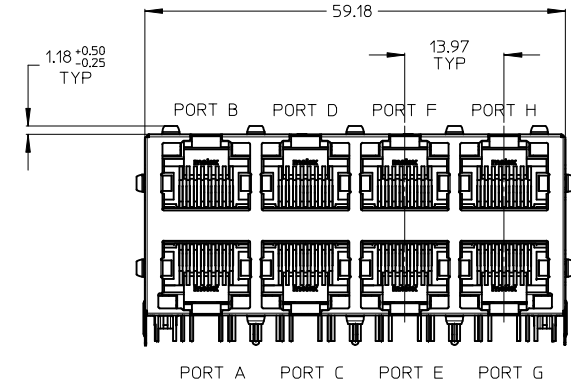
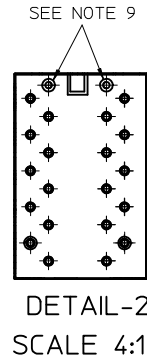
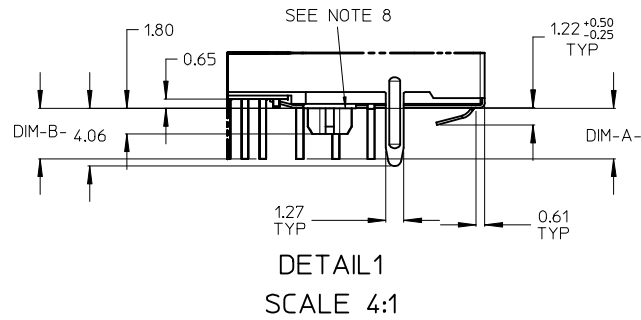
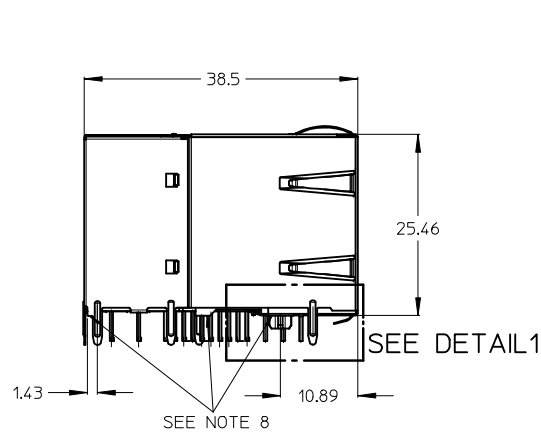
POWER-SUPPLY POLARITY DEFINITION TO ACHIEVE PoE POWER ASSIGNMENT ACCORDING IEEE Std802.3-2012 ALTERNATIVE A:

SYMBOLS	THIS DRAWING CONTAINS INFORMATION THAT IS PROPRIETARY TO MOLEX ELECTRONIC TECHNOLOGIES, LLC AND SHOULD NOT BE USED WITHOUT WRITTEN PERMISSION	
	DIMENSION UNITS	SCALE
▽ = 0	mm	2:1
▽ = 0	GENERAL TOLERANCES (UNLESS SPECIFIED)	
▽ = 0	ANGULAR TOL ± 0.5°	
▽ = 0	4 PLACES ±	EC NO: 623893
▽ = 0	3 PLACES ±	DRWN: GWU15 2019/09/11
▽ = 0	2 PLACES ± 0.25	CHK'D: KLANG 2019/09/12
▽ = 0	1 PLACE ± 0.5	APPR: KLANG 2019/09/12
▽ = 0	0 PLACES ±	INITIAL REVISION:
▽ = 0	DRAFT WHERE APPLICABLE MUST REMAIN WITHIN DIMENSIONS	DRWN: MMANGARUDOV 2011/12/14
	THIRD ANGLE PROJECTION	APPR: SSTEINKE 2012/12/07
	DRAWING	SERIES
	A2-SIZE	85735
	MATERIAL NUMBER	CUSTOMER
	SEE PN TABLE	GENERAL MARKET
	DOCUMENT NUMBER	DOC TYPE DOC PART REVISION
	SD-85735-101	PSD 001 C2
	SHEET NUMBER	4 OF 4

**GIGABIT 8 PORT MAGNETIC JACK WITH LED'S
AND INTEGRATED POWER OVER ETHERNET TRANSFORMERS
WITHOUT POWER LINE CHOKE
ACCORDING TO IEEE Std802.3-2012 FOR PSE (30 WATT) APPLICATIONS**

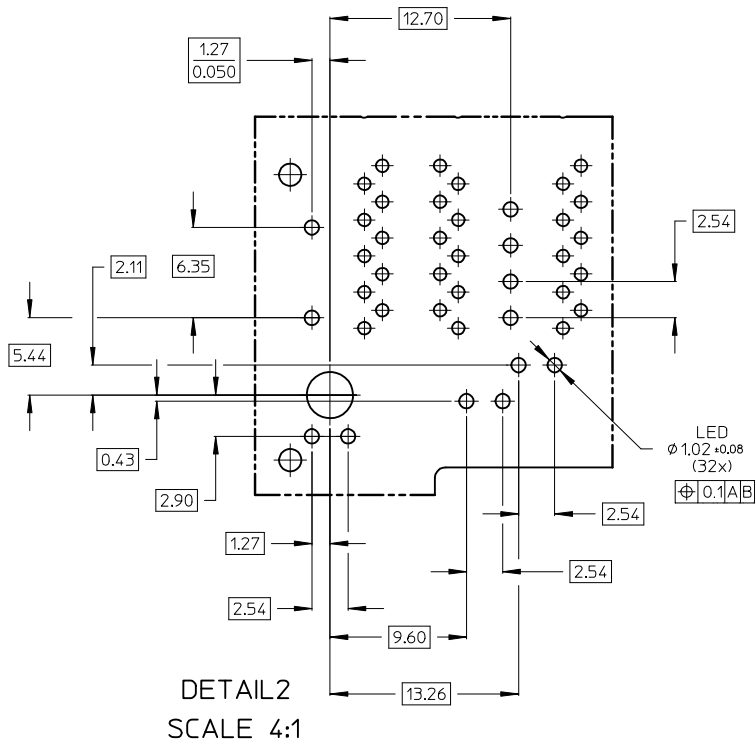
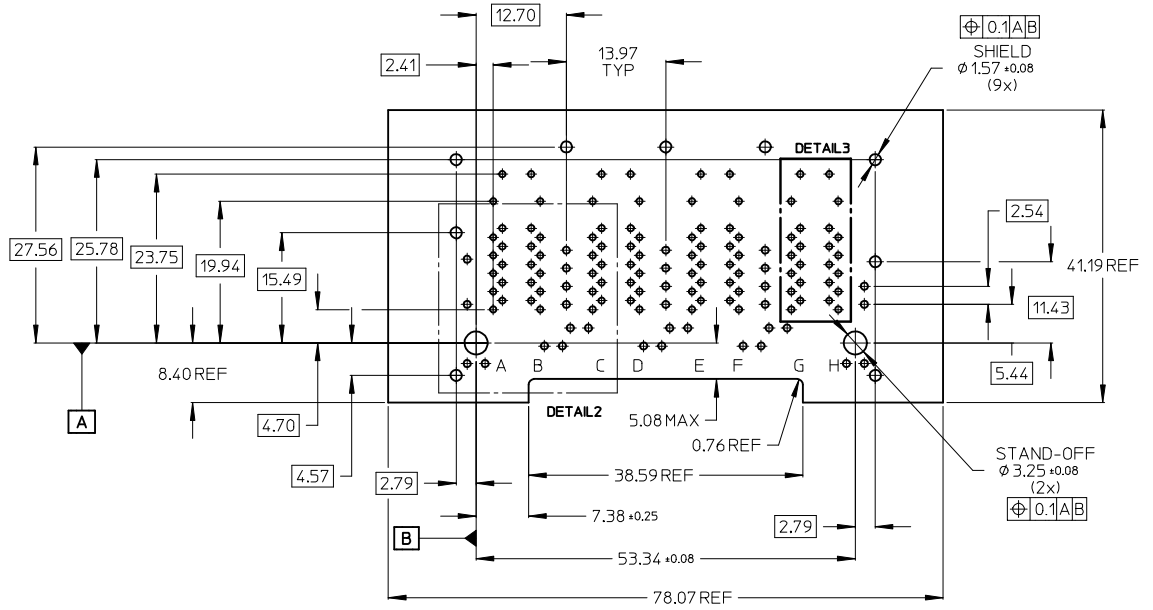
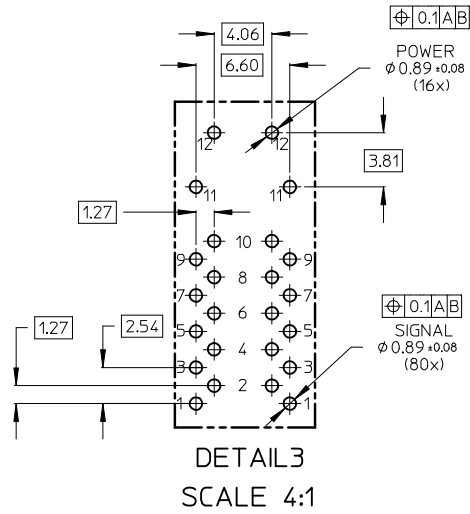
PART NUMBER	UPPER & LOWER LED LEFT		UPPER & LOWER LED RIGHT		LED PIN DIM-A-	SIGNAL PIN DIM-B-
	COLOUR 1	COLOUR 2	COLOUR 1	COLOUR 2		
85735-2001	GREEN	—	GREEN	—	3.56 MM	3.56 MM
85735-2004	GREEN	ORANGE	GREEN	ORANGE	3.56 MM	3.56 MM

ADDITIONAL LED COLOURS ARE CONFIGURATIONS
AVAILABLE ON REQUEST



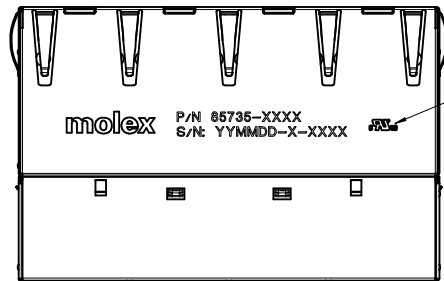
- NOTES:**
- 1 - SHIELD MATERIAL: BRASS; PLATING: NICKEL PRE-PLATING
 - 2 - PLASTIC MATERIAL: POLYESTER (PBT) BLACK, 30%GR, UL 94V-0
 - 3 - RJ45 TERMINALS MATERIAL: COPPER ALLOY
CONTACT PLATING: 0.76 MICROMETER GOLD OVER 1.9 MICROMETER NICKEL
PHY TERMINALS: TIN PLATED
 - 4 - MATING INTERFACE ACCORDING TO IEC 60603-7
 - 5 - PRODUCT SPECIFICATION: PS-85732-001
 - 6 - PACKAGING SPECIFICATION: PK-85735-001
 - 7 - TRACES WITHOUT INSULATION NOT ALLOWED IN THE DASHED AREAS & LATCHES (TO AVOID SHORTS TO SHIELD)
 - 8 - STAND OFF TO SYSTEM BOARD
 - 9 - STUBBED PINS -> AVOID TO ROUTE TRACES OR TO PLACE ANY VIAS OR PADS BELOW THESE PINS
 - 10 - FOR MAGNETICS AND LED INFORMATION SEE SPEC PS-85732-001

REV	DESCRIPTION	QUALITY SYMBOLS	GENERAL TOLERANCES (UNLESS SPECIFIED)		DIMENSION STYLE		SCALE	DESIGN UNITS	THIRD ANGLE PROJECTION	
			mm	INCH	MM ONLY	2:1	METRIC			
0		$\nabla=0$	4 PLACES	± ---	± ---	DRAWN BY	DATE	TITLE	GIGABIT MAGNETIC JACK POE PLUS ENABLED 2X4 LED	
1		$\nabla=0$	3 PLACES	± ---	± ---	JBADER	2013/07/02			
			2 PLACES	± 0.25	± ---	CHECKED BY	DATE		MOLEX INCORPORATED	
			1 PLACE	± 0.5	± ---	MMANGARUDOV	2013/07/02			
			ANGULAR ± .5 °			APPROVED BY	DATE		SD-85735-201	
						SSTE INKE	2013/10/31			
			DRAFT WHERE APPLICABLE MUST REMAIN WITHIN DIMENSIONS			MATERIAL NO.		DOCUMENT NO.	SHEET NO. 1 OF 4	
						SIZE	THIS DRAWING CONTAINS INFORMATION THAT IS PROPRIETARY TO MOLEX INCORPORATED AND SHOULD NOT BE USED WITHOUT WRITTEN PERMISSION			

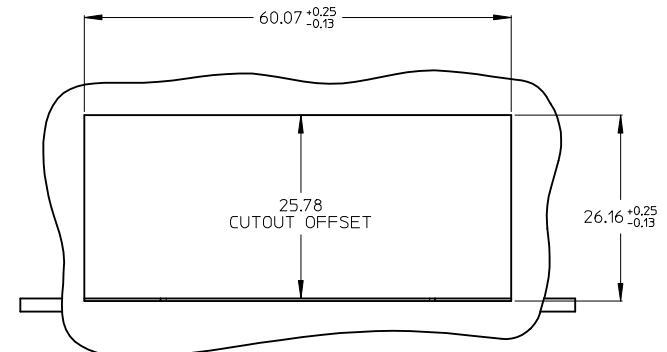


INCH DIM DELETED	EC NO:	20150115	QUALITY SYMBOLS		GENERAL TOLERANCES (UNLESS SPECIFIED)		DIMENSION STYLE		SCALE	DESIGN UNITS	THIRD ANGLE PROJECTION
	DRWN:	JBADER	20150115	▽=0	mm INCH		MM ONLY		2:1	METRIC	
	CHKD:	MMANGARUDOV	20150115	▽=0	4 PLACES ± --- ± ---	DRAWN BY DATE		TITLE		GIGABIT MAGNETIC JACK POE PLUS ENABLED 2X4 LED	
	APPR:	SSTEINKE	20150708		3 PLACES ± --- ± ---	JBADER 2013/07/02					
REV	DESCRIPTION			2 PLACES ± 0.25 ± ---	CHECKED BY DATE				MOLEX INCORPORATED		
				1 PLACE ± 0.5 ± ---	MMANGARUDOV 2013/07/02						
				ANGULAR ± .5 °	APPROVED BY DATE				DOCUMENT NO. SD-85735-201		
					SSTEINKE 2013/10/31						
					MATERIAL NO.		SEE SHEET 1		SHEET NO. 2 OF 4		
					DRAFT WHERE APPLICABLE MUST REMAIN WITHIN DIMENSIONS		SIZE A2		THIS DRAWING CONTAINS INFORMATION THAT IS PROPRIETARY TO MOLEX INCORPORATED AND SHOULD NOT BE USED WITHOUT WRITTEN PERMISSION		

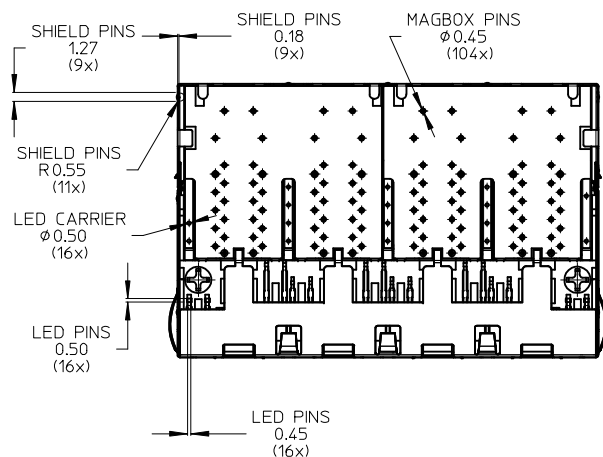
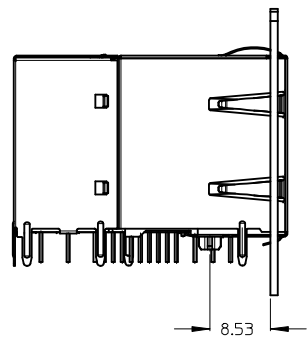
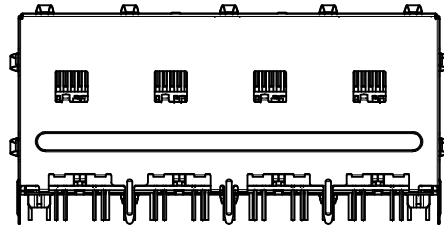
PRINTING
 LED VERSION
 P/N: 85735-XXXX
 S/N: YYMMDD-CM-CONSECUTIVE NUMBER



SEE NOTE 3

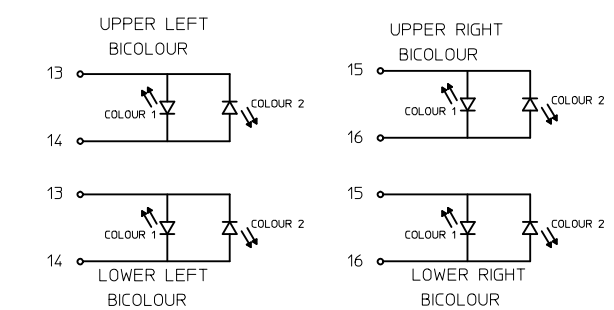
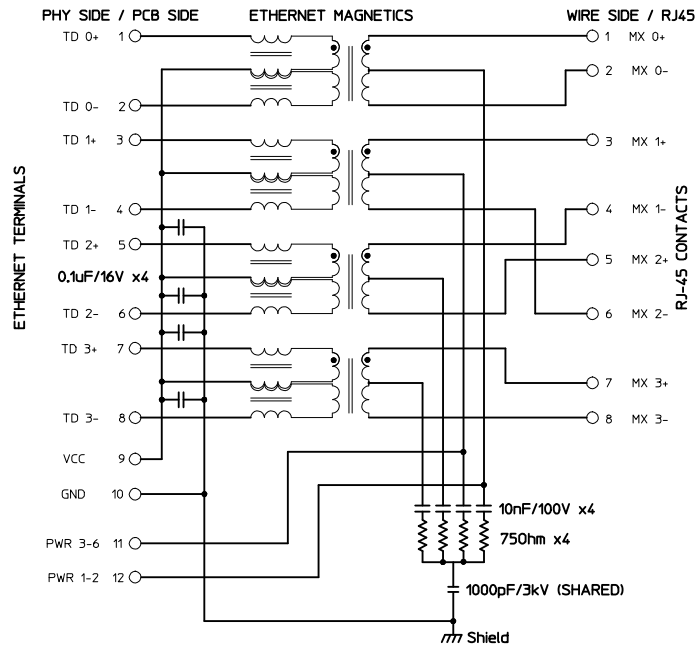
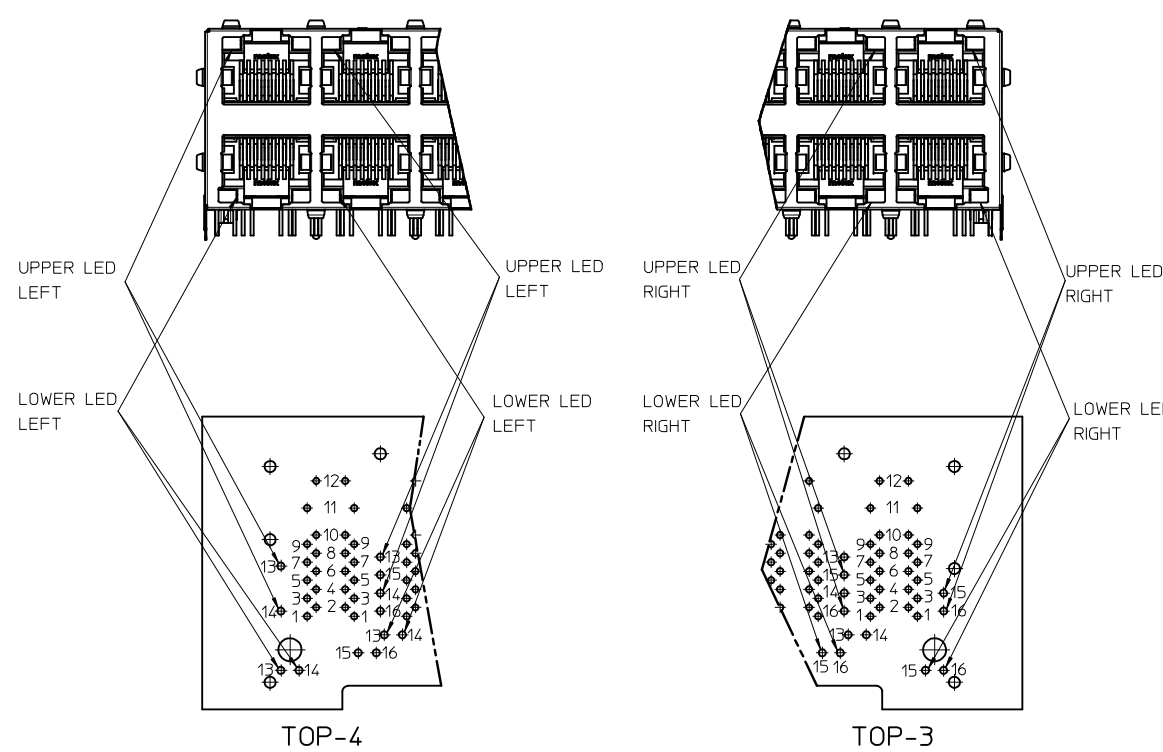


SUGGESTED PANEL CUT OUT



NOTES:
 1 - PRINTING MARKED BY LASER
 2 - INSCRIPTION:
 1st LINE: PART NUMBER
 2nd LINE: DATE CODE (YEAR, MONTH, DAY)- MANUFACTURER ID - CONSECUTIVE NUMBER
 3 - UL LOGO

INCH DIM DELETED IEC NO: 2015/01/15 DRAWN: JBADER CHKD: MMANGARUDOV 2015/01/15 APPR: SSTEINKE 2015/07/08	DESCRIPTION GIGABIT MAGNETIC JACK POE PLUS ENABLED 2X4 LED	QUALITY SYMBOLS ▽=0 ▽=0		GENERAL TOLERANCES (UNLESS SPECIFIED) <table border="1"> <thead> <tr> <th></th> <th>mm</th> <th>INCH</th> </tr> </thead> <tbody> <tr> <td>4 PLACES</td> <td>± .005</td> <td>± .0005</td> </tr> <tr> <td>3 PLACES</td> <td>± .005</td> <td>± .0005</td> </tr> <tr> <td>2 PLACES</td> <td>± 0.25</td> <td>± .010</td> </tr> <tr> <td>1 PLACE</td> <td>± 0.5</td> <td>± .020</td> </tr> <tr> <td colspan="2">ANGULAR</td> <td>± .5°</td> </tr> </tbody> </table>			mm	INCH	4 PLACES	± .005	± .0005	3 PLACES	± .005	± .0005	2 PLACES	± 0.25	± .010	1 PLACE	± 0.5	± .020	ANGULAR		± .5°	DIMENSION STYLE MM ONLY		SCALE 2:1	DESIGN UNITS METRIC	THIRD ANGLE PROJECTION
			mm	INCH																								
		4 PLACES	± .005	± .0005																								
		3 PLACES	± .005	± .0005																								
2 PLACES	± 0.25	± .010																										
1 PLACE	± 0.5	± .020																										
ANGULAR		± .5°																										
		DRAWN BY JBADER	DATE 2013/07/02	TITLE GIGABIT MAGNETIC JACK POE PLUS ENABLED 2X4 LED																								
		CHECKED BY MMANGARUDOV	DATE 2013/07/02	MOLEX INCORPORATED																								
		APPROVED BY SSTEINKE	DATE 2013/10/31	MATERIAL NO. SEE SHEET 1		DOCUMENT NO. SD-85735-201	SHEET NO. 3 OF 4																					
		DRAFT WHERE APPLICABLE MUST REMAIN WITHIN DIMENSIONS			THIS DRAWING CONTAINS INFORMATION THAT IS PROPRIETARY TO MOLEX INCORPORATED AND SHOULD NOT BE USED WITHOUT WRITTEN PERMISSION																							



UPPER POSITION	LOWER POSITION	LEFT COLOUR	LED COLOUR
13	13	+	-
14	14	-	+

UPPER POSITION	LOWER POSITION	RIGHT COLOUR	LED COLOUR
15	15	+	-
16	16	-	+

PIN	ETHERNET MAGNETICS
1	TD 0+
2	TD 0-
3	TD 1+
4	TD 1-
5	TD 2+
6	TD 2-
7	TD 3+
8	TD 3-
9	Vcc
10	GND
11	PWR 3-6
12	PWR 1-2

POWER-SUPPLY POLARITY DEFINITION TO ACHIEVE PoE POWER ASSIGNMENT ACCORDING IEEE Std802.3-2012 ALTERNATIVE A:

	MDI-X	MDI
PIN 11	Vc +	Vc -
PIN 12	Vc -	Vc +

SCHEMATIC UPDATED EC NO: B DRWN: JBADER 2015/01/15 CHKD: MMANGARUDOV 2015/01/15 APPR: SSTEINKE 2015/07/08	QUALITY SYMBOLS ▽=0 ▽=0	GENERAL TOLERANCES (UNLESS SPECIFIED) <table border="1"> <tr><th></th><th>mm</th><th>INCH</th></tr> <tr><td>4 PLACES</td><td>±.005</td><td>±.0004</td></tr> <tr><td>3 PLACES</td><td>±.008</td><td>±.0003</td></tr> <tr><td>2 PLACES</td><td>±0.25</td><td>±.010</td></tr> <tr><td>1 PLACE</td><td>±0.5</td><td>±.020</td></tr> </table> ANGULAR ±.5°		mm	INCH	4 PLACES	±.005	±.0004	3 PLACES	±.008	±.0003	2 PLACES	±0.25	±.010	1 PLACE	±0.5	±.020	DIMENSION STYLE MM ONLY	SCALE 2:1	DESIGN UNITS METRIC	THIRD ANGLE PROJECTION
		mm	INCH																		
	4 PLACES	±.005	±.0004																		
	3 PLACES	±.008	±.0003																		
2 PLACES	±0.25	±.010																			
1 PLACE	±0.5	±.020																			
DRAWN BY: JBADER DATE: 2013/07/02 CHECKED BY: MMANGARUDOV DATE: 2013/07/02 APPROVED BY: SSTEINKE DATE: 2013/10/31	TITLE GIGABIT MAGNETIC JACK POE PLUS ENABLED 2X4 LED																				
MATERIAL NO. SEE SHEET 1	MOLEX INCORPORATED DOCUMENT NO. SD-85735-201																				
DRAFT WHERE APPLICABLE MUST REMAIN WITHIN DIMENSIONS	THIS DRAWING CONTAINS INFORMATION THAT IS PROPRIETARY TO MOLEX INCORPORATED AND SHOULD NOT BE USED WITHOUT WRITTEN PERMISSION																				