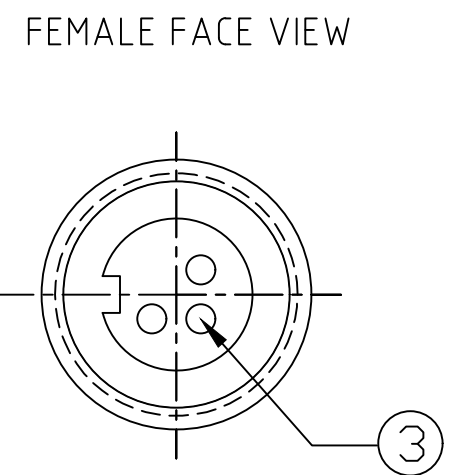
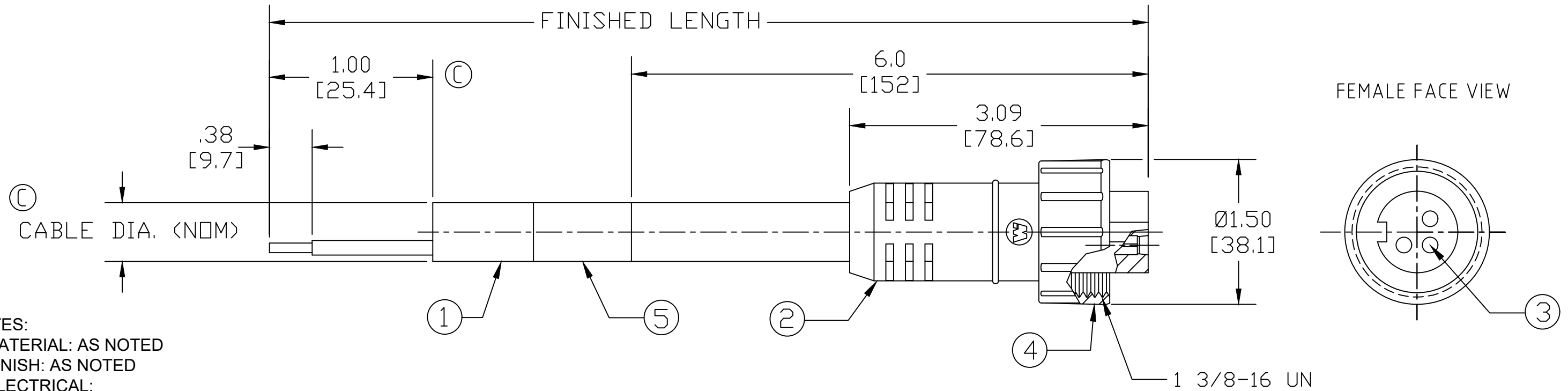


CABLE LENGTH TOLERANCES

>.3M [1FT]: +19mm-0 [+ .75in-0]
.3 - .9M [1 - 3FT]: +44.5mm-0 [+1.75in-0]
.9 - 1.8M [3 - 6FT]: +55.6mm-0 [+2.19in-0]
1.8 - 3.7M [6 - 12FT]: +88.9mm-0 [+3.50in-0]
3.7 - 7.3M [12 - 24FT]: +165.1mm-0 [+6.50in-0]
7.3-14.6M [24 - 48FT]: +317.5mm-0 [+12.50in-0]
14.6 - 30.5M [48-100FT]: +622.3mm-0 [+24.50in-0]
OVER 30M [100FT] +2% OF FINISHED LENGTH

POLES	MATERIAL NO.	ENGINEERING NO.	FINISHED LENGTH	CABLE DIA. (NOM)
2	1300000018	32022	3.0 FT. [0.9M]	.53 [13.5]
	1300000019	32023	6.0 FT. [1.8M]	
	1300000021	32024	12.0 FT. [3.7M]	
3	1300000042	32322	3.0 FT. [0.9M]	.55 [14.0]
	1300000043	32323	6.0 FT. [1.8M]	
	1300000044	32324	12.0 FT. [3.7M]	

Ⓒ REF. FOR 4P ASSY. SEE 1300000009 PSD



- NOTES:
1. MATERIAL: AS NOTED
 2. FINISH: AS NOTED
 3. ELECTRICAL:
VOLTAGE: 600V AC/DC
CURRENT: 2P & 3P: 18A
 4. TEMP RATING: -25°C TO +90°C
 5. PROTECTION: IP67 (WHEN MATED)
 6. COUPLING THREAD: AS NOTED
 7. ALL DIMS ARE FOR REFERENCE UNLESS TOLERENCED OR NOTED OTHERWISE

ITEM	COMPONENT	MATERIAL	FINISH
5	WRAP LABEL	VINYL	BLACK/YELLOW
4	COUPLING NUT	THERMOPLASTIC	BLACK
3	CONTACT SOCKET	COPPER ALLOY	UN-PLATED
2	OVERMOLD	RUBBER	YELLOW
1	CABLE-14 AWG SODW	CPE JACKET	YELLOW

SYMBOLS		THIS DRAWING CONTAINS INFORMATION THAT IS PROPRIETARY TO MOLEX ELECTRONIC TECHNOLOGIES, LLC AND SHOULD NOT BE USED WITHOUT WRITTEN PERMISSION	
▽ = 0	DIMENSION UNITS	SCALE	CURRENT REV DESC: REV'D PER LATEST DOC STD. ADD NOTE 7, 1.00 WAS 3.00, ADD CABLE DIA. REMOVED 4P, SEE 1300000009 PSD
▽ = 0	INCH/MM	1:1	
▽ = 0	GENERAL TOLERANCES (UNLESS SPECIFIED)		
▽ = 0		mm	INCH
▽ = 0	4 PLACES	±---	±---
▽ = 0	3 PLACES	±---	±---
▽ = 0	2 PLACES	±---	±0.01
▽ = 0	1 PLACE	±0.3	±---
▽ = 0	0 PLACES	±---	±---
▣ = 0	ANGULAR TOL ± 2.0°		
▽ = 0	DRAFT WHERE APPLICABLE MUST REMAIN WITHIN DIMENSIONS		
THIRD ANGLE PROJECTION		DRAWING	SERIES
		B-SIZE	130000
MATERIAL NUMBER		CUSTOMER	SHEET NUMBER
SEE MAT. NO. CHART		GENERAL MARKET	1 OF 1

molex

QUICK CHANGE CABLE ASSY
2-3P FEMALE, 14 AWG

PRODUCT CUSTOMER DRAWING

DOCUMENT NUMBER	DOC TYPE	DOC PART	REVISION
SD-130000-004	PSD	001	C