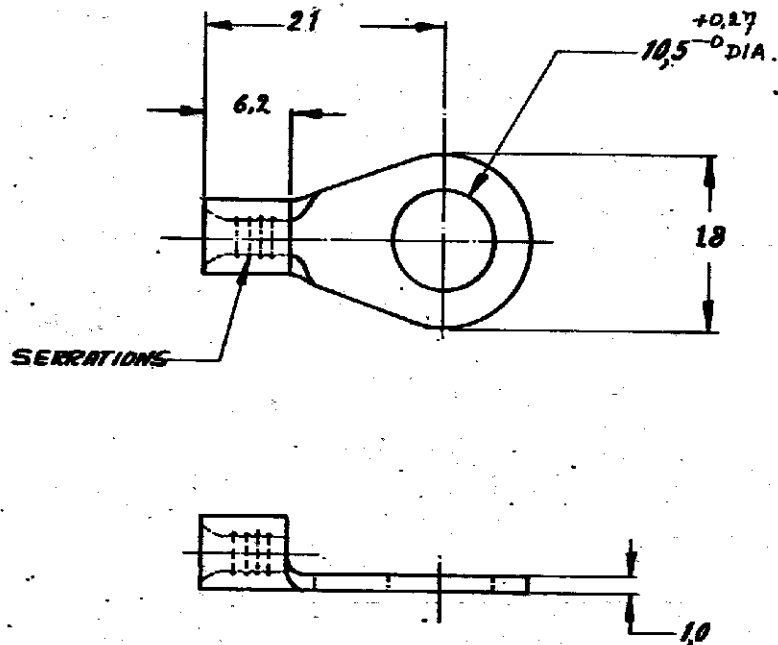


DRAWING MADE IN AMERICAN PROJECTION

NUMBER
C-165305-E



DIMENSIONS IN IN. DO NOT SCALE PRINT

CUSTOMER COPY FOR REFERENCE ONLY

©1967 BY AMP-HOLLAND N.V. ALL RIGHTS RESERVED A-MP PRODUCTS COVERED BY PATENTS AND/OR PATENTS PENDING.



AMP-HOLLAND N.V.
HERTOGGHOSCH
HOLLAND

165305	COPPER	TINPLATED				
ORDER NO.	MATERIAL	PLATING				
R. BOND.T.	23/ DATE 1/6-67	DR. C.J. Paver	24/ DATE 1/10/67			
CHK	DATE	APP	DATE			

WIRE RANGE 4-6 MTT ²	INSUL. RANGE —	TYPE - DIM - Solid END	SCALE —	LOC H	SIZE A	NO C-165305-E	REV C
NAME RINGTONGUE stud: M 10							