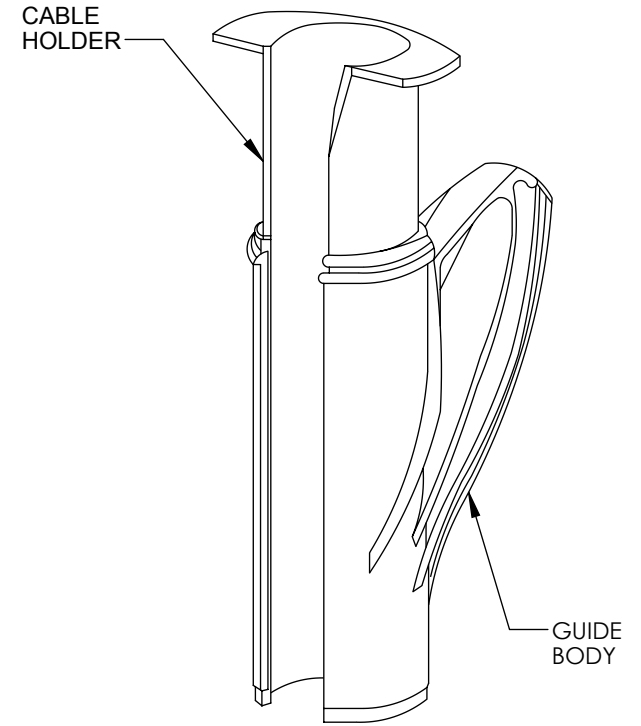
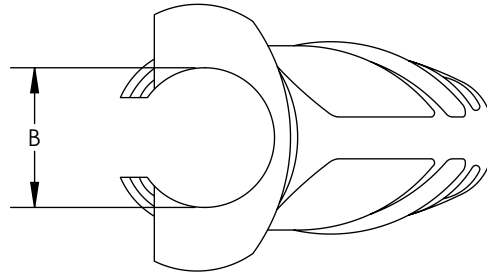
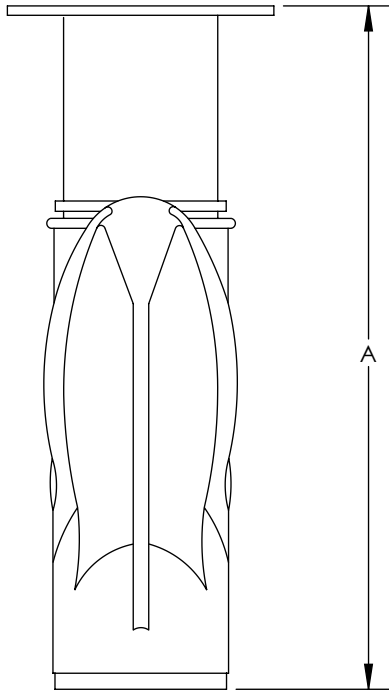


SW2015



Revision level			Revision Record	Changed	Date	Approved	Date
Drawing	State	Part					
00.0	Design Release		SEE ECN# 013695	GRW	1/26/2017	KAC	1/26/2017



TYPE	SIZE	HEIGHT (A)	DIAMETER (B)
BSWTOOL14	1/4	2.80	.37
BSWTOOL12	1/2	3.19	.63
BSWTOOL34	3/4	3.94	.79
BSWTOOL1	1	4.45	.96
BSWTOOL114	1 1/4	5.67	1.22

Material  
**POLYPROPYLENE (BODY) & POLYACETAL (CABLE HOLDER)**

Units: **inches**  
 Dimension without tolerances details to:  
 .xxxx = ±.0005  
 .xxx = ±.005  
 .xx = ±.01  
 .x = ±.03  
 None = ±.06  
 < = ±0.5°  
 Dimension Formatted in/[mm]

The copyright of this drawing is reserved by HellermannTyton. It is issued on condition that it is not reproduced, copied, or disclosed to a third party, either wholly or in part, without the consent of HellermannTyton.

Drawn	GRW	1/26/2017
Approved	KAC	1/26/2017
North America Email: corp@htamericas.com Web: www.hellermann.tyton.com		

Article/Type-No	BSWTOOL	Scale
Title	<b>BRAIDED SLEEVING INSTALLATION TOOL</b>	Project Number PRP 17-0421
Drawing-No	<b>17-0421-001-CSU</b>	Format AH
Production : Phase		Sheet 1/1