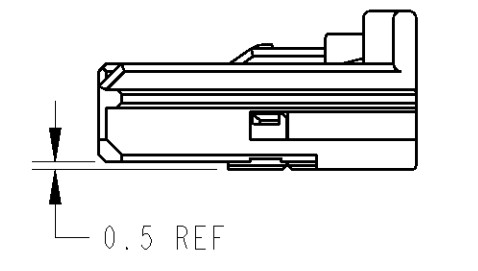
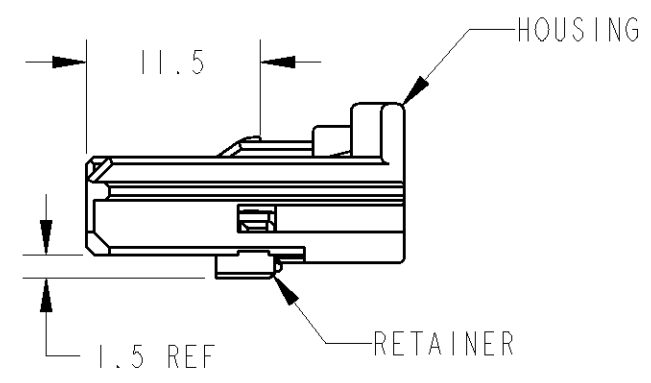
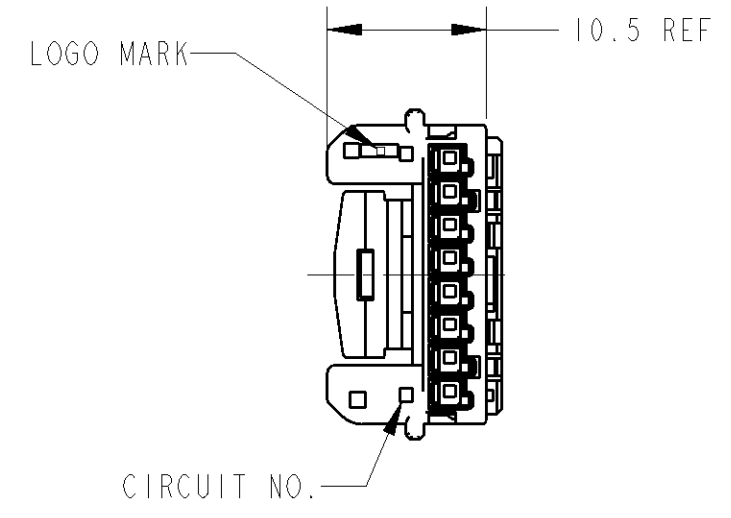
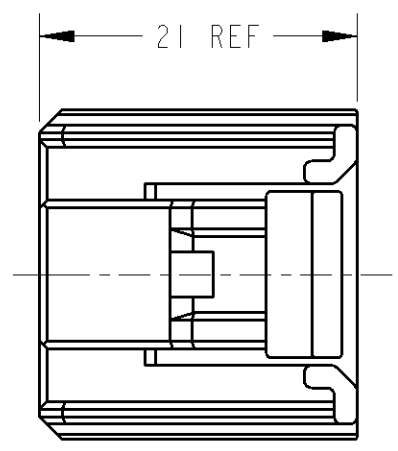
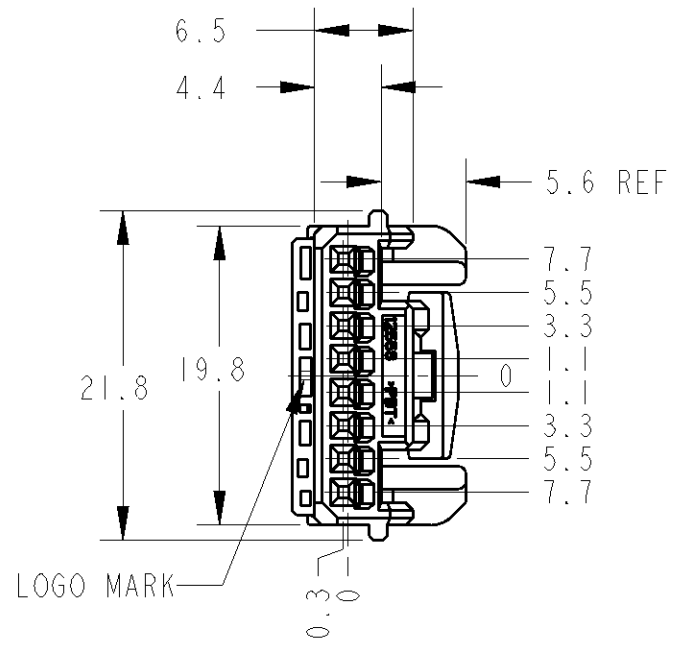


THIS DRAWING IS UNPUBLISHED. RELEASED FOR PUBLICATION 20  
 © COPYRIGHT 20 BY TYCO ELECTRONICS CORPORATION. ALL RIGHTS RESERVED.

LOC	DIST	REVISIONS						
		P	LTR	DESCRIPTION	ECN	DATE	DWN	APVD
J	-		0	RELEASED	FJA0-0387-04	13AUG04	YM	HY
			01	REVISED	FJA0-0014-05	7JAN05	YM	HY
			A	REVISED	ECR-10-007503	10MAY10	TS	KB



1. RETAINER SHOULD BE PRE-ASSEMBLED CONDITION TO HOUSING.
2. INSTRUCTION SHEET NO. 411-78080.
3. PART NUMBER OF CAP HOUSING TO BE MATED : SEE TABLE-1
4. APPLIED TERMINALS : SEE TABLE-2

1. プラグハウジングにリテーナを仮係止して出荷される
2. 取扱説明書NO. 411-78080
3. 嵌合相手型番 : TABLE-1参照
4. 適用端子 : TABLE-2参照

PRE-ASSEMBLED CONDITION  
仮係止状態

FINAL LOCK CONDITION  
本係止状態

TABLE-1

POS 極数	CAP ASSEMBLY PART NO. キャップ番号
8	1376366 1747285

TABLE-2

		TERMINAL NO. 端子型番	APPLICABLE WIRE RANGE 適用電線
SIGNAL 0.64111	TIN	1674311-1	AVSS/CAVS/CAVUS/AVSSH-f 0.3~0.5mm <sup>2</sup>
	SELECTIVE GOLD	1674311-2	

PAPER BOX タンボール	PLASTIC BAG ビニール袋	BLACK	1746875-2
		NATURAL	1746875-1
OUTER 外装	INNER 内装	COLOR	PART NUMBER
PACKING STYLE 梱包形態			

THIS DRAWING IS A CONTROLLED DOCUMENT FOR TYCO ELECTRONICS CORPORATION  
IT IS SUBJECT TO CHANGE AND THE CONTROLLING ENGINEERING ORGANIZATION  
SHOULD BE CONTACTED FOR THE LATEST REVISION.

DIMENSIONS: 単位: 概 mm	TOLERANCES UNLESS OTHERWISE SPECIFIED: 一般公差 ±0.3 0-PLC ± 1-PLC ±0.1 2-PLC ±0.01 3-PLC ±0.001 4-PLC ±0.0001 ANGLES ±3'00"	DWN Y. MITO 13AUG04 CHK H. YAMAGAMI 13AUG04 APVD S. ISOHATA 13AUG04	Tyco Electronics Corporation Kawasaki, Japan	
MATERIAL 材料 PBT	FINISH 仕上 SEE TABLE	PRODUCT SPEC 製品規格 108-5931 APPLICATION SPEC 取付適用規格 114-5329	NAME 名称 0.64111 CONNECTOR 1ROW 8 POSITION PLUG ASSEMBLY	
		WEIGHT 2.27 g	SIZE A3	CAGE CODE 00779
CUSTOMER DRAWING			DRAWING NO. 番号 C=1746875	RESTRICTED TO -
			SCALE 尺度 2:1	SHEET 1 OF 1 REV A