

11.90	13.54	504622-7070	o	---	70
10.85	12.49	504622-6470	o	---	64
10.15	11.79	504622-6070	---	---	60
9.10	10.74	504622-5470	---	---	54
8.40	10.04	504622-5070	o	---	50
8.05	9.69	504622-4870	---	---	48
7.00	8.64	504622-4270	---	---	42
6.65	8.29	504622-4070	o	---	40
5.60	7.24	504622-3470	o	---	34
4.90	6.54	504622-3070	o	---	30
3.85	5.49	504622-2470	o	---	24
3.15	4.79	504622-2070	o	---	20
2.80	4.44	504622-1870	---	---	18
2.45	4.09	504622-1670	---	---	16
1.75	3.39	504622-1270	---	---	12
1.40	3.04	504622-1070	o	---	10
0.70	2.34	504622-0670	---	---	6

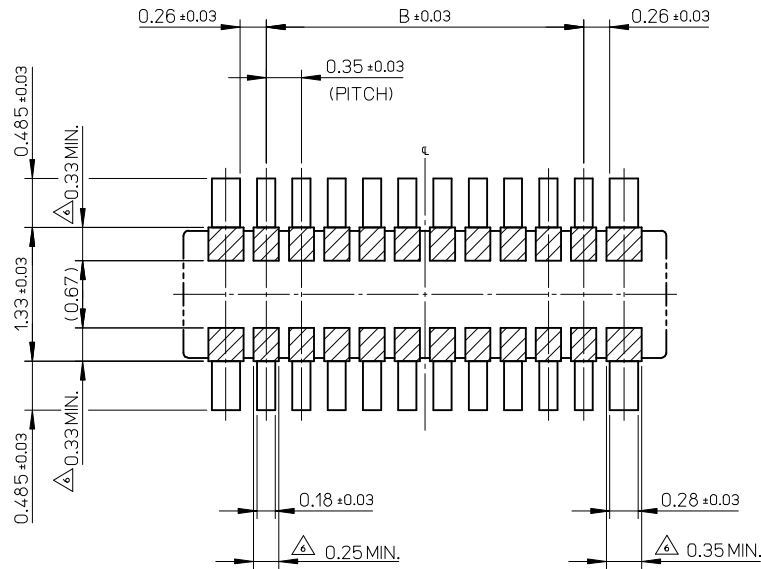
B	A	EMBOSSSED TAPE PACKAGE	HIGH VOL. TOOL	LOW VOL. TOOL	CIRCUIT
ORDER NO.			SAMPLE PREPARATION		
			o : TOOLED		
			Δ : WORK IN PROCESS		
			--- : TOOLING TO BE CONFIRMED		

CONNECTOR SERIES No. : 504622-**79

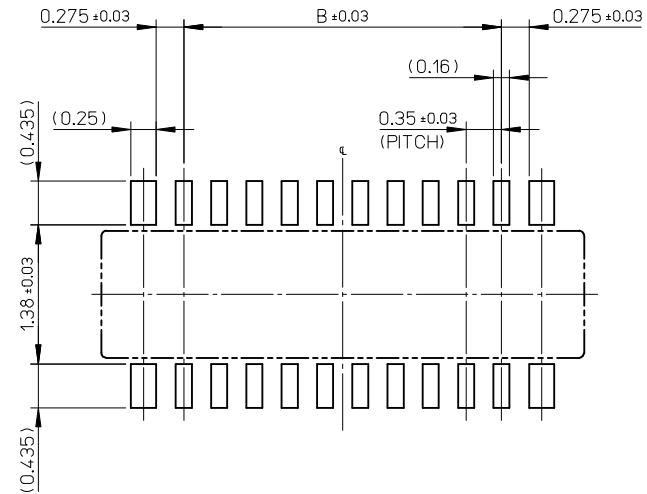
NOTES

- MATERIAL
 WAFER : LIQUID CRYSTAL POLYMER UL94V-0(COLOR : BLACK)
 PIN : COPPER ALLOY
 FITTING NAIL : COPPER ALLOY
- PLATING
 TERMINAL
 GOLD
 UNDER PLATING : NICKEL
 *DIVIDE INTO PARTS THE GOLD PLATING OF THE CONTACT AND THE TAIL PART BY THE NICKEL PLATING.
 FITTING NAIL
 GOLD
 UNDER PLATING : NICKEL
- APPLY FOR (CIRCUIT/2)-EVEN.
- MATE WITH : 504618-**10
- TAIL AND FITTING NAIL COPLANARITY TO BE 0.08MAXIMUM.
- PROHIBITED AREA OF PATTERN WIRING AND SOLDER.
 (FOR EACH AREA, THE WIRING THAT TOUCHES ON THE SOLDER CAN BE ATTACHED, THEN COVERED WITH A FILM TO KEEP SOLDER OUT.)
- ELV and RoHS COMPLIANT.
- ELECTRIC SPEC OF FITTING NAIL IS NOT GUARANTEED WHEN MATED.

REVISED EC NO: J2015-0705 DRWN:MYOSHIDA 2014/11/26 CHKD:RTAKEUCHI 2014/11/26 APPR:KMORIKAWA 2014/12/03	GENERAL TOLERANCES (UNLESS SPECIFIED)		DIMENSION STYLE	SCALE	DESIGN UNITS	TITLE 0.35 BB CONN. H=0.6 SSB6 PLUG ASSY CHECKER TYPE. molex DOCUMENT NO. SD-504622-003 SHEET NO. 1 OF 2
	10 UNDER ±0.2		MM ONLY	20:1	METRIC	
	10 OVER 30 UNDER ±0.25		DRAWN BY	DATE	TITLE	
	30 OVER ±0.3		HON001	2014/02/24		
REV	DESCRIPTION	ANGULAR ±1 °	CHECKED BY	DATE		
		DRAFT WHERE APPLICABLE MUST REMAIN WITHIN DIMENSIONS	RTAKEUCHI	2014/02/24		
			APPROVED BY	DATE		
			KMORIKAWA	2014/08/11		
			MATERIAL NO.			
			SIZE	THIS DRAWING CONTAINS INFORMATION THAT IS PROPRIETARY TO MOLEX INCORPORATED AND SHOULD NOT BE USED WITHOUT WRITTEN PERMISSION		
			A3			

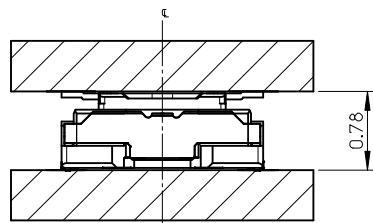


RECOMMENDED P.W.BOARD PATTERN LAYOUT(REFERENCE)



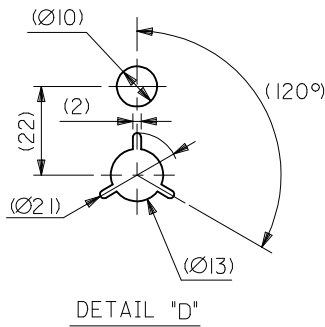
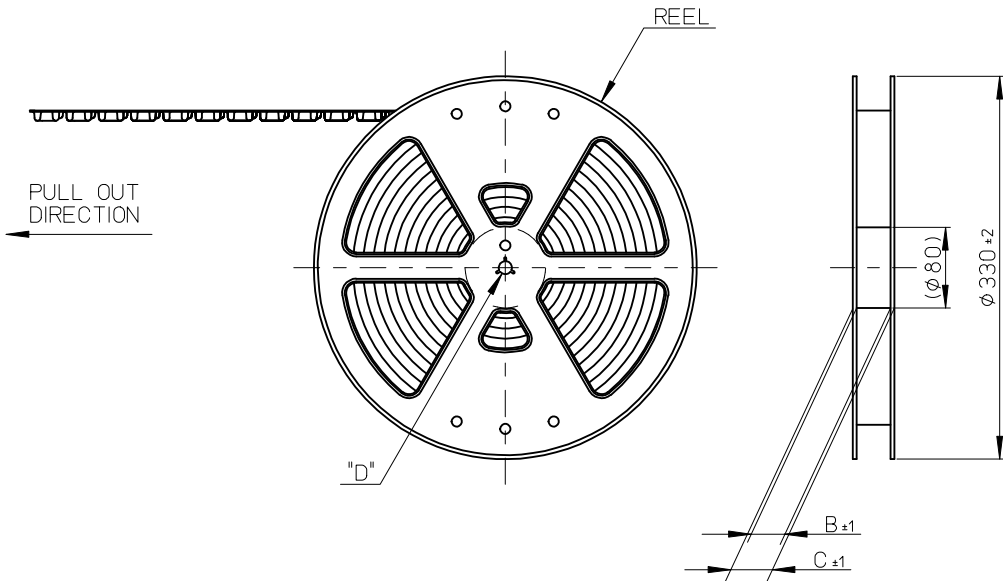
RECOMMENDED METAL MASK LAYOUT(REFERENCE)

RECOMMENDED THICKNESS OF METAL MASK : t=0.08mm
 RECOMMENDED OPEN APERTURE RATIO OF METAL MASK : 80%



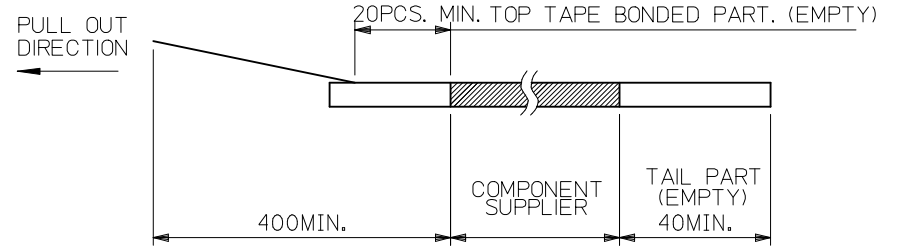
MATED CONDITION

REVISED EC NO: J2015-0705 DRWN:MYOSHIDA 2014/11/26 CHKD:RTAKEUCHI 2014/11/26 APPR:KMORIKAWA 2014/12/03	GENERAL TOLERANCES (UNLESS SPECIFIED)		DIMENSION STYLE MM ONLY	SCALE 20:1	DESIGN UNITS METRIC	THIRD ANGLE PROJECTION
	10 UNDER	± 0.2	DRAWN BY HON001	DATE 2014/02/24	TITLE	
	10 OVER 30 UNDER	± 0.25	CHECKED BY RTAKEUCHI	DATE 2014/02/24	0.35 BB CONN. H=0.6 SSB6 PLUG ASSY CHECKER TYPE.	
	30 OVER	± 0.3	APPROVED BY KMORIKAWA	DATE 2014/08/11	molex	
	ANGULAR ± 1 °	DRAFT WHERE APPLICABLE MUST REMAIN WITHIN DIMENSIONS		MATERIAL NO. SEE SHEET 1	DOCUMENT NO. SD-504622-003	SHEET NO. 2 OF 2
		THIS DRAWING CONTAINS INFORMATION THAT IS PROPRIETARY TO MOLEX INCORPORATED AND SHOULD NOT BE USED WITHOUT WRITTEN PERMISSION				



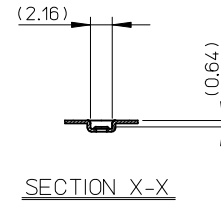
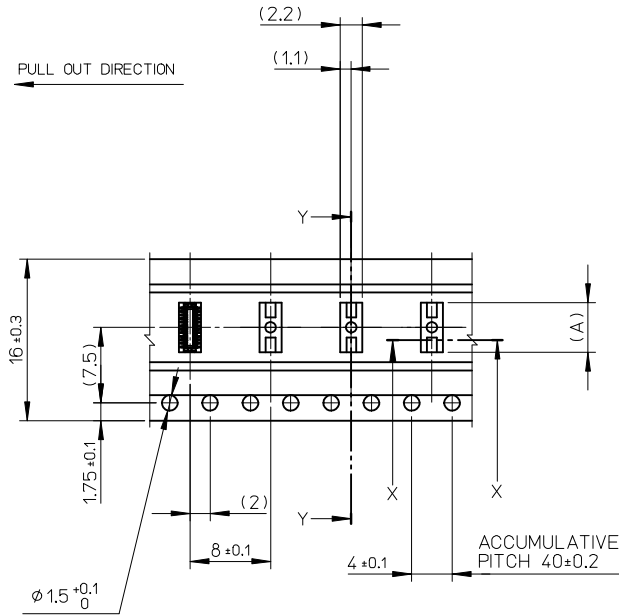
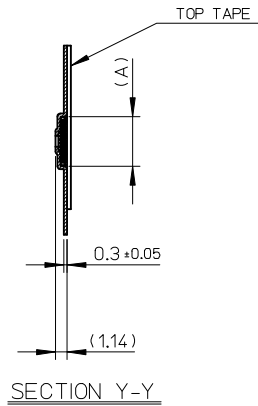
NOTES

1. RE DETAILED DIMENSION, SEE PRODUCT DRAWING.
2. NUMBER OF CONNECTORS : 3000PCS/REEL
3. LEAD TAPE LENGTH



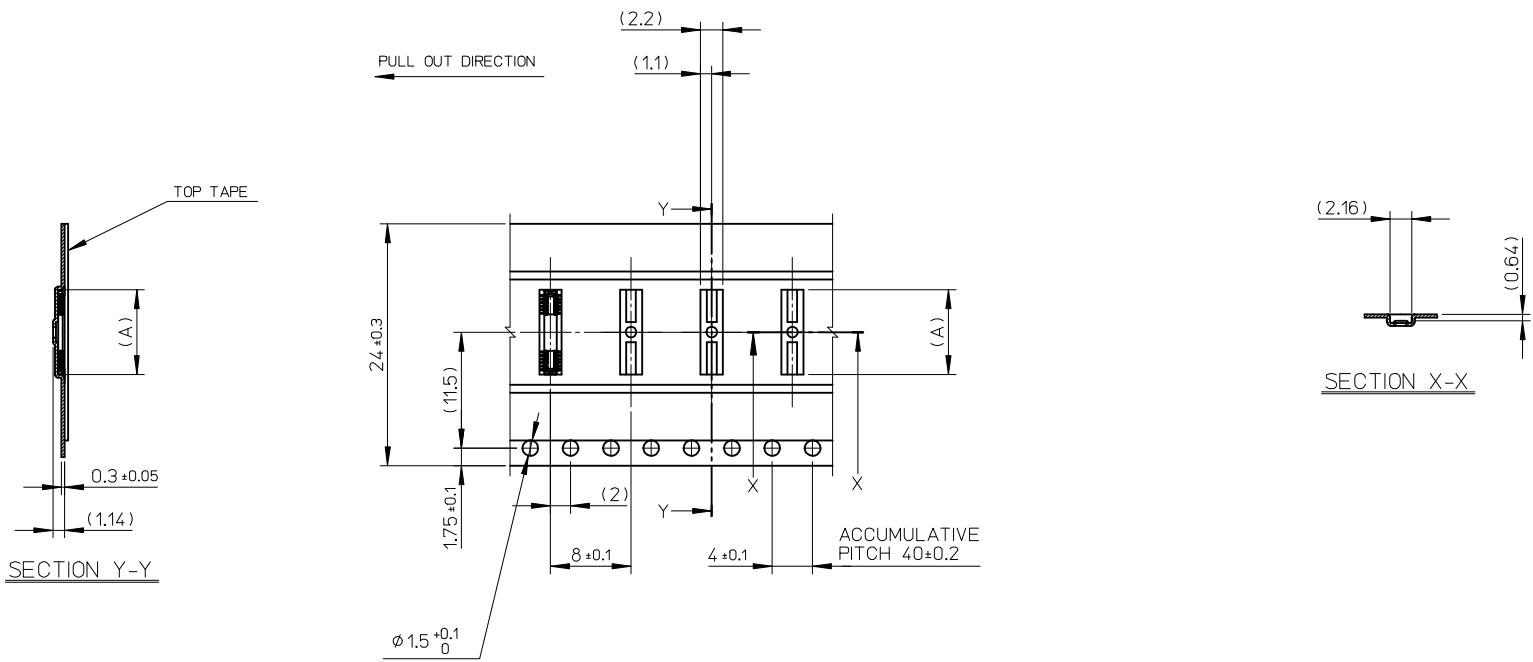
4. TOP TAPE PEEL FORCE IS DEFINED BY IEC60286-3.
5. MATERIAL
CARRIER TAPE : POLYSTYRENE
TOP TAPE : PET , OTHER
REEL : POLYSTYRENE (PS) <RECYCLE MATERIAL CONTAINED>
6. ELV AND RoHS COMPLIANT

REVISED EC NO: J2015-0705 DRWN:MYOSHIDA 2014/11/26 CHKD:RTAKEUCHI 2014/11/26 APPR:KMORIKAWA 2014/12/03	GENERAL TOLERANCES (UNLESS SPECIFIED)		DIMENSION STYLE	SCALE	MODEL NO.	504622-**70
			MM ONLY	1:5	DESIGN UNITS	METRIC
	10 UNDER ±0.2 10 OVER 30 UNDER ±0.25 30 OVER ±0.3 ANGULAR ±1 ° DRAFT WHERE APPLICABLE MUST REMAIN WITHIN DIMENSIONS		DRAWN BY HON001 DATE 2014/02/24 CHECKED BY RTAKEUCHI DATE 2014/02/24 APPROVED BY KMORIKAWA DATE 2014/08/11 MATERIAL NO.	TITLE	0.35 BB CONN. H=0.6 SSB6 PLUG ASSY CHECKER TYPE EMBSTP PKG	
			SEE CHART	DOCUMENT NO.	SD-504622-004	
		SIZE A3	THIS DRAWING CONTAINS INFORMATION THAT IS PROPRIETARY TO MOLEX INCORPORATED AND SHOULD NOT BE USED WITHOUT WRITTEN PERMISSION			



16	21.4	17.4	6.88	504622-3070	o	---	30	
			5.63	504622-2470	o	---	24	
			4.93	504622-2070	o	---	20	
			4.58	504622-1870	---	---	18	
			4.23	504622-1670	---	---	16	
			3.53	504622-1270	---	---	12	
			3.18	504622-1070	o	---	10	
2.48	504622-0670	---	---	6				
キャリアテープ幅 CARRIER TAPE WIDTH		C	B	(A)	EMBOSSED TAPE PACKAGE	HIGH VOL. TOOL	LOW VOL. TOOL	CIRCUIT
ORDER NO.		SAMPLE PREPARATION o : TOOLED Δ : WORK IN PROCESS --- : TOOLING TO BE CONFIRMED						

REVISED EC NO: J2015-0705 DRWN: MYOSHIDA 2014/11/26 CHKD: RTAKEUCHI 2014/11/26 APPR: KMORIKAWA 2014/12/03	DESCRIPTION GENERAL TOLERANCES (UNLESS SPECIFIED) DIMENSION STYLE SCALE DESIGN UNITS THIRD ANGLE PROJECTION	10 UNDER ± 0.2 10 OVER 30 UNDER ± 0.25 30 OVER ± 0.3 ANGULAR ± 1 ° DRAFT WHERE APPLICABLE MUST REMAIN WITHIN DIMENSIONS	MM ONLY 2:1 METRIC ☉ □	TITLE 0.35 BB CONN. H=0.6 SSB6 PLUG ASSY CHECKER TYPE EMBSTP PKG molex DOCUMENT NO. SD-504622-004 SHEET NO. 2 OF 3
		DRAWN BY HON001 DATE 2014/02/24 CHECKED BY RTAKEUCHI DATE 2014/02/24 APPROVED BY KMORIKAWA DATE 2014/08/11 MATERIAL NO. SEE CHART	THIS DRAWING CONTAINS INFORMATION THAT IS PROPRIETARY TO MOLEX INCORPORATED AND SHOULD NOT BE USED WITHOUT WRITTEN PERMISSION	
		DIMENSION STYLE SCALE DESIGN UNITS THIRD ANGLE PROJECTION	TITLE 0.35 BB CONN. H=0.6 SSB6 PLUG ASSY CHECKER TYPE EMBSTP PKG molex DOCUMENT NO. SD-504622-004 SHEET NO. 2 OF 3	
		DIMENSION STYLE SCALE DESIGN UNITS THIRD ANGLE PROJECTION	TITLE 0.35 BB CONN. H=0.6 SSB6 PLUG ASSY CHECKER TYPE EMBSTP PKG molex DOCUMENT NO. SD-504622-004 SHEET NO. 2 OF 3	



24	29.4	25.4	13.68	504622-7070	o	---	70		
			12.63	504622-6470	o	---	64		
			11.93	504622-6070	---	---	60		
			10.88	504622-5470	---	---	54		
			10.18	504622-5070	o	---	50		
			9.83	504622-4870	---	---	48		
			8.78	504622-4270	---	---	42		
			8.43	504622-4070	o	---	40		
7.38	504622-3470	o	---	34					
キャリアテープ幅 CARRIER TAPE WIDTH			C	B	(A)	EMBOSSED TAPE PACKAGE	HIGH VOL. TOOL	LOW VOL. TOOL	CIRCUIT
			ORDER NO.		SAMPLE PREPARATION o : TOOLED Δ : WORK IN PROCESS --- : TOOLING TO BE CONFIRMED				

REVISED EC NO: J2015-0705 DRWN: MYOSHIDA 2014/11/26 CHKD: RTAKEUCHI 2014/11/26 APPR: KMORIKAWA 2014/12/03	GENERAL TOLERANCES (UNLESS SPECIFIED)		DIMENSION STYLE MM ONLY		SCALE 2:1	DESIGN UNITS METRIC	THIRD ANGLE PROJECTION
	10 UNDER	±0.2	DRAWN BY HON001	DATE 2014/02/24	TITLE 0.35 BB CONN. H=0.6 SSB6 PLUG ASSY CHECKER TYPE EMBSTP PKG		
	10 OVER 30 UNDER	±0.25	CHECKED BY RTAKEUCHI	DATE 2014/02/24			
	30 OVER	±0.3	APPROVED BY KMORIKAWA	DATE 2014/08/11			
ANGULAR ±1°		DRAFT WHERE APPLICABLE MUST REMAIN WITHIN DIMENSIONS		MATERIAL NO. SEE CHART	DOCUMENT NO. SD-504622-004	SHEET NO. 3 OF 3	
THIS DRAWING CONTAINS INFORMATION THAT IS PROPRIETARY TO MOLEX INCORPORATED AND SHOULD NOT BE USED WITHOUT WRITTEN PERMISSION							