



Cross Plate

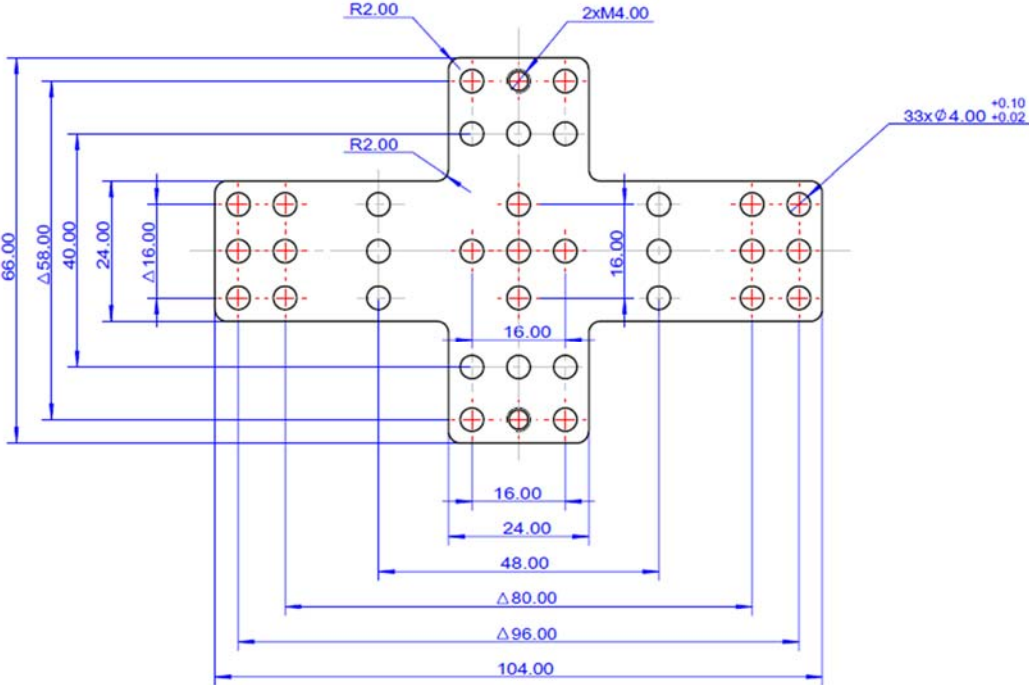
SKU: 61414 Weight: 24.00 Gram

Cross Plate

Cross Plate is one of Makeblock parts for DIY. It is made of 6061 aluminum alloy with Aluminum extrusion technology. Compatible with all Makeblock parts, it can be used to build various structures. And it also helps to fix the battery case of mBot Ranger – see the building example below.

Specifications	
SKU	61414
Product Dimensions	104x66x3mm (4.10x2.60x0.12 inch)
Net Weight	24g (0.85oz)
Color	Blue

DEMO



Size Charts

