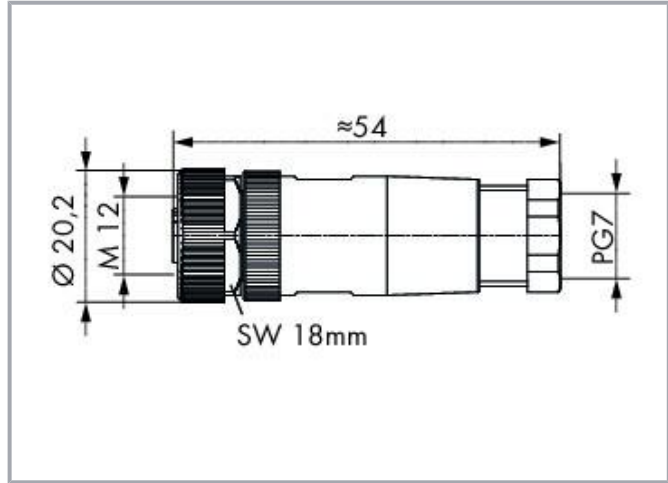


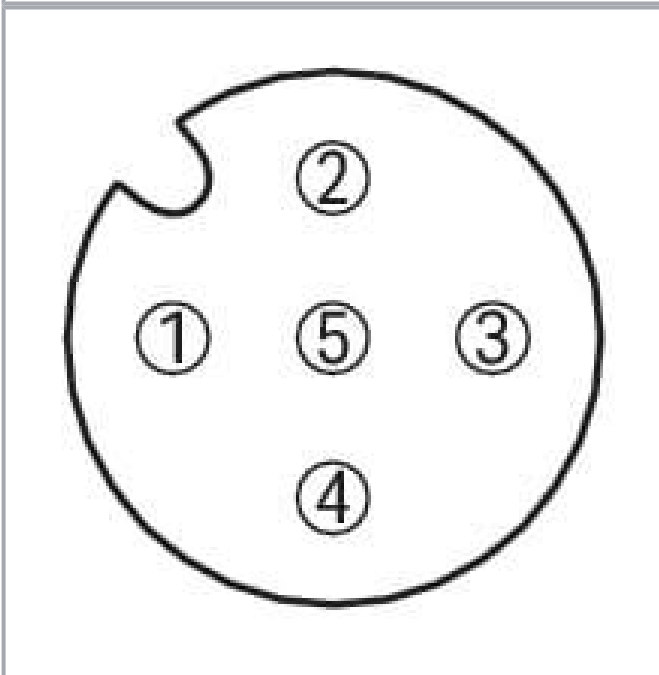
Data sheet | Item number: 756-9212/050-000

Fitted pluggable connector; 5-pole; M12 socket, straight; Spring

[www.wago.com/756-9212/050-000](http://www.wago.com/756-9212/050-000)



 Picture differs from the item.



Subject to changes. Please also observe the further product documentation!

WAGO GmbH & Co. KG  
Hansastr. 27  
32423 Minden  
Phone: +49571 887-0 | Fax: +49571 887-169  
Email: [info.de@wago.com](mailto:info.de@wago.com) | Web: [www.wago.com](http://www.wago.com)

Do you have any questions about our products?  
We are always happy to take your call at +49 (571) 887-44222.



## Data

### Technical data

Connection type	M12 socket
Pole number	5
Cable connection direction to mating direction	0°
Connector interface coding (cable/adapter) 1 1	A-coded
Contact resistance	≤3 mΩ

### Connection data

Connection type 1	Spring clamp technology
Solid conductor	0.14 ... 0.5 mm <sup>2</sup> / 20 AWG

### Mechanical Data

Connectable sheathed cable diameter	4 ... 6 mm
Housing material	PA
Contact material	CuZn
Contact plating	Gold
Dichtungsmaterial	Seal: Neoprene
Mating cycles (max.)	100
Weight	25.2 g

### Environmental requirements

Ambient temperature (operation)	-25 ... +85 °C
Protection type	IP67
Note on protection type	in locked position
Pollution degree	3

### Commercial data

eCl@ss 10.0	27-24-26-92
eCl@ss 9.0	27-24-26-92
ETIM 8.0	EC002584
ETIM 7.0	EC002584
PU (SPU)	5 (1) pcs
Packaging type	box
Country of origin	DE
GTIN	4045454686123

Subject to changes. Please also observe the further product documentation!



Customs tariff number	85366990990
-----------------------	-------------

## Environmental Product Compliance

CAS-No.	96-45-7
REACH Candidate List Substance	Ethylene thiourea
RoHS Compliance Status	Compliant, No Exemption
SCIP notification number (Austria)	7824e962-67f6-4727-a8e0-29fd3ac7308b
SCIP notification number (Belgium)	17ff1dfb-07a0-4212-9354-985bc836eed4
SCIP notification number (Bulgaria)	21eb4853-b43f-4a39-89c9-1eea67a75e5e
SCIP notification number (Czech Republic)	de7f8fb2-805b-47e2-b826-b288709d5797
SCIP notification number (Denmark)	e2825e45-2e1f-4ebc-9585-7d47ea6dbd12
SCIP notification number (Finland)	e0a5e28b-6111-4676-81a1-53bcf710cbb8
SCIP notification number (France)	204f4bdc-b684-4f02-89a3-fdb8702729df
SCIP notification number (Germany)	2820f96e-48c0-451b-94c2-0509f2ac83d5
SCIP notification number (Hungary)	cb4872da-de8e-4455-ba54-728ec210b694
SCIP notification number (Italy)	72adc6da-1491-4595-b24a-71a0936d772a
SCIP notification number (Netherlands)	8a370628-b725-4c94-8a55-ee4cb3aee2ac
SCIP notification number (Poland)	2583e12f-a5ea-4f1a-b93f-87e6b15f9817
SCIP notification number (Romania)	0b436cc2-8814-4686-a618-0be412d87e79
SCIP notification number (Sweden)	dad0ab53-4213-405b-9098-080d26c15af6

## Downloads

### Documentation

#### Bid Text

756-9212/050-000	2019 Feb 19	xml	Download
X81 - Datei		2.7 kB	

756-9212/050-000	2017 Sep 20	doc	Download
doc - Datei		24.6 kB	

#### System Description

IP67 Cables and Pluggable Connectors	pdf	Download
	161.6 kB	

## CAD/CAE-Data

### CAE data

Subject to changes. Please also observe the further product documentation!

WAGO GmbH & Co. KG  
Hansastr. 27  
32423 Minden  
Phone: +49571 887-0 | Fax: +49571 887-169  
Email: [info.de@wago.com](mailto:info.de@wago.com) | Web: [www.wago.com](http://www.wago.com)

Do you have any questions about our products?  
We are always happy to take your call at +49 (571) 887-44222.



---

WSCAD Universe 756-9212/050-000

[URL](#)

[Download](#)

---

WSCAD Universe 756-9212/050-000

[URL](#)

[Download](#)

---

## Environmental Product Compliance

### Compliance Search

Environmental Product Compliance 756-9212/050-000

[URL](#)

[Download](#)

Fitted pluggable connector; 5-pole; M12 socket, straight; Spring

---

## Installation Notes

Subject to changes. Please also observe the further product documentation!

---

WAGO GmbH & Co. KG

Hansastr. 27

32423 Minden

Phone: +49571 887-0 | Fax: +49571 887-169

Email: [info.de@wago.com](mailto:info.de@wago.com) | Web: [www.wago.com](http://www.wago.com)

Do you have any questions about our products?

We are always happy to take your call at +49 (571) 887-44222.