



Since 1959

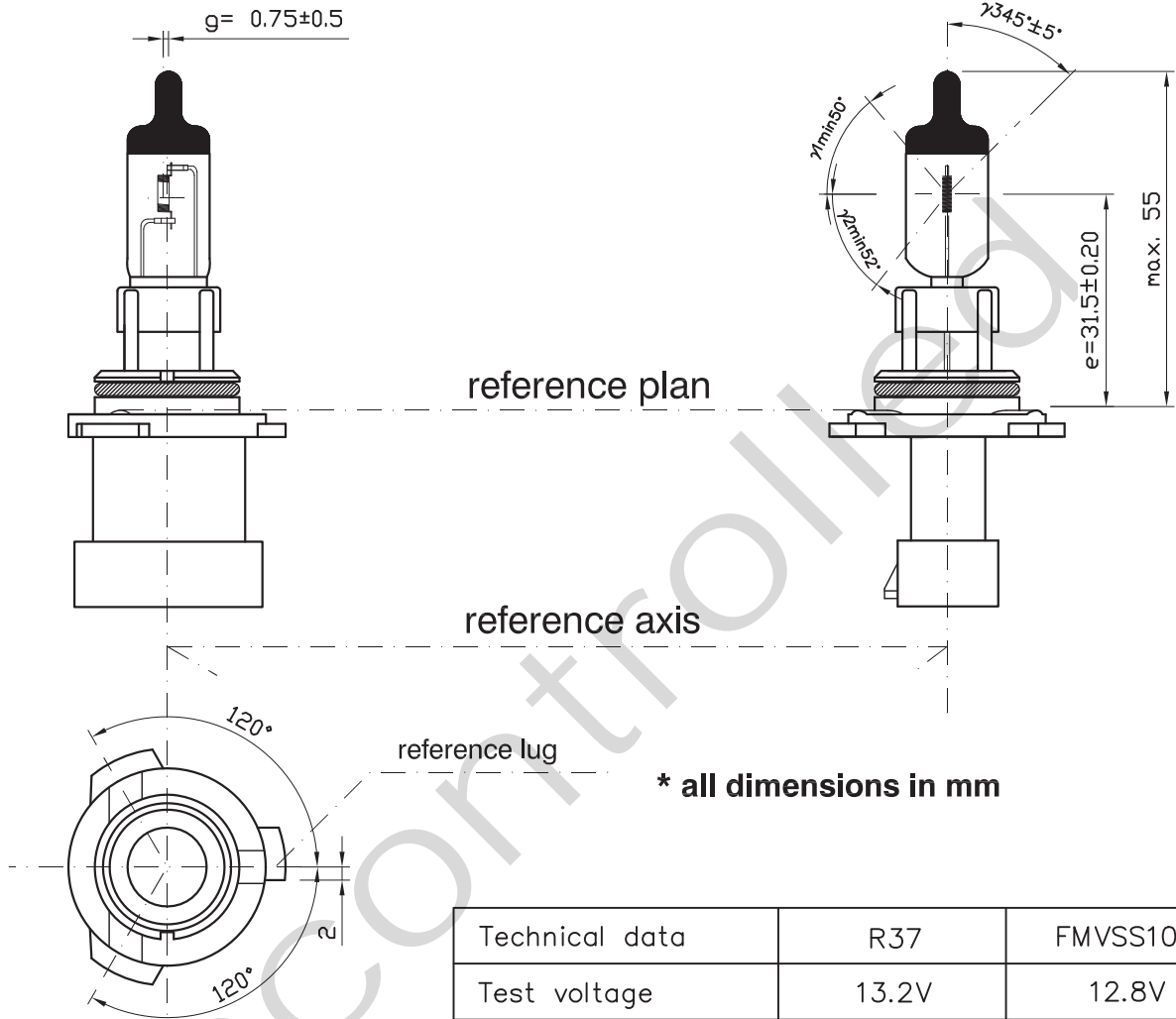
Product Information Sheet

HB4A (9006XS) 12V 51W

9006XS

2022. 08. 23 NEW

2018. 04. 09 OLD



Halogen bulb

HB4A 12V 55W

Cap: <sup>1)</sup> P22d

Type: 9006XS

ECE R37 (E1) 2A18

FMVSS108 DOT

Bulb mat.: Hardglass

Technical data	R37	FMVSS108
Test voltage	13.2V	12.8V
Power	62W max.	60W max.
Luminous flux	1095lm $\pm 15\%$	1000lm $\pm 15\%$
Lumen maintenance	85 % min (after 1650hr)	85 % min (after 750hr)

Rated life:	<sup>4) 5)</sup> at 13.2V	<sup>2) 3)</sup> at 14.0V
	Tc: 2200 hr B50: 1950 hr B3: 1000 hr	B70: 1100 hr B50: 1000 hr B10: 650 hr

Maximum operating temperature:	1: bulb 650°C max 2: pinch 400°C max
--------------------------------	---

Vibration resistance acc. to IEC 60810 Annex B; table B.2	> 20h
---	-------

1) According to IEC 60061-1 sheet 7004-32-2  
 2) According to SAE J 1383 Annex 5.20  
 3) Switching cycle according to SAE J 1383 5.20.2  
 4) According to IEC 60810 Annex A  
 5) Switching cycle according to IEC 60810 Annex A;4.1.1  
 6) Switching cycle according to IEC 60810 Annex A;4.1.2  
 7) Switching cycle according to IEC 60810 Annex A;4.2