



GSM900-UMTS Band Duplexer/Combiner

ANATECH ELECTRONICS INC
RF & Microwave Filters & Products

Part Number: AD892-1940C116



Electrical specifications

- 900 Path Freq Range:** 824-960 MHz
- UMTS Path Freq Range:** 1710-2170 MHz
- Insertion Loss (Ambient):** <0.25 dB
- Insertion Loss (Over Temp):** <0.3 dB
- Return Loss:** 18 dB Min
- Isolation:** 50 dB Min
- 900 Path RF Power:** +54 dBm (+61.1 dBm Peak)
- UMTS Path RF Power:** +46 dBm (+63.3 dBm Peak)

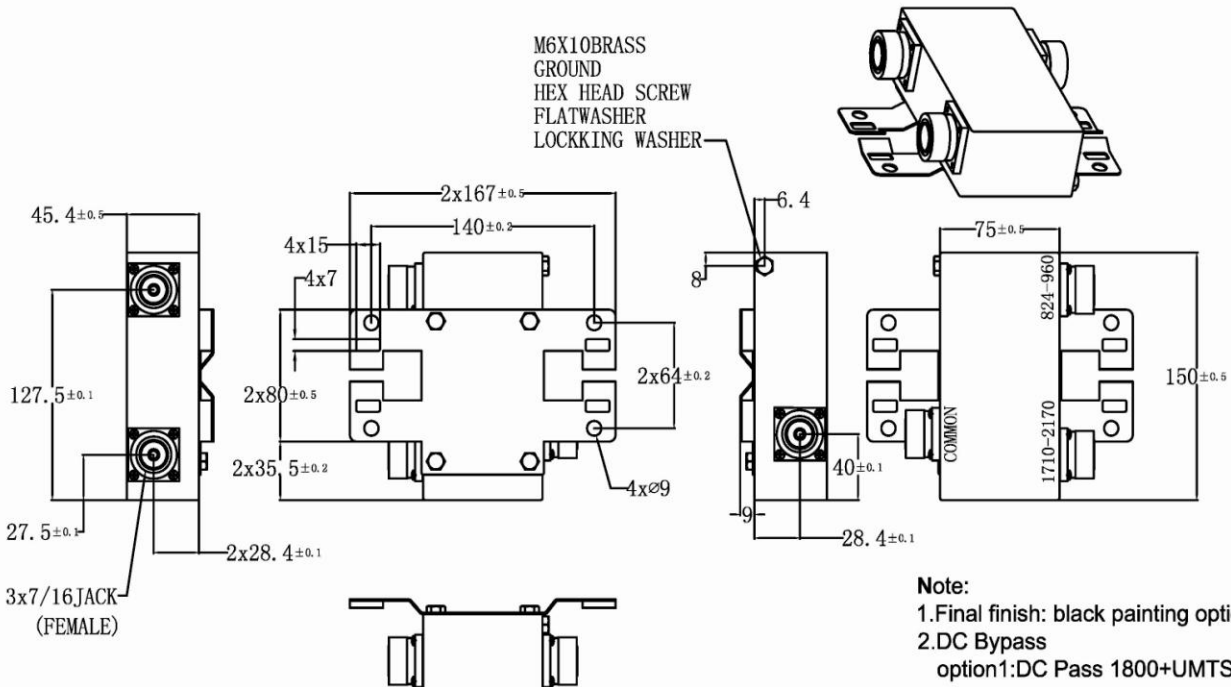
Mechanical

- Connector Type:** 7/16 Female
- Dimensions:** 150 x 75 x 45 mm (5.91 x 2.95 x 1.77 in)

Environmental

- Operating Temperature:** -40 to +65° C
- Relative Humidity:** 5 to 100%
- Enclosure Protection:** IP68

Outline Drawing:



Note:

- Final finish: black painting optional
- DC Bypass
 - option1: DC Pass 1800+UMTS path only, DC Block 900 path
 - option2: DC Pass 900 path only, DC Block 1800+UMTS path
 - option3: DC Block both paths
 - option4: DC Pass both paths