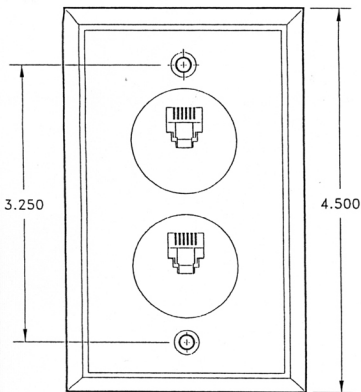
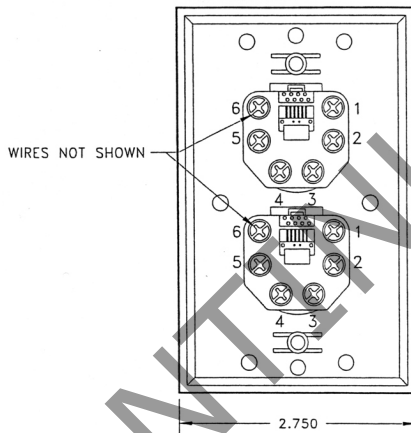


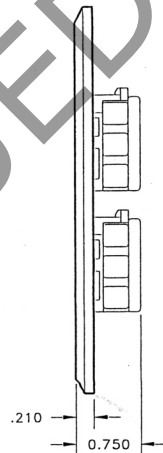
## FRONT VIEW



## REAR VIEW



## SIDE VIEW



## COLOR CODE

POS.	6P6C
1	WHITE
2	BLACK
3	RED
4	GREEN
5	YELLOW
6	BLUE

## MATERIAL:

- (HOUSING) - ABS MOLDING COMPOUND  
(CONTACT) - BRASS, GOLD OVER NICKEL
- EACH PART IS INDIVIDUALLY PACKAGED IN A PLASTIC BAG.
  - ALL DIMENSIONS ARE APPROXIMATE AND SHOULD BE USED FOR REFERENCE ONLY.
  - TWO 6-32 X .875 LONG SCREWS FOR MOUNTING SHIPPED LOOSE. NOT SHOWN ON DRAWING.

IVORY	
WHITE	
COLOR	PART NO



CUI STACK

DESCRIPTION: DUAL FLUSH MOUNT WALLPLATE, RJ12

COLOR: ASH

MATERIAL:

DWG NO. D.S. 1208

CHK:

APRVD:

REV.: A

DWG BY: A. MEDINA

DATE: 03-08-2000

DO NOT SCALE

PART NO.:

AMK-0060