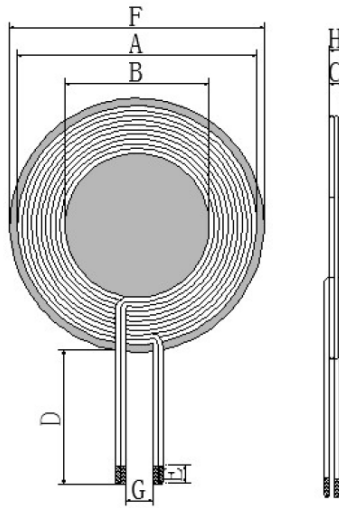


ECN/PCN No.: M1178

For Manufacturer			
Product Description: Rx Wireless Charging Coil Assembly	Abracon Part Number / Part Series: AWCCA-18R18H10-C01-B	<input type="checkbox"/> Documentation only <input checked="" type="checkbox"/> ECN <input type="checkbox"/> EOL	<input type="checkbox"/> Series <input checked="" type="checkbox"/> Part Number(s)
Affected Revision: A	New Revision: B	Application: <input type="checkbox"/> Safety <input checked="" type="checkbox"/> Non-Safety	

Prior to Change:
Header: Ø18.3 x 1.5 mm

6.0 Out Line Dimensions (unit mm)

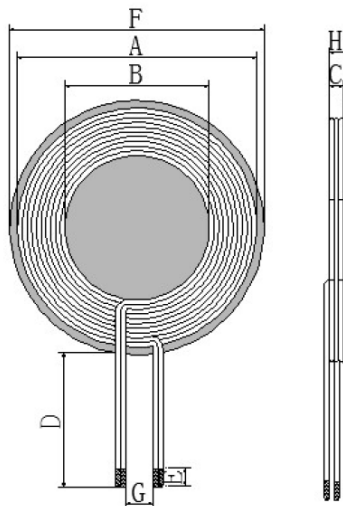


Item	A	B	C	D	E	F	G	H
Spec	16.5±1.0	11.0±0.5	1.1±0.2	15.0±2.0	5.0±1.0	18.3±0.5	2.0 ref.	1.5 max.

After Change:

Header: Ø18.3 x 1.8 mm

6.0 Out Line Dimensions (unit mm)



Item	A	B	C	D	E	F	G	H
Spec	16.5±1.0	11.0±0.5	1.1±0.2	15.0±2.0	2 - 4	18.3±0.5	3.0 ref.	1.8 max.

Cause/Reason for Change:

Mechanical dimension changed slightly.

Change Plan

Effective Date:

7/10/2020

Additional Remarks:

Change Declaration:

The changes described here have no impact on the products form, fit or function.

Issued Date:

7/10/2020

Issued By:

Gerald Capwell

Issued Department:

Engineering

Approval:

Syed Raza
Engineering VP

Approval:

Reuben Quintanilla
Quality Director

Approval:

Ying Huang
Purchasing Director

For Abracon EOL only

Last Time Buy (if applicable):

Alternate Part Number / Part Series:

Additional Approval:

Additional Approval:

Additional Approval:

Customer Approval (If Applicable)

Qualification Status:

Approved Not accepted

Note: It is considered approved if there is no feedback from the customer 1 month after ECN/PCN is released.

Customer Part Number:

Customer Project:

Company Name:

Company Representative:

Representative Signature:

Customer Remarks: