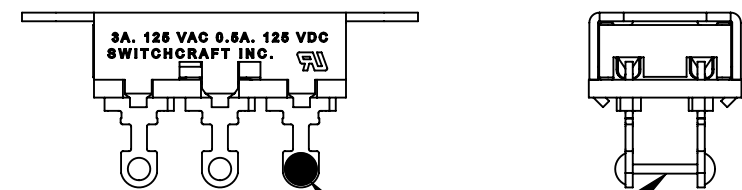
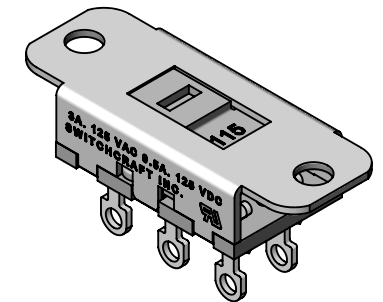
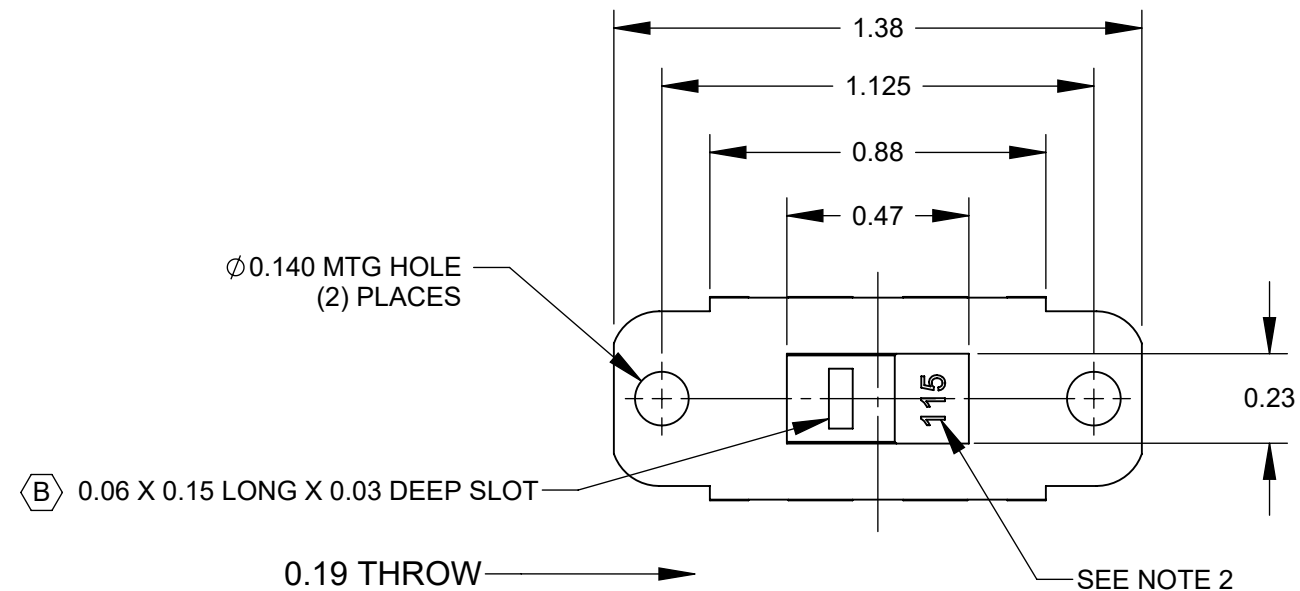


SCHEMATIC  
DOUBLE POLE DOUBLE THROW

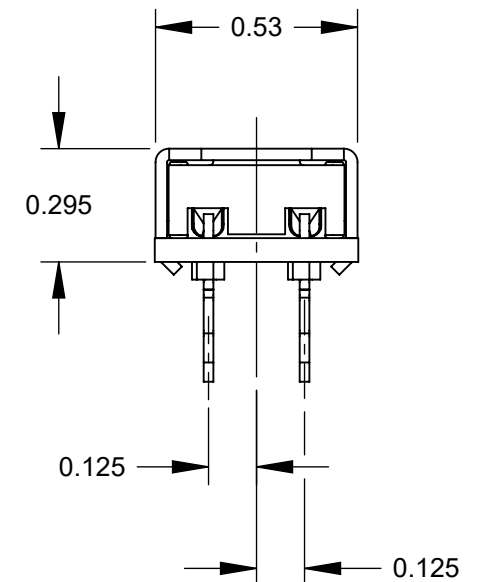
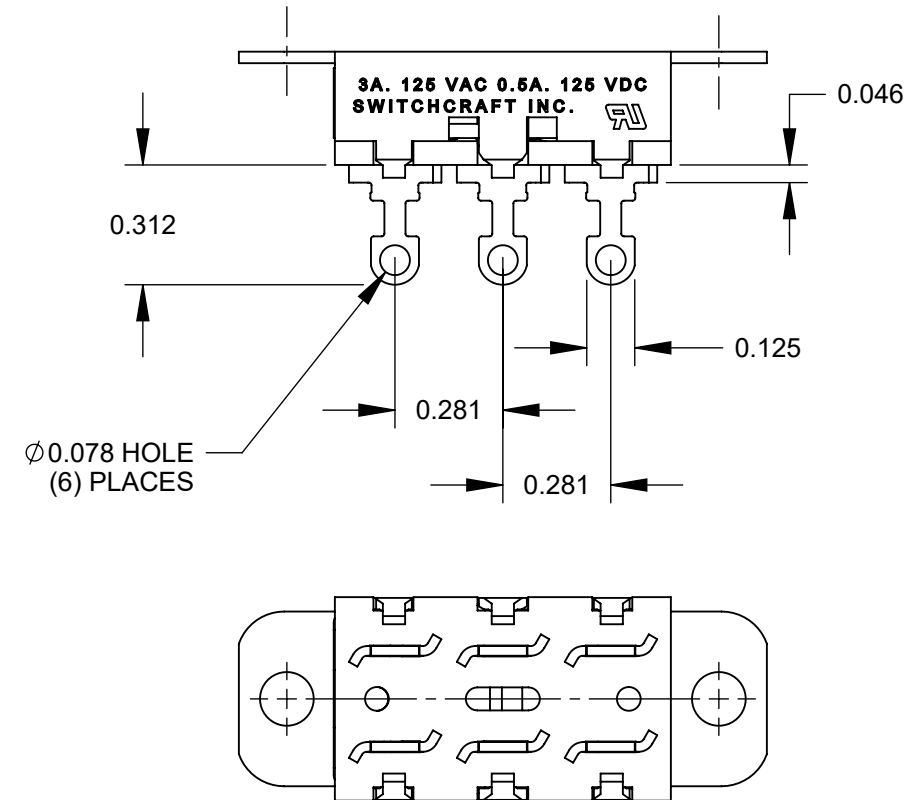
**46206LFRX**



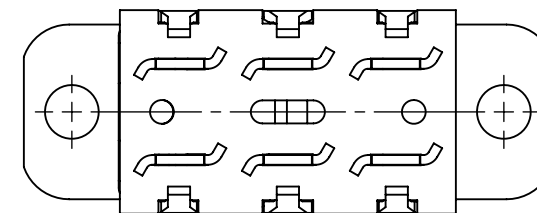
JUMPER

SCHEMATIC  
DOUBLE POLE DOUBLE THROW  
WITH JUMPER

**46256LFRX**



**46206LFRX  
SHOWN**



**CUSTOMER DRAWING**

NOTES:

1. ALL DIMENSIONS REFERENCE UNLESS OTHERWISE SPECIFIED.
2. NUMBERS HOT STAMPED IN WHITE. 230 VISIBLE IN OTHER DIRECTION
3. MATERIALS:  
HOUSING - STEEL, ZINC PLATED  
BUTTON - THERMOPLASTIC, BLACK  
TERMINALS & CONTACT SLIDER - BRASS, SILVER PLATED  
TERMINAL BOARD - PHENOLIC
4. SWITCH RATING:  
3 AMP, 125 V.A.C., 0.5 AMP, 125 V.D.C.
5. THIS PRODUCT IS RoHS COMPLIANT.

					UNLESS OTHERWISE SPECIFIED					THIS DRAWING DESCRIBES A DESIGN CONSIDERED PROPRIETARY IN NATURE, DEVELOPED AND MANUFACTURED BY SWITCHCRAFT INC. AND IS RELEASED ON A CONFIDENTIAL BASIS FOR IDENTIFICATION PURPOSES ONLY.						
					1. ALL DIMENSIONS IN INCHES - TWO PLACE DECIMALS ±0.02 - THREE PLACE DECIMALS ±0.005					SIZE	WIDTH	MULT	LBS/M	TEMPER		
					DO NOT SCALE DRAWING					FINISH		MATERIAL				
										SPEC No.		SPEC No.				
										FIRST USED ON		SCALE 2:1				
										DATE DRAWN	BY	CHKD	APVD	Switchcraft®		
										2/19/09	RS	RS	TJK			
										NAME 115 - 230 POWER SELECTION SLIDE SWITCH, RoHS		PART No. 46200LFRX SERIES		REV B		
REVISIONS																
B	28525	8/2/22	TJK	TJK												
A	26008	8/5/06	RS	TJK												

SolidWorks CAD File **B**