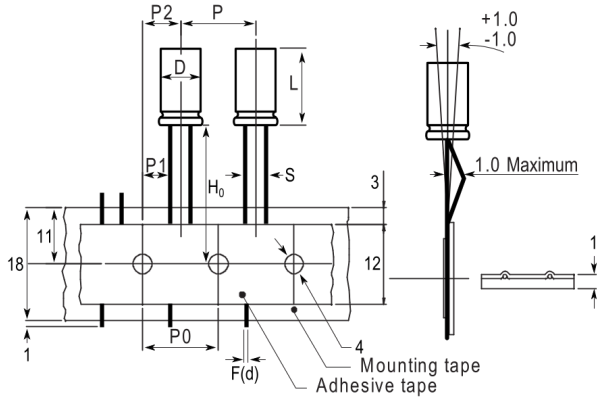


Straight Leads Diameter > 8
Lead and packaging code EA and KA



Note: '(j)' correspond to the letters used in the product bulletin

Click [here](#) for the 3D model.

| Dimensions | |
|-------------|-----------------|
| D | 12.5mm +/-0.5mm |
| L | 40mm +2.0mm |
| S | 5mm +/-0.5mm |
| LL Negative | 15mm MIN |
| LL Positive | 20mm MIN |
| F | 0.6mm NOM |

| Packaging Specifications | |
|--------------------------|------|
| Packaging | Ammo |
| Packaging Quantity | 500 |

| General Information | |
|---------------------|------------------------------------|
| Series | ESL |
| Dielectric | Aluminum Electrolytic |
| Description | Single Ended Aluminum Electrolytic |
| RoHS | Yes |
| Lead | Wire Leads |
| AEC-Q200 | No |

| Specifications | |
|-------------------------|--------------------------|
| Capacitance | 820 uF |
| Capacitance Tolerance | 20% |
| Voltage DC | 63 VDC, 79 VDC (Surge) |
| Temperature Range | -40/+105°C |
| Rated Temperature | 105°C |
| Life | 10000 Hrs |
| Dissipation Factor | 9% 120Hz 20C |
| Resistance | 0.03 Ohms (100kHz 20C) |
| Ripple Current | 2430 mAmps (100kHz 105C) |
| Leakage Current | 516.6 uA (2min 20°C) |
| Impedance Ratio at -40C | 4 |