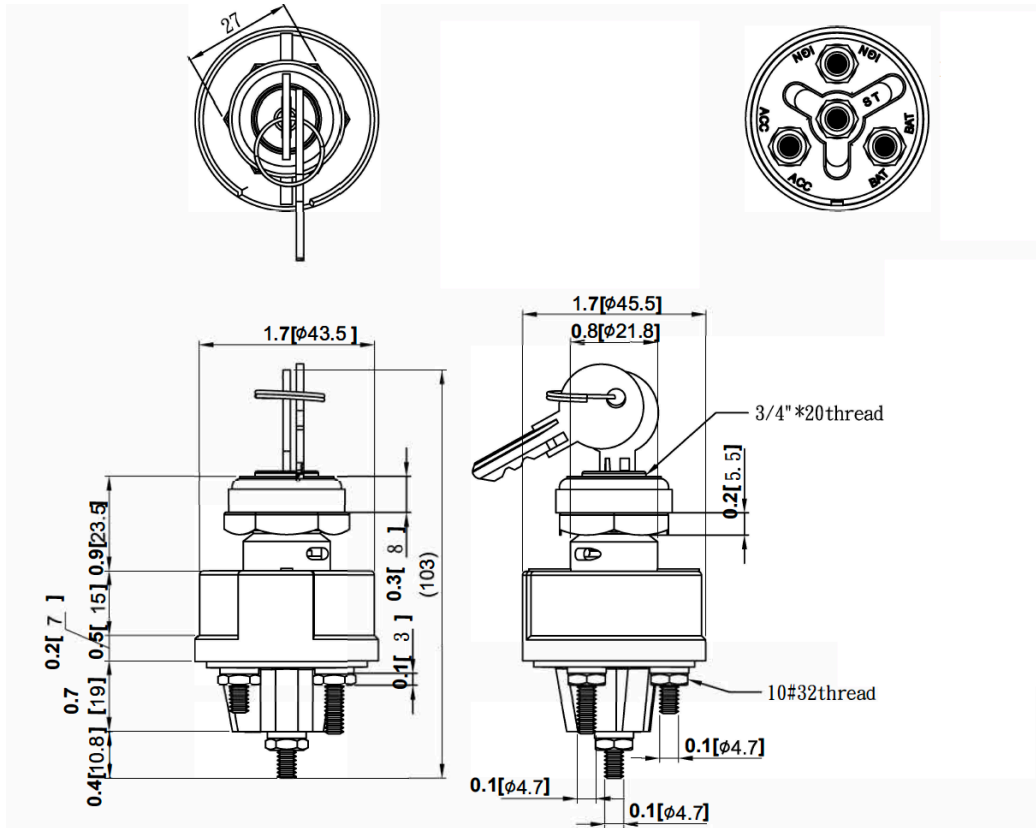
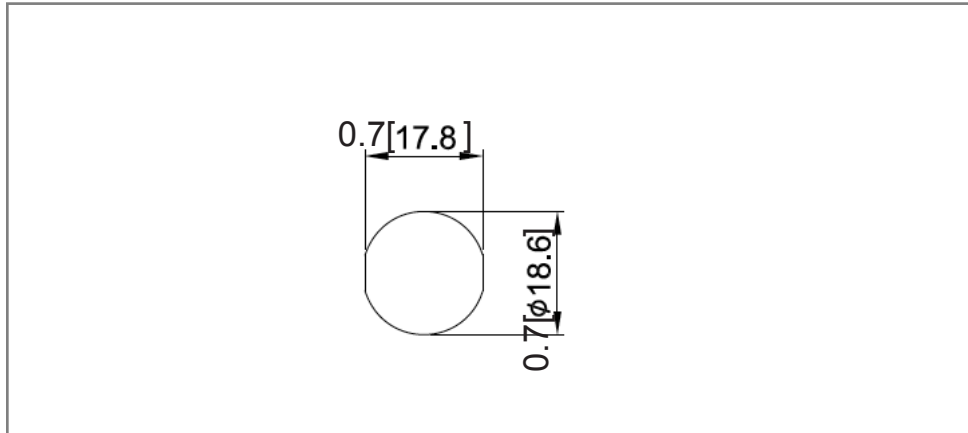


## Mechanical Dimensions: Inches [mm]

Tolerances  $\pm 0.012$  [0.5] Unless Otherwise Specified

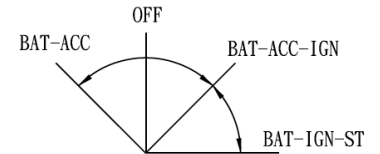


## Mounting Hole



## Circuit Diagram

### 4 Positions



## Electrical Specifications

Continuous Rating	30A 12VDC
IGN Terminal Rating	8A 14VDC
ACC Terminal	30A 14VDC
Start	75A Make, 20A Break 14VDC

## Material Specifications

Zinc diecast construction
Copper terminals
2 Brass keys

**Rev      Date of issue      Revision Notes**

**Designed      Approved**

A	11-13-2019	Initial Drawing	RC	OF
---	------------	-----------------	----	----