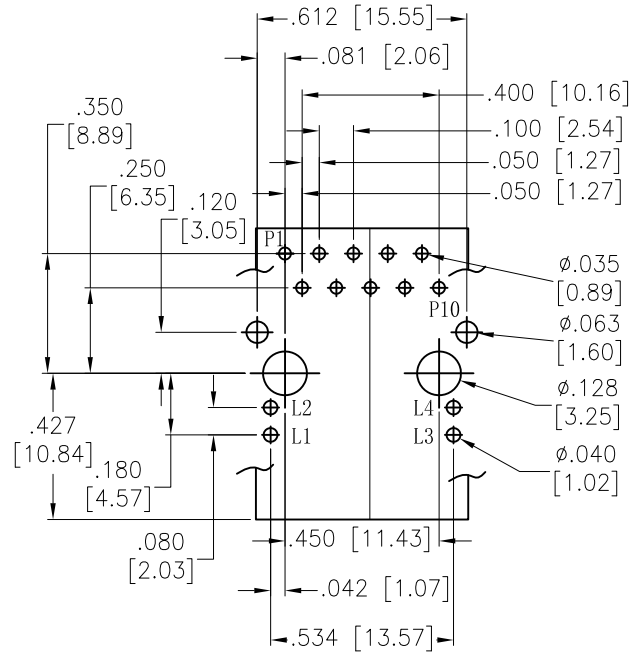
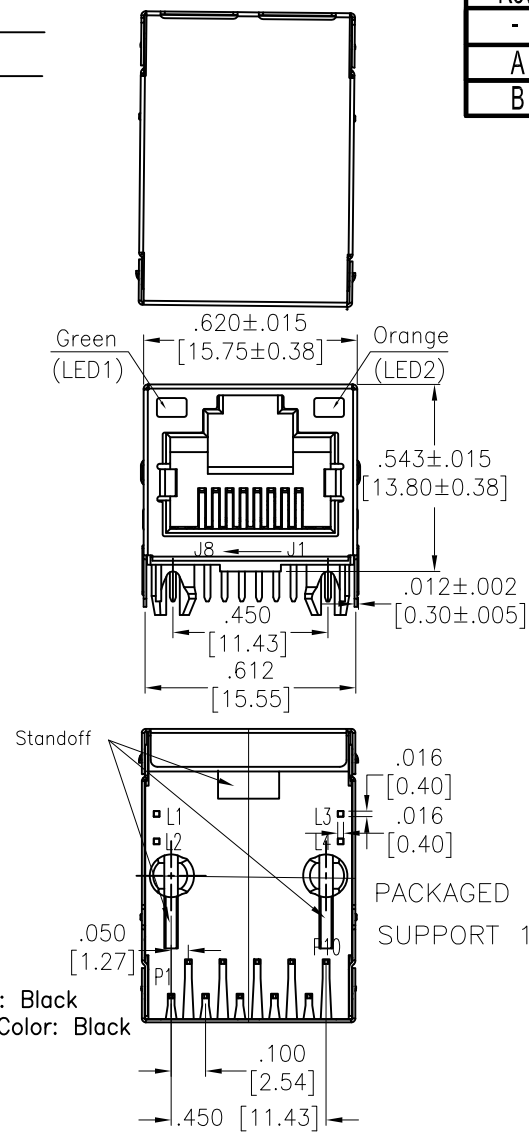


APPROVED: _____
 DATE: _____ TITLE: _____

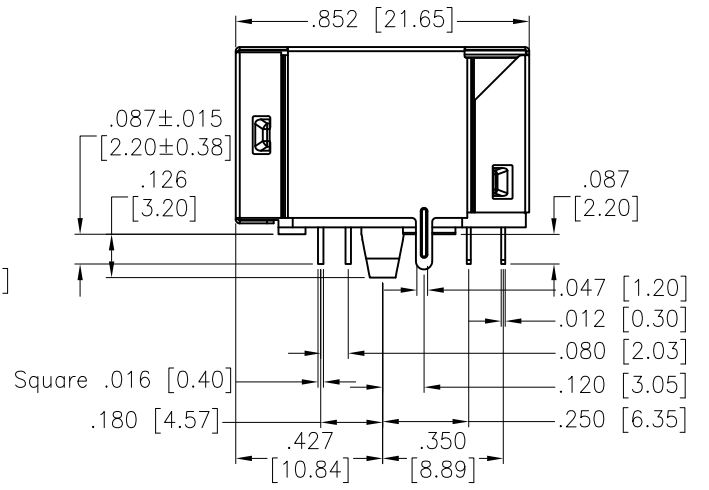
Rev	AWO #	Description	Date	Appr
-		RELEASED	6/28/17	
A		UPDATE DRAWING	6/24/21	JJ/RC
B		UPDATE SPEC.	12/02/21	WX/AC1




RECOMMENDED PCB LAYOUT



PACKAGED ON TAPE & REEL
 SUPPORT 10M/100M/1000M



SPECIFICATIONS:
Material:
 Insulator: Hi-Temp Thermoplastic, rated UL 94V-0, Color: Black
 Module Case: Hi-Temp Thermoplastic, rated UL 94V-0, Color: Black
 RJ Contacts: Phosphor Bronze
 Solder Tail: Brass,
 Shield: Stainless, Pre-Soldering 
 Plating:
 Round contact
 Gold over Nickel underplate overall
 Flat contact
 Gold over Nickel underplate on contact area,
 Matte Tin over Nickel underplate on solder tails
Electrical:
 Insulation resistance: 500 Mohms min
 Dielectric withstanding voltage: 1,500 VAC OR 2250 VDC for 1 minute
 Temperature Rating:
 Operating temperature: 0°C to +70°C
Environmental:
 Lead free, RoHS compliant.



PACKAGED ON TAPE & REEL

UNLESS OTHERWISE SPECIFIED ALL DIMENSIONS ARE INCHES [MM]. TOLERANCES: EXCEPT AS NOTED

INCHES		HOLES	
.X	± .10	ØX	± .10
.XX	± .020	ØXX	± .015
.XXX	± .015	ØXXX	± .010

DRAWN	HR	8/28/17
CHECKED	YC	8/28/17
APPROVED		

THIS DRAWING CONTAINS INFORMATION THAT IS PROPRIETARY AND SHOULD NOT BE USED WITHOUT PRIOR WRITTEN PERMISSION FROM ADAM TECH



909 Rahway Avenue,
 Union, NJ 07083
 Phone: 908-687-5000
 Fax: 908-687-5710

TITLE		
MODULAR JACK, 1 PORT, 8P8C W/ LED1 GREEN, LED2 ORANGE		

SIZE	PART NO.	REV.
X	MTJ-88TUX1-FSD-VL5-M236Y-HT-TR	B
REF:	S00111C	SCALE: NTS SHEET 1 OF 2

6 5 4 3 2 1

APPROVED: _____
 DATE: _____ TITLE: _____

Rev	AWO #	Description	Date	Appr
SEE SHT 1 OF 2 FOR REVISION				

Emitting Color	λ_p (nm)	V_f @ $I_f=20mA$	I_r @ $V_r=5V$
Green	565	1.7V~2.6V	10 μ A max.
Orange	605	1.7V~2.6V	10 μ A max.

ELECTRICAL CHARACTERISTICS :

- INSERTION LOSS :
 - 1~100 MHz -1.0dB MAX.
- RETURN LOSS(LOAD 100 Ω) :
 - 1~30 MHz -18dB MIN
 - 30~60 MHz -16dB MIN
 - 60~80 MHz -12dB MIN
 - 80~100 MHz -10dB MIN
- COMMON MODE REJECTION
 - 1~100 MHz -30dB MIN
- CROSS TALK
 - 1~100 MHz -30dB MIN
- INDUCTANCE @ 100KHz, 0.1V, 8mA DC BIAS
 - (P1-P2),(P3-P4),(P7-P8),(P9-P10) : 350 uH MIN
- HI-POT TEST
 - PCB SIDE TO CABLE SIDE : 1500VAC 60S OR 2250VDC 60S
- URNS RATION 100KHz
 - (P1-P2) : (J1-J2) = 1:1 \pm 5%
 - (P3-P4) : (J3-J6) = 1:1 \pm 5%
 - (P7-P8) : (J4-J5) = 1:1 \pm 5%
 - (P9-P10) : (J7-J8) = 1:1 \pm 5%

UNLESS OTHERWISE SPECIFIED ALL DIMENSIONS ARE INCHES [MM]. TOLERANCES: EXCEPT AS NOTED

INCHES		HOLES	
.X	$\pm .10$	\varnothing X	$\pm .10$
.XX	$\pm .020$	\varnothing XX	$\pm .015$
.XXX	$\pm .015$	\varnothing XXX	$\pm .010$

ADAM TECH 909 Rahway Avenue,
 Union, NJ 07083
 Phone: 908-687-5000
 Fax: 908-687-5710

DRAWN	HR	8/28/17
CHECKED	YC	8/28/17
APPROVED		

TITLE MODULAR JACK, 1 PORT, 8P8C
 W/ LED1 GREEN, LED2 ORANGE

THIS DRAWING CONTAINS INFORMATION THAT IS PROPRIETARY AND SHOULD NOT BE USED WITHOUT PRIOR WRITTEN PERMISSION FROM ADAM TECH

SIZE X	PART NO. MTJ-88TUX1-FSD-VL5-M236Y-HT-TR	REV. B
--------	---	--------

REF: S00111C	SCALE: NTS	SHEET 2 OF 2
--------------	------------	--------------

6 5 4 3 2 1