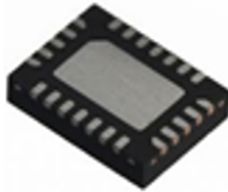


## Programmable buck converter for USB power delivery



QFN24L 3 x 4 mm

### Product status link

STPD01

### Product summary

Order code	STPD01PUR
Package	QFN24L 3 x 4

### Features

- Input voltage range 6.0 V to 26.4 V
- Internal power MOS synch rectification
- Internal compensation
- I<sup>2</sup>C bus controlled
- V<sub>out</sub> settings: 3 V to 20 V with 20 mV (min.) steps
- Slew rate control (max. 30 mV/us)
- Cable drop compensation
- I<sub>out</sub> settings: 0.1 A to 3 A with 50 mA steps
- Embedded discharge function
- Two programmable switching frequencies with optional clock dithering
- Watchdog timer set by I<sup>2</sup>C
- Configurable interrupt pin
- Soft-start
- Power-on pin
- Programmable constant current limit
- OVP, IPEAK and overtemperature protections
- Short-circuit protection
- Undervoltage lockout
- Available in QFN24L 3 x 4 package

### Applications

- AC adapters
- USB hubs
- PC monitors
- Smart TV
- USB-PD power distribution

### Description

The STPD01 is a programmable synchronous buck converter suitable to provide power supply in applications following USB power delivery specifications.

The device provides those voltages required by USB power delivery systems as stated in USB PD 3.0 spec up to 60 W output power (20 V, 3 A).

The different levels of output voltage and current limitation can be set dynamically through I<sup>2</sup>C interface.

Overvoltage, overcurrent and overtemperature protections are included in the device. A programmable watchdog improves the robustness and the safety of the complete system.

Finally, the device is available in QFN24L 3 x 4 mm<sup>2</sup>.

# 1 Application schematic

Figure 1. STPD01 typical application schematic

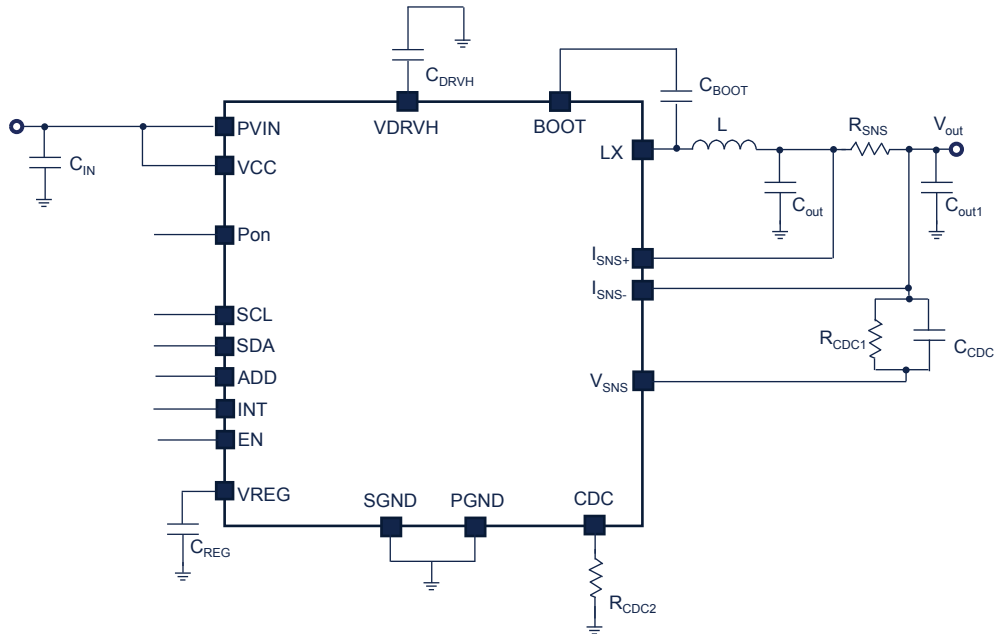
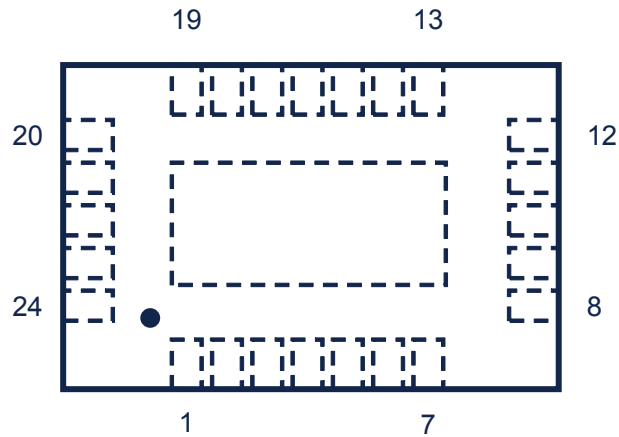


Table 1. Bill of material

Symbol	Value	Description	Note
R <sub>SNS</sub>	25 mΩ 1%		
L	10 uH	Low DCR	
C <sub>IN</sub>	47 uF	Ceramic capacitor	
C <sub>BOOT</sub>	100 nF	Ceramic capacitor	
C <sub>OUT</sub>	68-100 uF	Ceramic capacitor	Spec USB PD
C <sub>OUT1</sub>	10-22 uF	Ceramic capacitor	
R <sub>CDC1</sub>	10 kΩ		
R <sub>CDC2</sub>	Function of R <sub>CABLE</sub>		See Section 7.2 Cable drop compensation
CDRVH, CREG	1 uF	Ceramic capacitor	

## 2 Pin configuration (top through view)

**Figure 2. Pin configuration (top through view)**

**Table 2. Pin description**

Position	Name	Description
1	SDA	I <sup>2</sup> C data
2	SCL	I <sup>2</sup> C clock
3	ADD	I <sup>2</sup> C address selection (cannot be left floating)
4	INT	Interrupt pin (open drain output)
5	EN	Enable pin. Internally pulled up to VREG
6	VDRIVEH	High-side driver supply. Connect to a bypass capacitor
7	VCC	Analog supply input
8	PVIN	Power supply input
9	PVIN	Power supply input
10	PGND	Power ground
11	PGND	Power ground
12	PGND	Power ground
13	LX	Switching node
14	LX	Switching node
15	LX	Switching node
16	BOOT	Connect the bootstrap capacitor (0.1 $\mu$ F) between this pin and LX
17	Pon	Power-on (open drain output). Pulled high when Vout reaches the regulation value after startup
18	VREG	Internal LDO regulator voltage pin (connect 1 $\mu$ F capacitor between this pin and GND)
19	ISNS+	Positive connection for the current sensing resistor. Connect to GND if not used
20	ISNS-	Negative connection for the current sensing resistor. Connect to GND if not used
21	VSNS	Output voltage sensing pin. Used also for cable drop compensation see <a href="#">Section 7.2 Cable drop compensation</a>
22	CDC	Cable drop compensation programming pin
23	NC	Not connected. Leave floating

Position	Name	Description
24	SGND	Signal ground
	EP	Exposed pad for heat dissipation, to be electrically connected to Power ground

### 3 Maximum ratings

**Table 3. Absolute maximum ratings**

Symbol	Parameter	Test conditions	Value	Unit
PVIN	Input supply	DC voltage	-0.3 to +28	V
VCC	Analog input supply	DC voltage	-0.3 to PVIN + 0.3	V
I <sub>SNS+</sub> , I <sub>SNS-</sub> , V <sub>SNS</sub>	Sensing inputs	DC voltage	-0.3 to PVIN + 0.3	V
I <sub>SNS+</sub> , I <sub>SNS-</sub>	Differential voltage between sensing pins	DC voltage	0 to 3	V
	Current sourced by the pin	V <sub>ISNS+</sub> = V <sub>ISNS-</sub> < 0, (DC and AC)	10	mA
LX	Switching node	DC voltage	-0.3 to PVIN + 0.3	V
BOOT	BOOT voltage vs. GND	DC voltage	-0.3 to 34	V
	BOOT voltage vs. LX	DC voltage	-0.3 to 6	V
VDRIVEH	Internal power supply	DC voltage	-0.3 to 6	V
VREG	Internal LDO regulator voltage pin	DC voltage	-0.3 to 6	V
INT, SDA, SCL, ADD, EN, Pon	Logic pins voltage	DC voltage	-0.3 to 6	V
CDC	Analog pins voltage	DC voltage	-0.3 to 2.5	V
PGND, SGND	GND voltage	DC voltage	-0.3 to +0.3	V
ESD	Human body model	JS-001-2012	±2000	V

**Table 4. Thermal data**

Symbol	Parameter	QFN 3x4 24L	Unit
R <sub>THJA</sub> <sup>(1)</sup>	Junction to ambient board thermal resistance	31	°C/W
T <sub>J</sub>	Operating junction temperature	-40 to +125	°C
T <sub>STG</sub>	Storage temperature	-65 to +150	°C
T <sub>LEAD</sub>	Lead temperature (soldering 10 s.)	260	°C

1. Standard FR4 4 layer PCB board.

## 4 Electrical characteristics

**Table 5. Recommended operating conditions**

Symbol	Parameter	Min.	Typ.	Max.	Unit
PVIN	Input voltage	6	24	26.4	V
VCC	Analog supply voltage	Same as PVIN			
VSNS	Output voltage	3		22	V
ISNS+, ISNS-	Current sensing pins	0		22	V
Iout	Output current			3	A
EN, Pon	Analog pins			5	V
SDA, SCL, ADD, INT	Digital pins			5	V

( $T_A = 25\text{ }^\circ\text{C}$ ,  $V_{CC}=V_{IN} = 24\text{ V}$  unless otherwise specified)

**Table 6. Electrical characteristics**

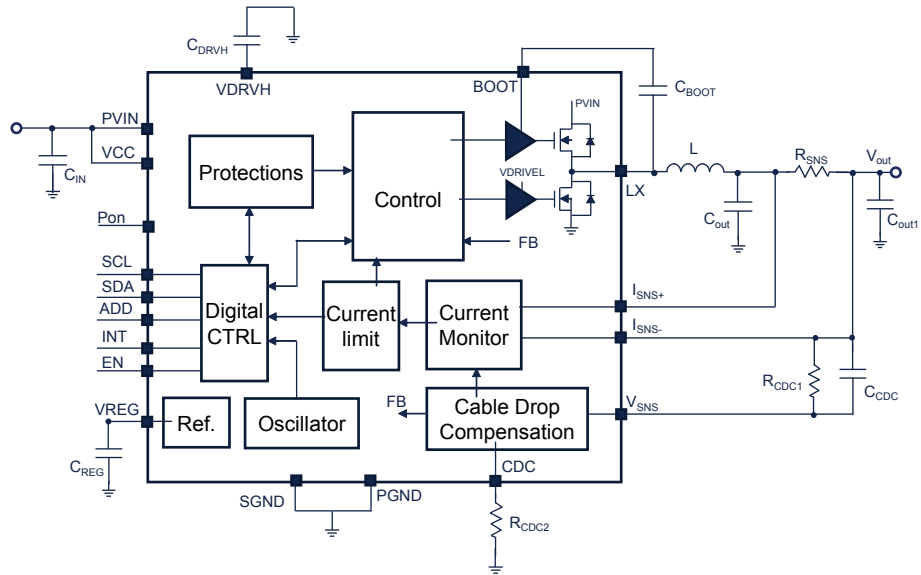
Symbol	Parameter	Test conditions	Min.	Typ.	Max.	Unit
<b>Power section</b>						
$I_{IN}$	Active supply current <sup>(1)</sup>	$F_{SW}=500\text{ kHz}$ , EN=HIGH, no inductor, $I_{SNS+}=0$ , $I_{SNS-}=0$ , $V_{SNS}=4.8\text{ V}$ , reg 0x01 = 0x1D		12	18	mA
		$F_{SW}=750\text{ kHz}$ , EN=HIGH, no inductor, $I_{SNS+}=0$ , $I_{SNS-}=0$ , $V_{SNS}=4.8\text{ V}$ , reg 0x01 = 0x1D		16	22	mA
	No switching supply current <sup>(1)</sup>	EN=HIGH, no inductor, $I_{SNS+}=0$ , $I_{SNS-}=0$ , LX=HiZ, $V_{SNS}=GND$		0.9	2	mA
	Shutdown supply current <sup>(1)</sup>	EN=GND		16	25	uA
UVLO <sub>H</sub>	Operating start voltage	Detect PV <sub>IN</sub> rising			5.5	V
UVLO <sub>L</sub>	Operating stop voltage	Detect PV <sub>IN</sub> falling	5.0			V
VREG	Internal power supply voltage	I <sub>reg</sub> = 0 mA	3.5	3.8	4.0	V
VSNS	Output voltage accuracy <sup>(2)</sup>		-2		+2	%
Vout <sub>SR</sub>	Vout transition slew rate	Absolute value			30	mV/us
$\Delta V_{out}$	Dinamic overshoot/undershoot during voltage transition <sup>(2)</sup>	See Section 7.5 Vout transition	-0.5		0.5	V
R <sub>ONHS</sub>	High-side FET on-resistance	I <sub>LX</sub> = 100 mA		50		mΩ
R <sub>ONLS</sub>	Low-side FET on-resistance	I <sub>LX</sub> = 100 mA		50		mΩ
SS <sub>SLOPE</sub>	Soft-start slope			2.5		V/ms
$F_{SW}$	Switching frequency	$T_J = 25\text{ }^\circ\text{C}$ , reg 0x05 : bit2=0		500		kHz
		$T_J = 25\text{ }^\circ\text{C}$ , reg 0x05 : bit2=1		750		
DC	Duty cycle		10		99	%
I <sub>DSC</sub>	Output discharge current			60		mA
Pon	Pon threshold (% of VOUT)	Lower		95		%
		Upper		105		%
	Pon deglitch			5		ms
I <sub>pk</sub>	Inductor current limit thresholds	Positive		5		A

Symbol	Parameter	Test conditions	Min.	Typ.	Max.	Unit
$I_{valley}$	Inductor current limit thresholds	Negative		3.5		A
OVP	Overvoltage protection threshold (VSNS/Vnom)	VSNS sensed voltage vs. nominal vout set in the reg 0x00	1.1	1.15		V/V
	OVP deglitch			5		ms
	OVP masking time during Vout transition or fault	Start-to-end transition	275	300		ms
CC <sub>th</sub>	Constant current threshold (I <sub>out</sub> /I <sub>lim</sub> )	R <sub>sense</sub> = 25 mΩ, 1% precision, 0.5<I <sub>out</sub> <3 A		1.00		A/A
SCP	Short-circuit protection	Percentage of VSNS		20		%
	Short-circuit timer			300		ms
OTP	Overtemperature protection threshold <sup>(2)</sup>			165		°C
	OTP hysteresys			30		°C
TW	Thermal warning	Reg 0x02		150		°C
	TW hysteresys			10		°C
$\eta$	Efficiency <sup>(2)</sup>	V <sub>out</sub> = 5 V, I <sub>out</sub> = 1.5 A, F <sub>sw</sub> =500 kHz		89		%
		V <sub>out</sub> = 9 V, I <sub>out</sub> = 1.5 A, F <sub>sw</sub> =500 kHz		93		
		V <sub>out</sub> = 15 V, I <sub>out</sub> = 1.5 A, F <sub>sw</sub> =500 kHz		95		
		V <sub>out</sub> = 20 V, I <sub>out</sub> = 1.5 A, F <sub>sw</sub> =500 kHz		96		
SCL <sub>f</sub>	SCL clock frequency				400	kHz
	Cable drop compensation	R <sub>CDC1</sub> = 10 kΩ, R <sub>CDC2</sub> = 24 kΩ, R <sub>SENSE</sub> = 25 mΩ, I <sub>LOAD</sub> = 1 A		450		mV
	Cable drop tolerance		-30		+30	%
	Cable drop saturation			1		V
	ISNS+, ISNS- Bias current	V <sub>ISNS+</sub> = V <sub>ISNS-</sub> = 20 V		100		μA
EN	ON threshold		1.2			V
	OFF threshold				0.35	
I <sub>EN</sub>	Enable current	EN = GND		3	5	μA
<b>Logic section (SCL, SDA pins)</b>						
VOL	Low level output voltage	I <sub>SINK</sub> = 2 mA			0.2	V
VIH	High level threshold voltage		1.2			V
VIL	Low level threshold voltage				0.35	V
I <sub>lk</sub>	Leakage current	V <sub>pullup</sub> = 3.3 V		1		uA
<b>INT, PON pins</b>						
Vod	Output voltage	I <sub>SINK</sub> = 2 mA			0.1	V
Iod	Leakage current	V <sub>pullup</sub> = 5 V			1	uA

1. Cumulative current from PVIN and V<sub>CC</sub>.
2. Not tested in production.

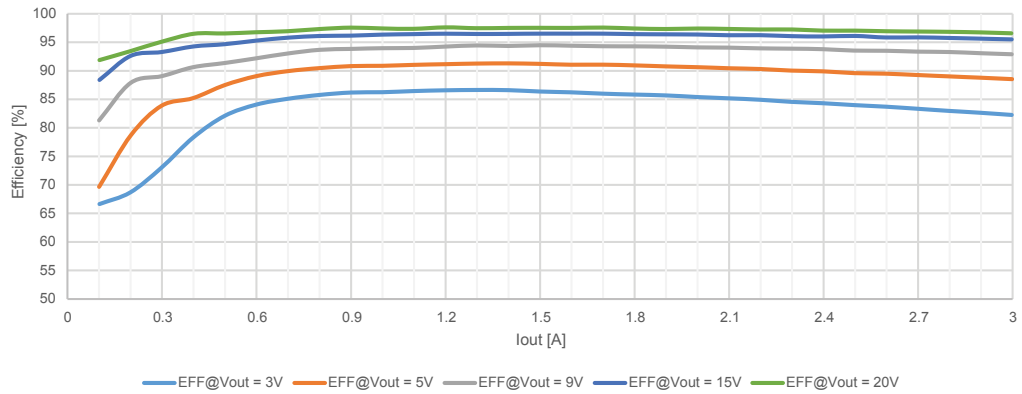
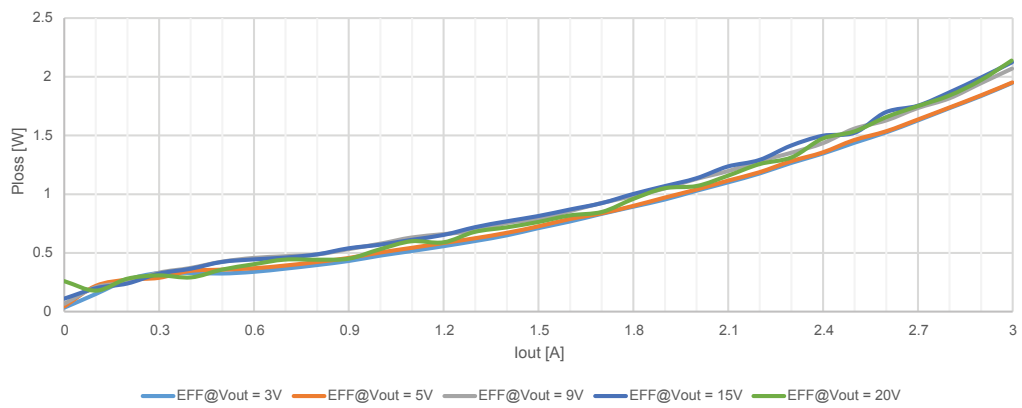
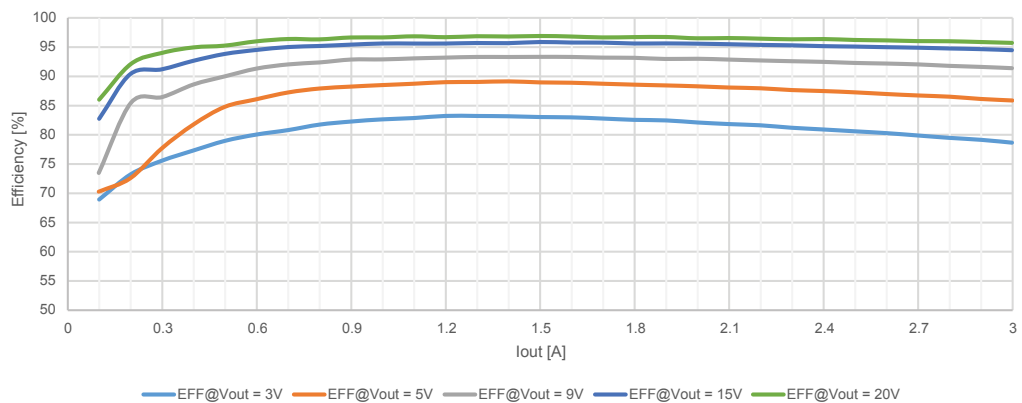
## 5 Block diagram

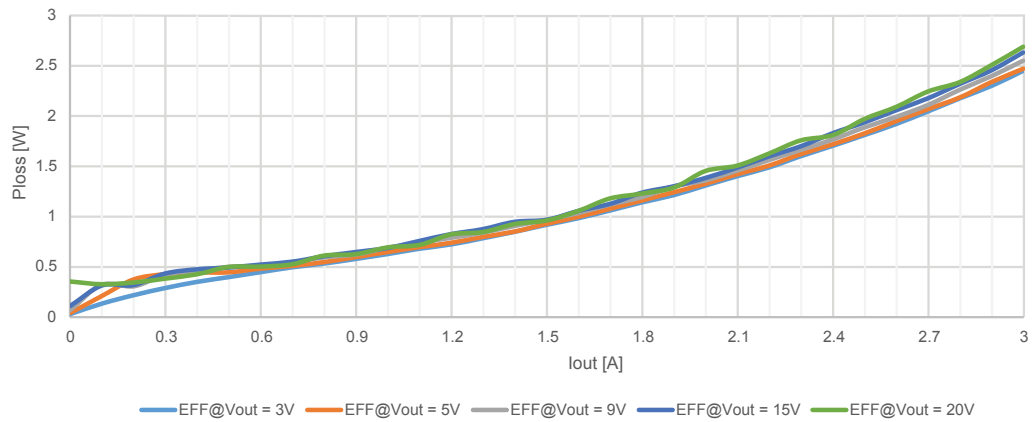
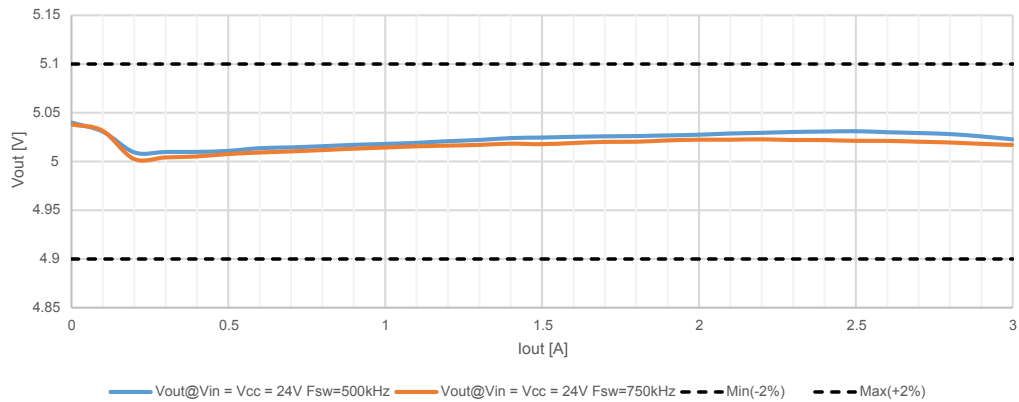
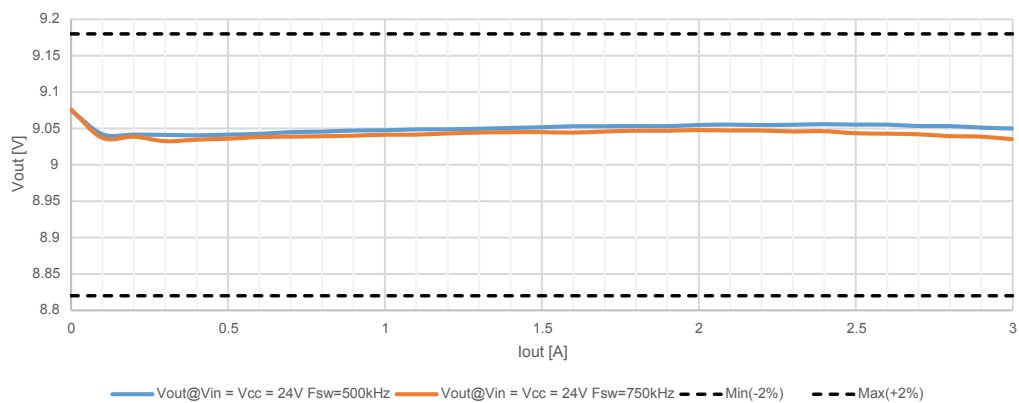
Figure 3. STPD01 block diagram

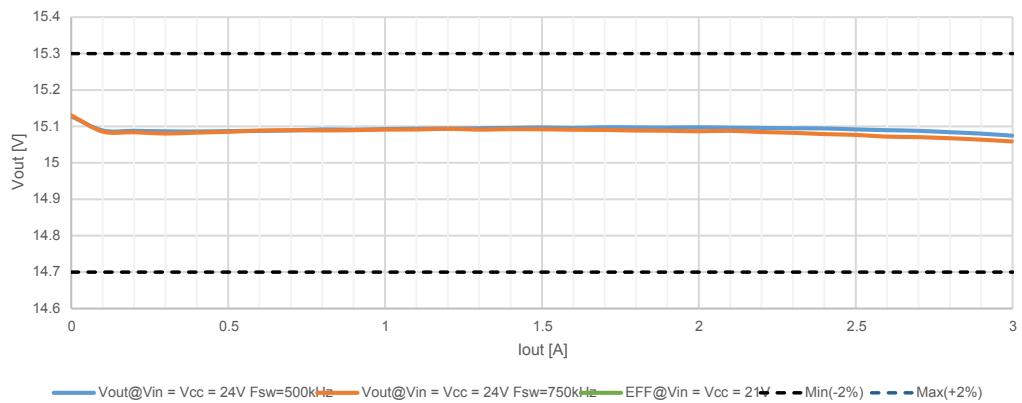
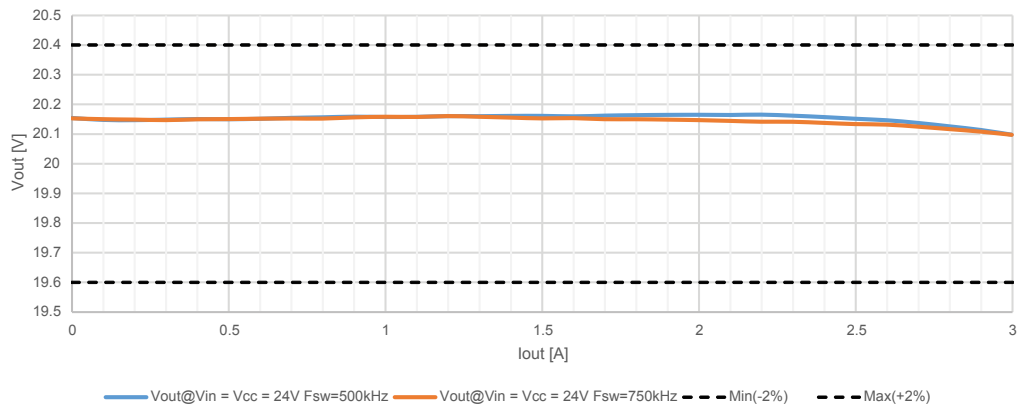
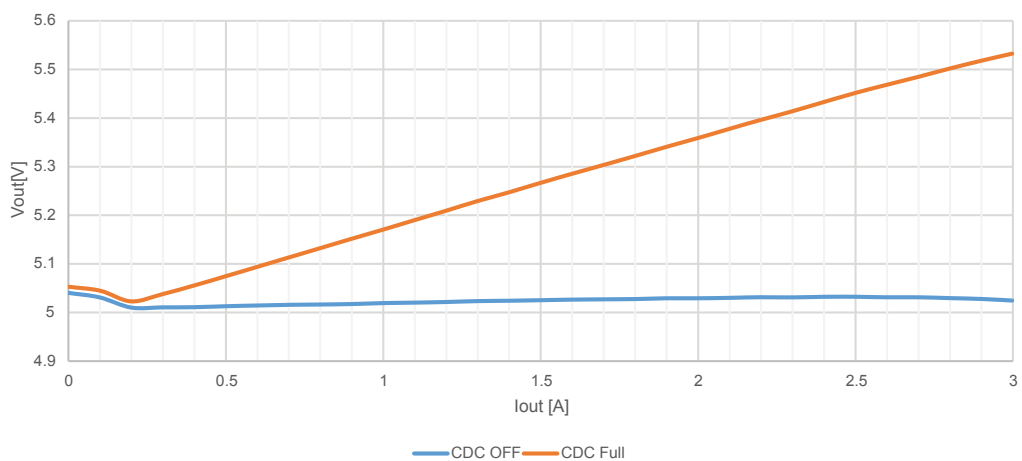


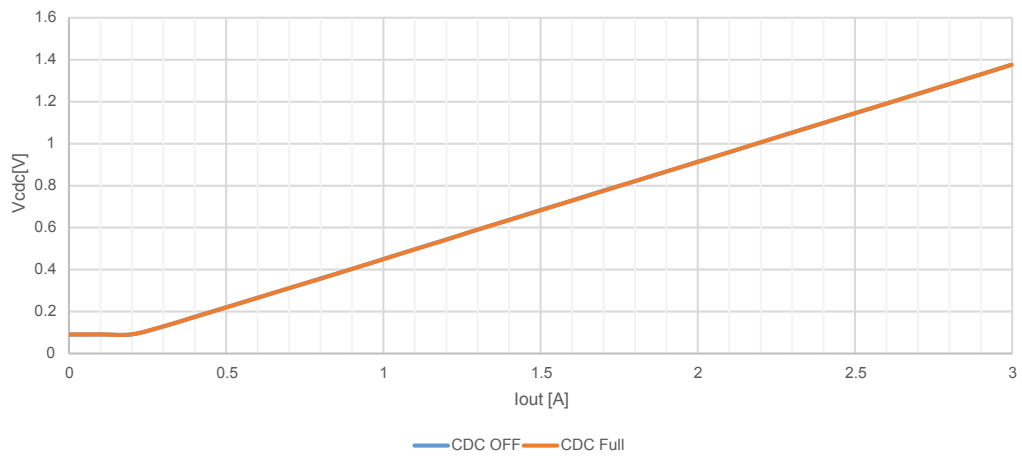
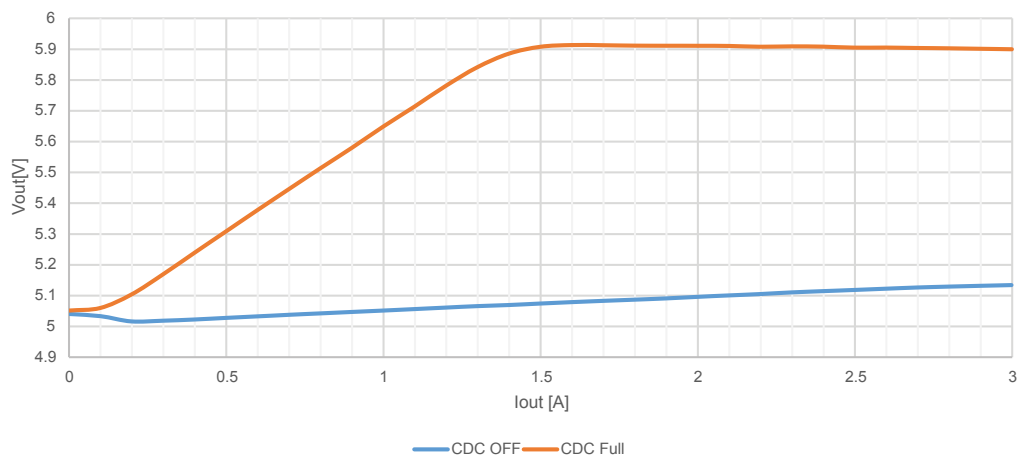
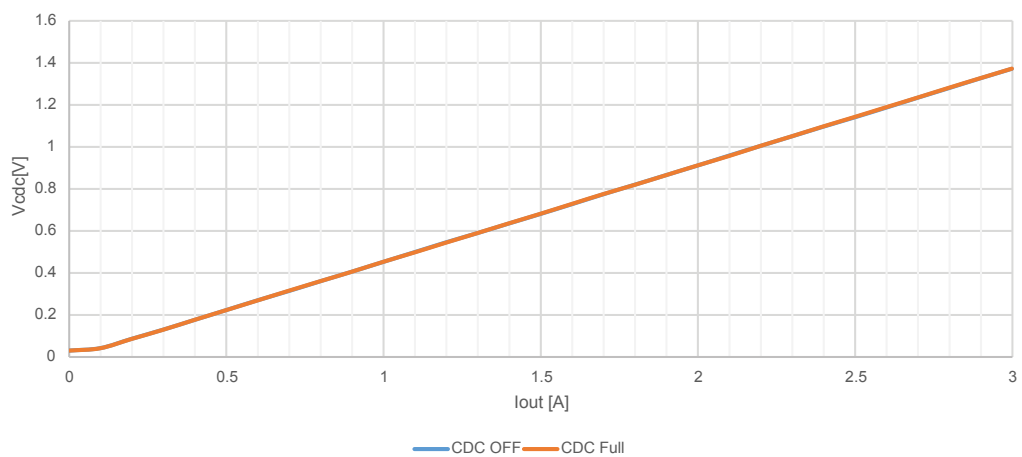


## 6 Typical performance characteristics

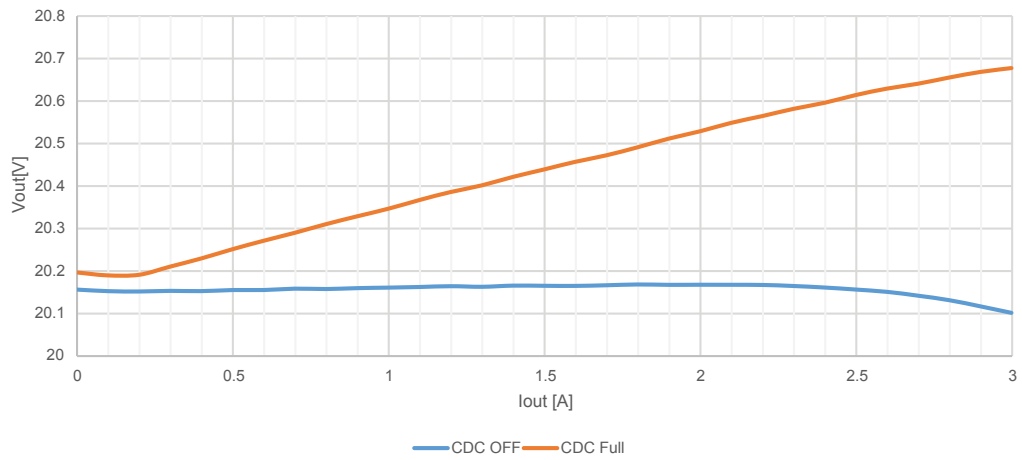
**Figure 4. Efficiency ( $V_{in} = V_{cc} = 24\text{ V}$ ,  $CC = 0x1F$ ,  $F_{sw} = 500\text{kHz}$ )**

**Figure 5. System  $P_{LOSS}$  ( $V_{in} = V_{cc} = 24\text{ V}$ ,  $CC = 0x1F$ ,  $F_{sw} = 500\text{ kHz}$ )**

**Figure 6. Efficiency ( $V_{in} = V_{cc} = 24\text{ V}$ ,  $CC = 0x1F$ ,  $F_{sw} = 750\text{ kHz}$ )**


**Figure 7. System P<sub>LOSS</sub> (Vin = Vcc = 24 V, CC = 0x1F, Fsw = 750 kHz)**

**Figure 8. VOUT vs. load (Vin = VCC = 24 V, Vout = 0x64 (5 V), CC = 0x1F)**

**Figure 9. VOUT vs. load (Vin = VCC = 24 V, Vout = 0xB0 (9 V), CC = 0x1F)**


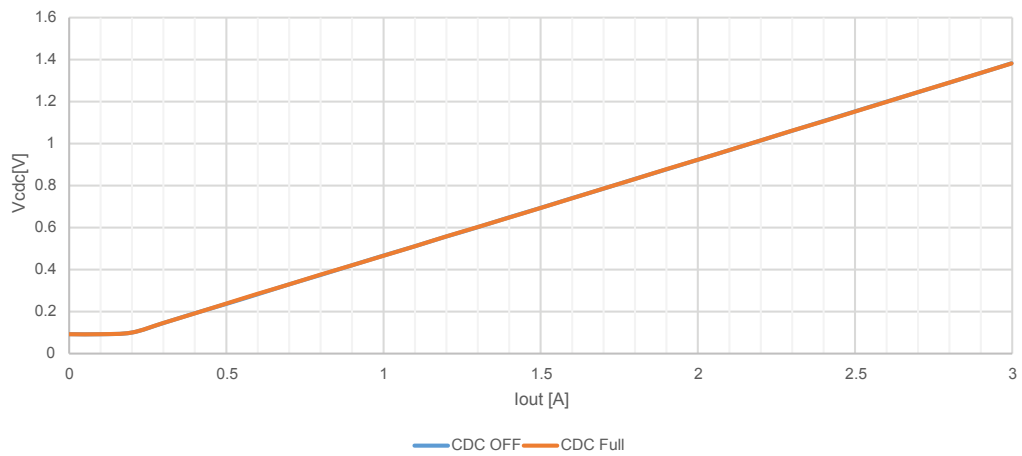
**Figure 10. VOUT vs. load (Vin = VCC = 24 V, Vout = 0xD8 (15 V), CC = 0x1F)**

**Figure 11. VOUT vs. load (Vin = VCC = 24 V, Vout = 0xF1 (20 V), CC = 0x1F)**

**Figure 12. VOUT vs. load, with cable drop compensation on (Vin = VCC = 24 V, Vout = 0x64 (5 V), CC = 0x1F, Rcdc2 = 24 kΩ, Fsw = 500 kHz)**


**Figure 13. VCDC vs. load ( $V_{in} = V_{CC} = 24\text{ V}$ ,  $V_{out} = 0x64\text{ (5 V)}$ ,  $CC = 0x1F$ ,  $R_{cdc2} = 24\text{ k}\Omega$ ,  $F_{sw} = 500\text{ kHz}$ )**

**Figure 14. VOUT vs. load, with cable drop compensation on ( $V_{in} = V_{CC} = 24\text{ V}$ ,  $V_{out} = 0x64\text{ (5 V)}$ ,  $CC = 0x1F$ ,  $R_{cdc2} = 6.8\text{ k}\Omega$ ,  $F_{sw} = 500\text{ kHz}$ )**

**Figure 15. VCDC vs. load ( $V_{in} = V_{CC} = 24\text{ V}$ ,  $V_{out} = 0x64\text{ (5 V)}$ ,  $CC = 0x1F$ ,  $R_{cdc2} = 6.8\text{ k}\Omega$ ,  $F_{sw} = 500\text{ kHz}$ )**


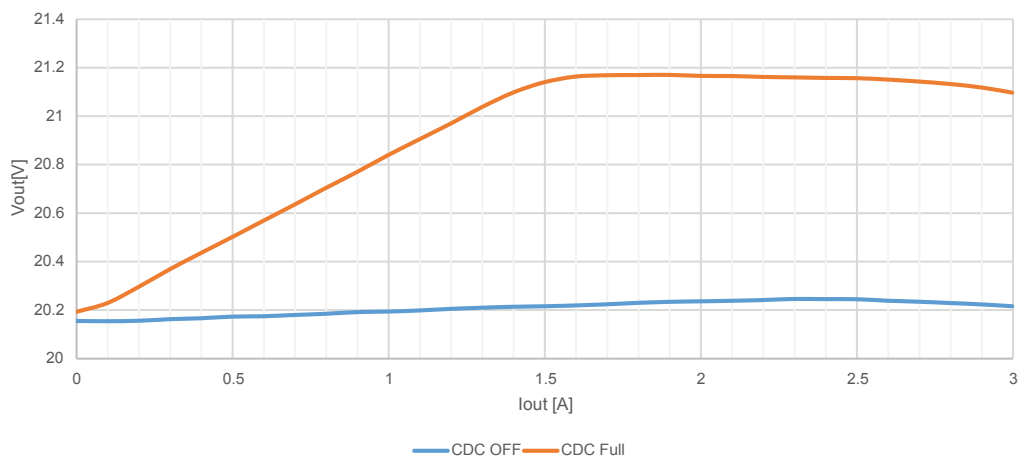
**Figure 16. VOUT vs. load, with cable drop compensation on (Vin = VCC = 24 V, Vout = 0xF1 (20 V), CC = 0x1F, R<sub>cdc2</sub> = 24 kΩ, F<sub>sw</sub> = 500 kHz)**

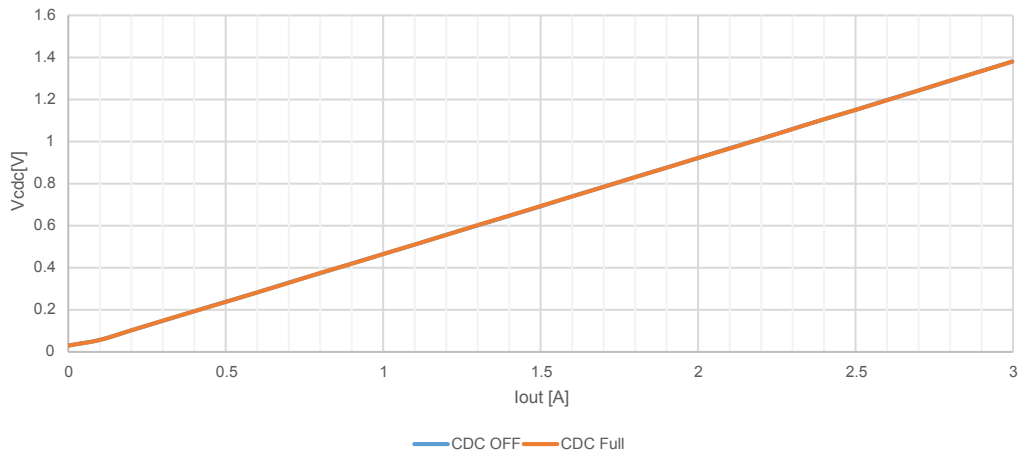
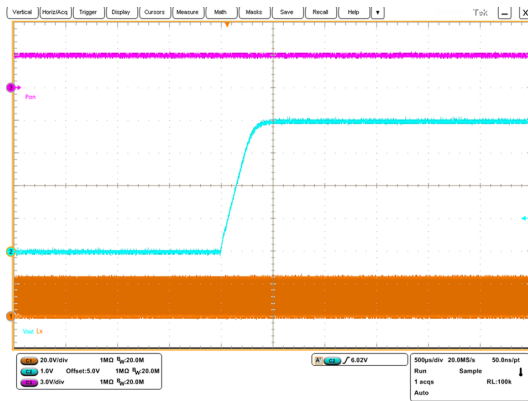
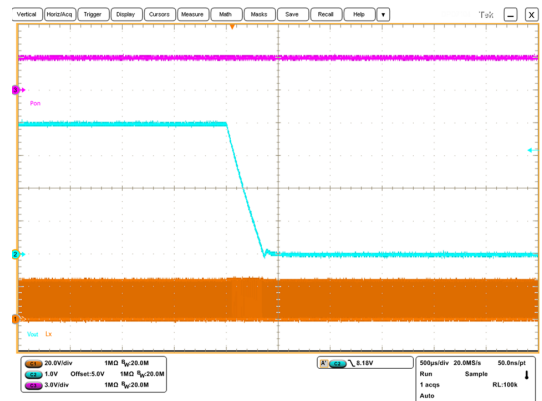
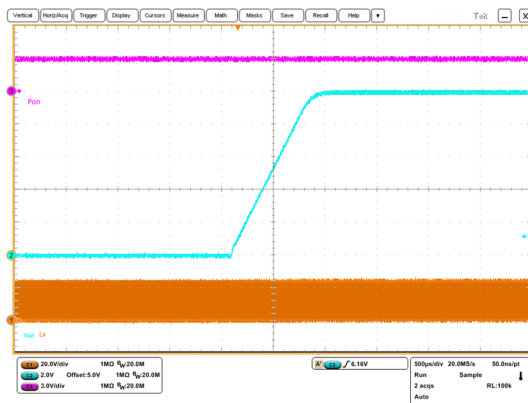
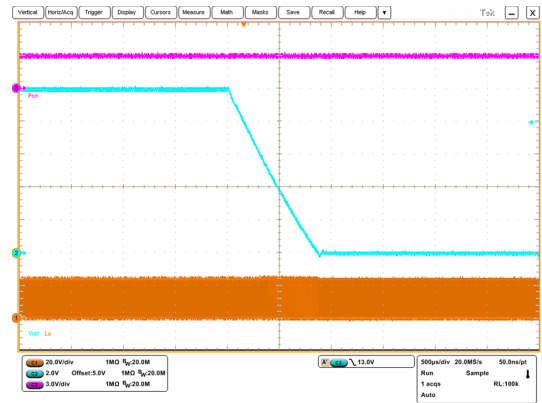


**Figure 17. VCDC vs. load (Vin = VCC = 24 V, Vout = 0xF1 (20 V), CC = 0x1F, R<sub>cdc2</sub> = 24 kΩ, F<sub>sw</sub> = 500 kHz)**

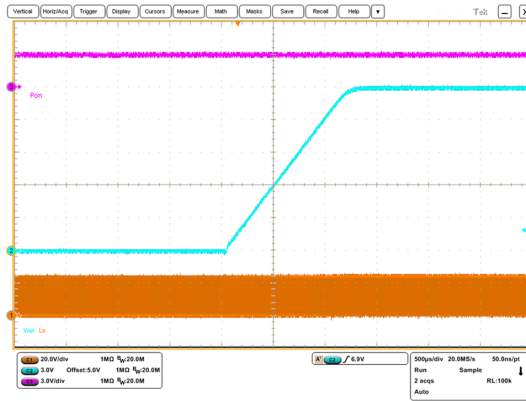


**Figure 18. VOUT vs. load, with cable drop compensation on (Vin = VCC = 24 V, Vout = 0xF1 (20 V), CC = 0x1F, R<sub>cdc2</sub> = 6.8 kΩ, F<sub>sw</sub> = 500 kHz)**

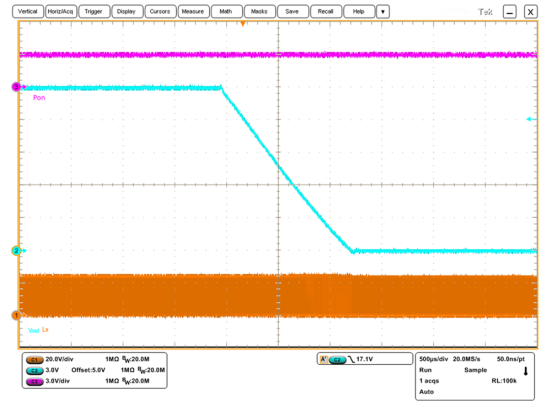


**Figure 19. V<sub>cdc</sub> vs. load (V<sub>in</sub> = V<sub>CC</sub> = 24 V, V<sub>out</sub> = 0xF1 (20 V), CC = 0x1F, R<sub>cdc2</sub> = 6.8 kΩ, F<sub>sw</sub> = 500 kHz)**

**Figure 20. V<sub>OUT</sub> transition (V<sub>in</sub> = V<sub>CC</sub> = 24 V, V<sub>out</sub> = 0x64 (5 V) to 0xB0 (9 V), CC = 0x1F, load = 500 mA, F<sub>sw</sub> = 500 kHz)**

**Figure 21. V<sub>OUT</sub> transition (V<sub>in</sub> = V<sub>CC</sub> = 24 V, V<sub>out</sub> = 0xB0 (9 V) to 0x64 (5 V), CC = 0x1F, load = 500 mA, F<sub>sw</sub> = 500 kHz)**

**Figure 22. V<sub>OUT</sub> transition (V<sub>in</sub> = V<sub>CC</sub> = 24 V, V<sub>out</sub> = 0x64 (5 V) to 0xD8 (15 V), CC = 0x1F, load = 500 mA, F<sub>sw</sub> = 500 kHz)**

**Figure 23. V<sub>OUT</sub> transition (V<sub>in</sub> = V<sub>CC</sub> = 24 V, V<sub>out</sub> = 0xD8 (15 V) to 0x64 (5 V), CC = 0x1F, load = 500 mA, F<sub>sw</sub> = 500 kHz)**


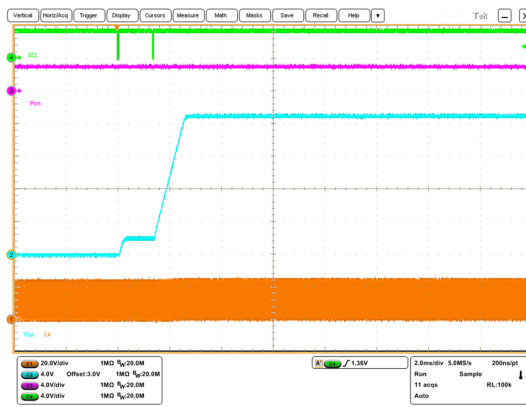
**Figure 24.** VOUT transition (Vin = VCC = 24 V, Vout = 0x64 (5 V) to 0xF1 (20 V), CC = 0x1F, load = 500 mA, F<sub>sw</sub> = 500 kHz)



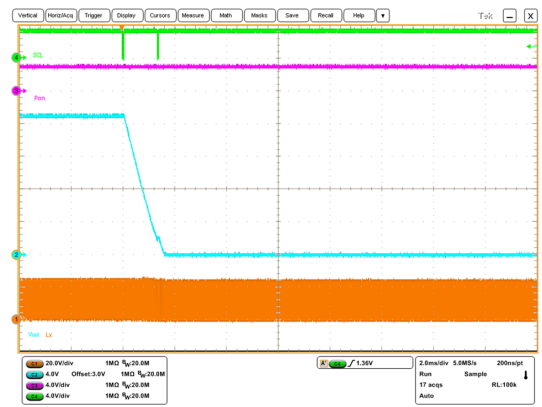
**Figure 25.** VOUT transition (Vin = VCC = 24 V, Vout = 0xF1 (20 V) to 0x64 (5 V), CC = 0x1F, load = 500 mA, F<sub>sw</sub> = 500 kHz)



**Figure 26.** VOUT transition (Vin = VCC = 24 V, Vout = 0x00 (3 V) to 0x64 (5 V) to 0xF1 (20 V), CC = 0x1F, load = 500 mA, F<sub>sw</sub> = 500 kHz)



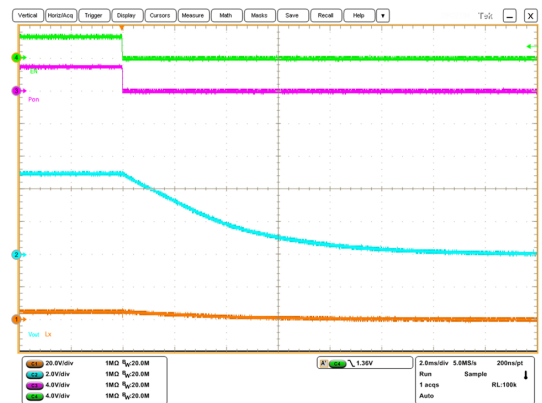
**Figure 27.** VOUT transition (Vin = VCC = 24 V, Vout = 0xF1 (20 V) to 0x64 (5 V) to 0x00 (3 V), CC = 0x1F, load = 500 mA, F<sub>sw</sub> = 500 kHz)

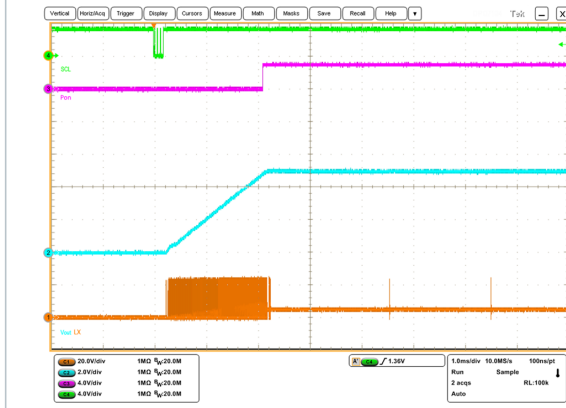
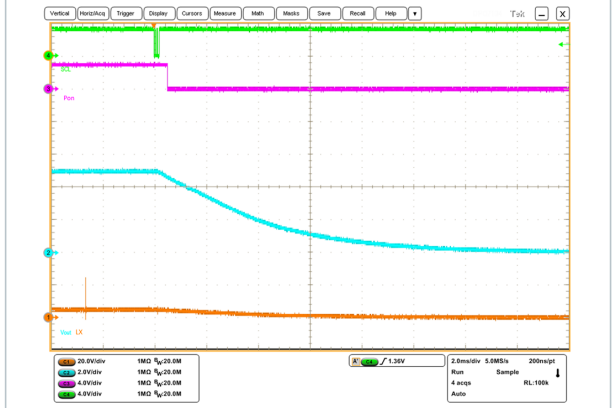


**Figure 28.** Enable startup (Vin = VCC = 24 V, Vout = 0x64 (5 V), no load)



**Figure 29.** Enable shutdown (Vin = VCC = 24 V, Vout = 0x64 (5 V), no load)



**Figure 30. Digit enable startup (Vin = VCC = 24 V, Vout = 0x64 (5 V), no load)**

**Figure 31. Digit enable shutdown (Vin = VCC = 24 V, Vout = 0x64 (5 V), no load)**




## 7 Operation description

### 7.1 Enable

The device can be forced into shutdown mode by pulling the enable pin low. In this condition, the I<sup>2</sup>C interface is switched off.

Once the EN pin voltage exceeds the threshold value, then the device immediately switches on following the start-up sequence.

#### 7.1.1 Digital enable

The device can be enabled/disabled using the external pin EN, which switches off the DC-DC, the oscillator and the digital core completely.

Optionally, the DC-DC can be switched off by the DIG\_EN bit in I<sup>2</sup>C register (0x06), but in this case the digital core is kept partially ON to allow the I<sup>2</sup>C to wake up the device.

**Table 7. Functional modes**

Dig_EN bit	EN pin	I <sup>2</sup> C interface	DC-DC state	Pon
-	Low	OFF	Stop	Functional
Low	High	Functional	Stop	Functional
High	High	Functional	Operating	Functional

### 7.2 Cable drop compensation

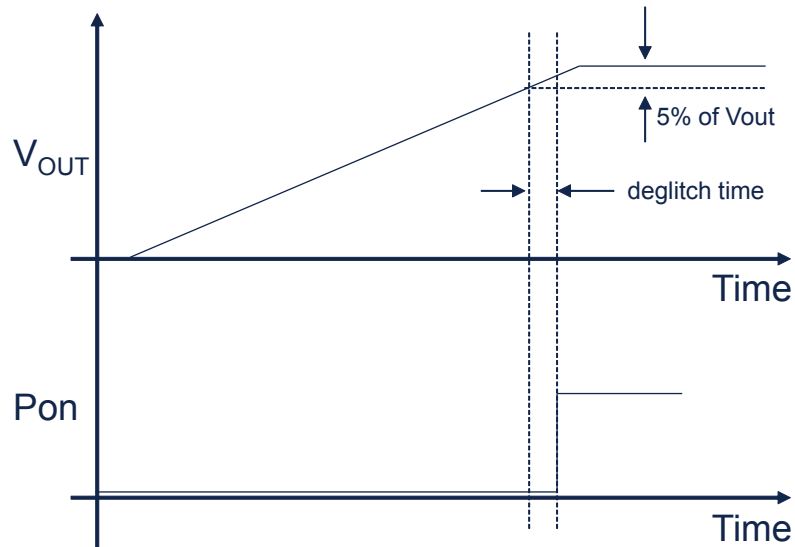
In some applications, the output voltage needs to be increased proportionally to load current to compensate the potential voltage drop across copper tracks (and output cable). The compensation acts by altering the current flowing in the high-side of the voltage feedback resistor divider. The resulting compensation voltage is expressed as follows:

$$\Delta V_{out} = k \cdot I_{LOAD} \cdot R_{SENSE} \cdot (R_{CDC1}/R_{CDC2}) \quad (1)$$

where the parameter k is 18 and R<sub>CDC2</sub> depends on the cable resistance, with R<sub>CDC1</sub> being typically 10 kOhm.

The cable drop compensation loop should be very slow to avoid potential disturbance to the voltage loop. This can be achieved by a proper choice of R<sub>CDC1</sub> and C<sub>CDC</sub>.

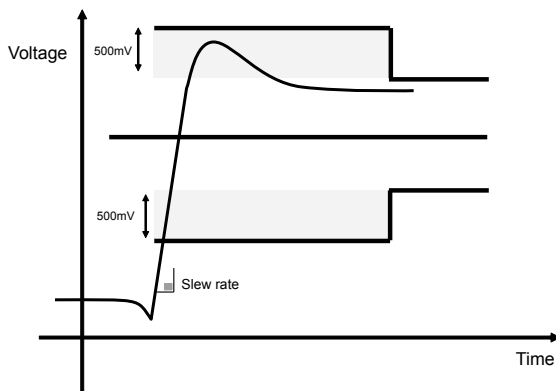
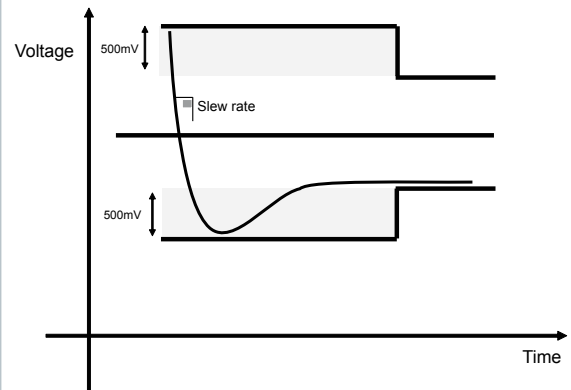


**Figure 33. Deglitch time**


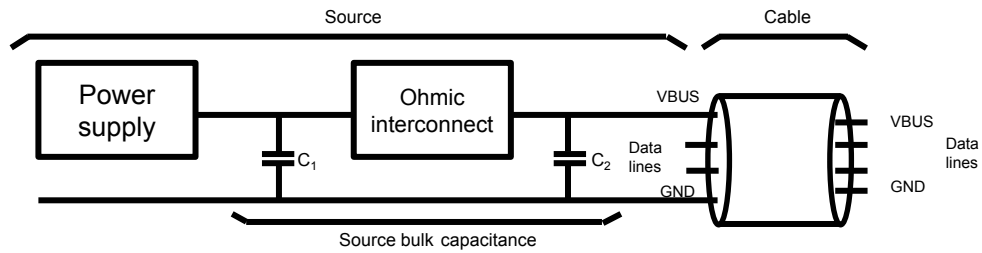
## 7.5 Vout transition

The Vout transitions are performed forcing the device into PWM mode in order to guarantee the max. slew rate reported in the EC table (see [Table 6. Electrical characteristics](#)).

During the transitions, the voltage level overcomes the limits defined by the  $\pm 2\%$  precision. Therefore an extra margin of 500 mV (max.) is allowed for about 300 ms and OVP is masked in order to avoid false alarms.

**Figure 34. Transition envelope for positive voltage transitions**

**Figure 35. Transition envelope for negative voltage transitions**


The maximum slew rate is guaranteed with the output capacitance value defined in the USB-PD spec. as follows:

**Figure 36. Placement of source bulk capacitance**


where C1 and C2 can be either a single capacitor, a capacitor bank or a distributed capacitance having a minimum value (total) of 10  $\mu$ F.

## 7.6 Clock dithering

To reduce EMI emission, the clock frequency dithers by 5% around its nominal value thus reducing the noise mean amplitude. This also randomly spreads the switching currents of many different STPD01 in a multi-port system.

## 7.7 Programmable watchdog

The STPD01 includes a watchdog function. The watchdog timer is enabled in the register 0x06. During this time, if there is no communication between the host and the STPD01, an interrupt is generated in the INT pin if not masked. Once the interrupt is activated, the host has 100 ms (default value) to send a command on the I<sup>2</sup>C to the STPD01 address, otherwise the registers 0x00, 0x01 and 0x05 are reset at their default values.

The interrupt is reset after the first I<sup>2</sup>C access.

This watchdog function can be disabled setting the bit 1 in register 0x06.

## 7.8 Protections

The device is equipped with some protections summarized in the following table

**Table 8. Protections**

Protection	Function	INT pin STATUS	Pon pin STATUS
OVP (overvoltage protection)	Active as soon as the device is enabled and PVIN/VCC voltage valid is present (above the UVLO level), even during the soft-start. The protection is triggered when the voltage sensed on the VSNS pin rises over the OVP threshold. See <a href="#">Section 7.8.1 Overvoltage protection</a> for more details.	LOW	Pon goes low if Vout rises above 5% of the value set (deglitched for 5 ms). Also, in case EN pin is low, the Pon is low
CC (constant current function)	Active as soon as the device is in regulation (so, at the ends of the soft-start). This function is triggered when the output current is over the CC <sub>th</sub> threshold and the device acts to overcome the voltage regulation loop to limit the output current. The VOUT drops below the programmed level.  The constant current function can be disabled by writing 0x1F to the register 0x01.	LOW	HIGH
OTP (overtemperature protection)	Active as soon as the device is enabled and PVIN/VCC voltage valid is present (above the UVLO level), even during the soft-start. The protection is triggered when the internal temperature is over the OTP threshold and the device acts by suddenly switching off both HS and LS MOSFET. The VOUT bits (reg 0x00) and I <sub>lim</sub> bits (reg 0x01) are reset. Discharge is activated if enabled by the dedicated bit.	LOW	HIGH

Protection	Function	INT pin STATUS	Pon pin STATUS
	The device follows a soft-start procedure when the temperature is below 135 °C with default output voltage value.		
SCP (short-circuit protection)	Active as soon as the device is in regulation (at the ends of the soft-start). The protection is triggered when the output voltage is under the SCP threshold and the $I_{pk}$ threshold is detected. The device acts by suddenly switching off both HS and LS MOSFET.  The device follows a soft-start procedure after 300 ms with default output voltage value. The VOUT bits (reg 0x00) and $I_{lim}$ bits (reg 0x01) are reset.	LOW	HIGH
IPK (inductor peak current)	Active as soon as the device is enabled and PVIN/VCC voltage valid is present (above the UVLO level), even during the soft-start.  The condition is checked cycle-by-cycle on the high-side and triggered once the current cross the $I_{PK}$ threshold.  The device reacts switching asynchronously (independent from oscillator frequency) between $I_{pk}$ and $I_{valley}$ with a given slope, dependent on L and $C_{out}$ .	LOW	HIGH

### 7.8.1 Overvoltage protection

Overvoltage protection behaves in different ways depending on the state of the device.

#### Case A) OV during Vout transition

- In case an OV occurs during a Vout transition, the output voltage must be reset to 5 V ( $V_{safe}$ ). Therefore, the following process applies:  
 OV event longer than deglitch time => REG 0x00 = 0x64 => after blanking time, the half-bridge is put in high impedance if the OV condition is still present.  
 In case OV lasts less than deglitch time, the event is filtered.

#### Case B) OV during steady-state

- Case B1) Vout=5 V**  
 If OV event is detected, the half-bridge is just put in high impedance until the condition disappears.
- Case B2) Vout different than 5 V**  
 The following process applies:  
 OV event longer than deglitch time => REG 0x00 = 0x64 => after blanking time, the half-bridge is put in high impedance if the OV condition is still present.  
 In case OV lasts less than deglitch time, the event is filtered.

## 7.9 Interrupt functionality

The interrupt output is activated on the edge of the fault and is reset once the fault disappears. To keep track of the fault, the corresponding bit in the INT\_LTCH register is set.

Such interrupt management process allows multiple interrupt tracking. The I<sup>2</sup>C master reads the INT\_LTCH register and optionally can read the INT\_STAT to check if some fault is still active.

## 7.10 Switching frequency

The STPD01 allows two possible programmable switching frequencies (by I<sup>2</sup>C): 500 kHz (default) and 750 kHz (reg 0x05 bit 2).

## 7.11 Pulse skip

At light loads, the device works in discontinuous conduction mode. Zero-cross comparator is implemented to detect when the coil current crosses the zero during  $T_{OFF}$  (i.e. low-side MOSFET on). During the sleep periods of the DCM operations both power MOSFETs are off and the efficiency is improved according to that. Moreover, the sleep period is a function of the load.

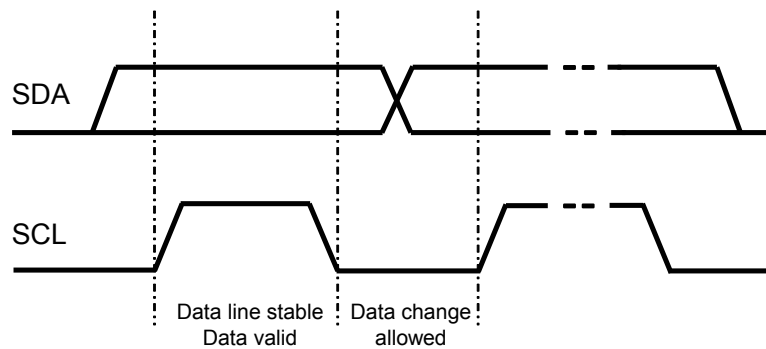
Since the device works at almost fixed frequency (only 500 kHz or 750 kHz are selectable by  $I^2C$ ) with fixed minimum  $T_{on}$  typically 100 ns and wide  $P_{VIN}$  range, up to 26.4 V, pulse skipping operation occurs to guarantee the proper regulation to light load (or no load conditions).

In addition, the pulse skip threshold (i.e. the voltage the device enters the pulse skip operation) can be properly selected to optimize the efficiency at light loads.

## 7.12 Bus timing

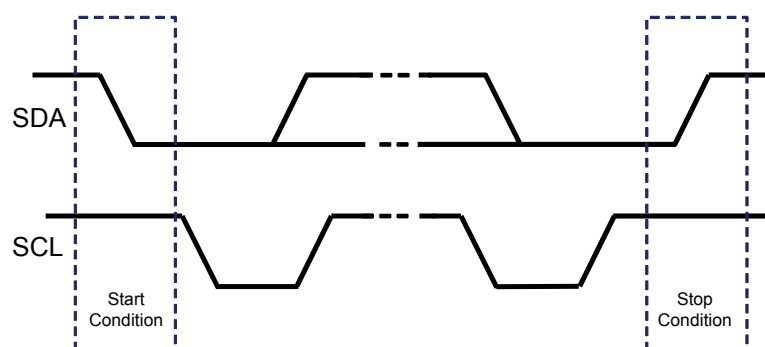
As shown in the figure below, the data on the SDA line must be stable during the high semi-period of the clock. The high and low-state of the data line can only change when the clock signal on the SCL line is low.

**Figure 37. Data transfer validity**



Each bus transaction begins with a “START” command which is defined as SDA transition from 1 to 0 with SCL high, and it is finished with a “STOP” command, which is defined as SDA transition from 0 to 1 with SCL high, as shown in Figure 38. **START and STOP commands.**

**Figure 38. START and STOP commands**



The master generates the start command and transmits the 7-bit address and the read/write bit on SDA line. All slave devices compare the address sent by the master to their internal fixed addresses. Only the slave device, with a matching address, generates an ACK by pulling the SDA line low during the entire high period of the ninth SCL clock. The acknowledge bit is used to indicate a successful byte transfer.



There are four possible configurations as reported below:

**Table 9. I<sup>2</sup>C address configuration**

ADD connection	Bit ADD1 and ADD0
VAUX (max 5.5 V)	00
GND	01
SDA	10
SCL	11



## 8 Control register description

### 8.1 Register map

**Table 10. Configuration bits**

Content	# of configurations	Comments
Vout	240 (8 bit)	3 V to 5.9 V with 20 mV step, 5.9 V to 11 V with 100 mV step, 11 V to 20 V with 200 mV step
Ilim	25 (5 bit)	From 0.1 A to 3 A with 100 mA steps (flag_50 mA can be used to obtain 50 mA steps)
Interrupt mask	7 (7 bit)	OVP, CC, SCP, Pon, WD, OTP, OTW, IPK
Interrupt status	7 (7 bit)	Interrupt status
Interrupt latch	7 (7 bit)	Interrupt latch
Auto-discharge	2 (1 bit)	Auto-discharge enable/disable
Dithering	2 (1 bit)	Dithering enable/disable
Switching frequency	2 (1 bit)	500 kHz, 750 kHz
Cable drop comp.	3 (2 bit)	OFF, full
Enable watchdog	2 (1 bit)	Enable/disable
Watchdog	4 (2 bit)	100 ms, 500 ms, 1 s, 5 s
Enable	2 (1 bit)	ON/OFF (see <a href="#">Section 7 Operation description</a> )

**Table 11. Register map summary**

ADDR	R/W	Bit7	Bit6	Bit5	Bit4	Bit3	Bit2	Bit1	Bit0
0x00	R/W	Vout(7)	Vout(6)	Vout(5)	Vout(4)	Vout(3)	Vout(2)	Vout(1)	Vout(0)
0x01	R/W	Flag_50ma	Not used	Not used	ILIM(4)	ILIM(3)	ILIM(2)	ILIM(1)	ILIM(0)
0x02	R	INT_STAT(7)	INT_STAT(6)	INT_STAT(5)	INT_STAT(4)	INT_STAT(3)	INT_STAT(2)	INT_STAT(1)	INT_STAT(0)
0x03	R/C	INT_LTC(7)	INT_LTC(6)	INT_LTC(5)	INT_LTC(4)	INT_LTC(3)	INT_LTC(2)	INT_LTC(1)	INT_LTC(0)
0x04	R/W	INT_MASK(7)	INT_MASK(6)	INT_MASK(5)	INT_MASK(4)	INT_MASK(3)	INT_MASK(2)	INT_MASK(1)	INT_MASK(0)
0x05	R/W	WTCHDG(1)	WTCHDG(0)	Not used	CDC(1)	CDC(0)	SW_FREQ	DITH	AUTO_DIS
0x06	R/W	Not used	Not used	Not used	Not used	Not used	Not used	WD_EN	DIG_EN

R: read; R/W: read and write; R/C: cleared when read.

## 8.2 Register description

### 8.2.1 Register 0x00

The register 0x00 is used to set the output voltage configuration. Its default value (reset) is 0x64.

**Table 12. 0x00 register description**

Hex value	Voltage value (V)	Hex value	Voltage value (V)	Hex value	Voltage value (V)	Hex value	Voltage value (V)	Hex value	Voltage value (V)
0x00	3	0x30	3.96	0x66	5.04	0x9C	7	0xD2	13.8
0x01	3.02	0x31	3.98	0x67	5.06	0x9D	7.1	0xD3	14
0x02	3.04	0x32	4	0x68	5.08	0x9E	7.2	0xD4	14.2
0x03	3.06	0x33	4.02	0x69	5.1	0x9F	7.3	0xD5	14.4
0x04	3.08	0x34	4.04	0x6A	5.12	0xA0	7.4	0xD6	14.6
0x05	3.1	0x35	4.06	0x6B	5.14	0xA1	7.5	0xD7	14.8
0x06	3.12	0x36	4.08	0x6C	5.16	0xA2	7.6	0xD8	15
0x07	3.14	0x37	4.1	0x6D	5.18	0xA3	7.7	0xD9	15.2
0x08	3.16	0x38	4.12	0x6E	5.2	0xA4	7.8	0xDA	15.4
0x09	3.18	0x39	4.14	0x6F	5.22	0xA5	7.9	0xDB	15.6
0x0A	3.2	0x3A	4.16	0x70	5.24	0xA6	8	0xDC	15.8
0x0B	3.22	0x3B	4.18	0x71	5.26	0xA7	8.1	0xDD	16
0x0C	3.24	0x3C	4.2	0x72	5.28	0xA8	8.2	0xDE	16.2
0x0D	3.26	0x3D	4.22	0x73	5.3	0xA9	8.3	0xDF	16.4
0x0E	3.28	0x3E	4.24	0x74	5.32	0xAA	8.4	0xE0	16.6
0x0F	3.3	0x3F	4.26	0x75	5.34	0xAB	8.5	0xE1	16.8
0x10	3.32	0x40	4.28	0x76	5.36	0xAC	8.6	0xE2	17
0x11	3.34	0x41	4.3	0x77	5.38	0xAD	8.7	0xE3	17.2
0x12	3.36	0x42	4.32	0x78	5.4	0xAE	8.8	0xE4	17.4
0x13	3.38	0x43	4.34	0x79	5.42	0xAF	8.9	0xE5	17.6
0x14	3.4	0x44	4.36	0x7A	5.44	0xB0	9	0xE6	17.8
0x15	3.42	0x45	4.38	0x7B	5.46	0xB1	9.1	0xE7	18
0x16	3.44	0x46	4.4	0x7C	5.48	0xB2	9.2	0xE8	18.2
0x17	3.46	0x47	4.42	0x7D	5.5	0xB3	9.3	0xE9	18.4
0x18	3.48	0x48	4.44	0x7E	5.52	0xB4	9.4	0xEA	18.6
0x19	3.5	0x49	4.46	0x7F	5.54	0xB5	9.5	0xEB	18.8
0x1A	3.52	0x4A	4.48	0x80	5.56	0xB6	9.6	0xEC	19
0x1B	3.54	0x4B	4.5	0x81	5.58	0xB7	9.7	0xED	19.2
0x1C	3.56	0x4C	4.52	0x82	5.6	0xB8	9.8	0xEE	19.4
0x1D	3.58	0x4D	4.54	0x83	5.62	0xB9	9.9	0xEF	19.6
0x1E	3.6	0x4E	4.56	0x84	5.64	0xBA	10	0xF0	19.8
0x1F	3.62	0x4F	4.58	0x0x85	5.66	0xBB	10.1	0xF1	20
0x20	3.64	0x50	4.6	0x86	5.68	0xBC	10.2		
0x21	3.66	0x51	4.62	0x87	5.7	0xBD	10.3		
0x22	3.68	0x52	4.64	0x88	5.72	0xBE	10.4		

Hex value	Voltage value (V)	Hex value	Voltage value (V)	Hex value	Voltage value (V)	Hex value	Voltage value (V)	Hex value	Voltage value (V)
0x23	3.7	0x53	4.66	0x89	5.74	0xBF	10.5		
0x24	3.72	0x54	4.68	0x8A	5.76	0xC0	10.6		
0x25	3.74	0x55	4.7	0x8B	5.78	0xC1	10.7		
0x26	3.76	0x56	4.72	0x8C	5.8	0xC2	10.8		
0x27	3.78	0x57	4.74	0x8D	5.82	0xC3	10.9		
0x28	3.8	0x58	4.76	0x8E	5.84	0xC4	11		
0x29	3.82	0x59	4.78	0x8F	5.86	0xC5	11.2		
0x2A	3.84	0x5A	4.8	0x90	5.88	0xC6	11.4		
0x2B	3.86	0x5B	4.82	0x91	5.9	0xC7	11.6		
0x2C	3.88	0x5C	4.84	0x92	6	0xC8	11.8		
0x2D	3.9	0x5D	4.86	0x93	6.1	0xC9	12		
0x2E	3.92	0x5E	4.88	0x94	6.2	0xCA	12.2		
0x2F	3.94	0x5F	4.9	0x95	6.3	0xCB	12.4		
0x30	3.96	0x60	4.92	0x96	6.4	0xCC	12.6		
0x31	3.98	0x61	4.94	0x97	6.5	0xCD	12.8		
0x32	4	0x62	4.96	0x98	6.6	0xCE	13		
0x33	4.02	0x63	4.98	0x99	6.7	0xCF	13.2		
0x34	4.04	0x64	5	0x9A	6.8	0xD0	13.4		
0x35	4.06	0x65	5.02	0x9B	6.9	0xD1	13.6		

### 8.2.2 Register 0x01

The register 0x01 is used to set the output current limitation configuration. Its default value (reset) is 0x04, which is 500 mA.

**Table 13. 0x01 register description**

Hex value	I <sub>LIM</sub> (mA)	Hex value	I <sub>LIM</sub> (mA)
0x00	100	0x0F	1600
0x01	200	0x10	1700
0x02	300	0x11	1800
0x03	400	0x12	1900
0x04	500	0x13	2000
0x05	600	0x14	2100
0x06	700	0x15	2200
0x07	800	0x16	2300
0x08	900	0x17	2400
0x09	1000	0x18	2500
0x0A	1100	0x19	2600
0x0B	1200	0x1A	2700
0x0C	1300	0x1B	2800
0x0D	1400	0x1C	2900
0x0E	1500	0x1D	3000

### 8.2.3 Interrupt registers: 0x02, 0x03, 0x04

The registers 0x02, 0x03 and 0x04 are used for the interrupt management and in particular:

0x02: interrupt status (reset value 0x00), bit at 0 means “no interrupt”

0x03: interrupt latch (reset value 0x00), bit at 0 means “not latched”

0x04: interrupt mask (reset value 0x0E), bit at 0 means “not masked”

The single bits are organized as follows:

**Table 14. Interrupt register description**

Bit	Function	Notes
0	Overvoltage protection	
1	Constant current function	
2	Short-circuit protection	
3	Power-on	
4	Watchdog	
5	Overtemperature protection	Junction temperature 165 °C
6	Overtemperature warning	Junction temperature 145 °C
7	Inductor peak current protection	

### 8.2.4 Register 0x05

The register 0x05 is used for services and in particular:

Bit	Function	Notes
0	Discharge	0: OFF 1: ON (default)
1	Dithering	0: OFF (default) 1: ON
2	Switching frequency	0: 500 kHz (default) 1: 750 kHz
4:3	Cable drop compensation	00: OFF (default) 10: Full 01: N/A 11: N/A
5	Not used	-
7:6	Watchdog timer	00: 100 ms (default) 01: 500 ms 10: 1 s 11: 5 s

Default value (reset) is 0x01.

### 8.2.5 Register 0x06

The register 0x06 is only used for digital enable.

Bit	Function	Notes
0	Digital enable	0: OFF 1: ON (default)
1	Watchdog enable	0: OFF (default) 1: ON
7:2	To be defined	To be defined

Default value (reset) is 0x01.

## 9 Application notes

### 9.1 Board layout guidelines

#### Guidelines

The DC-DC converter area is very sensitive, and it is necessary to pay attention to the layout of this part. The DC-DC converter generates GND noise that can get coupled on surrounding ground reducing the sensitivity, and high-frequency components can be coupled onto RF part. So, to ensure a correct layout it is necessary to:

- Provide efficient filtering by placing capacitors as close as possible
- Reduce parasitic ensuring wide and short connections.

#### Four-layer boards

A four-layer board is strongly recommended. Put the ground layer very close to the top layer to obtain a good ground plane reference. A thickness between the top layer and ground layer of 0.2 mm or 0.3 mm is suggested. Put a ground plane internally to reduce the coupling between the traces

If it is not possible to use a four-layer board, it is necessary to fill the area under the phase node of the board with ground metal to reduce or eliminate radiation emissions. Board routing and wiring should not be placed in this region to prevent coupling effects and to ensure a good ground reference plane to the RF parts.

#### Ground plane

Any switch mode power supply requires a good PCB layout in order to achieve the maximum performance. Component placement, and GND trace routing and width are the major issues. Basic rules commonly used for DC-DC converters for good PCB layout should be followed. All traces carrying current should be drawn on the PCB as short and as thick as possible. This should be done to minimize resistive and inductive parasitic effects, and increase system efficiency. Suggested PCB (ring) ground plane to avoid spikes on the output voltage. Good soldering of the exposed pad helps on this issue.

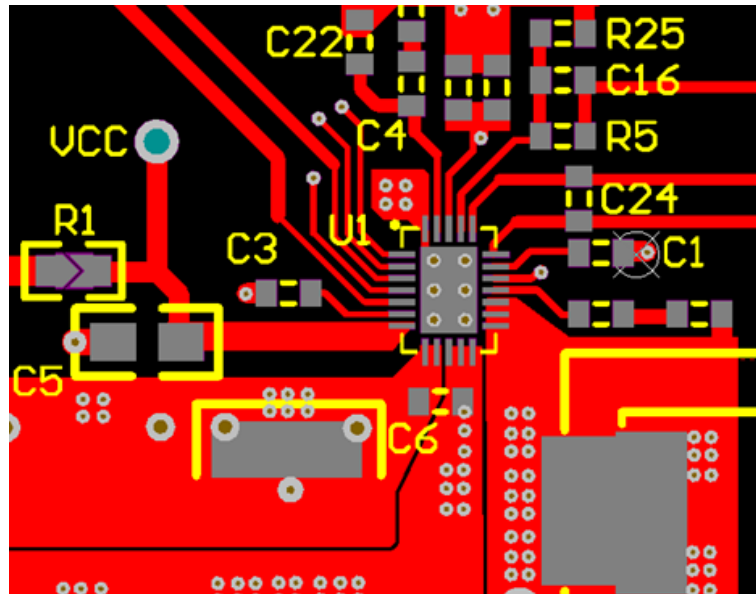
Connect all the ground metallization and/or layers with as many vias as possible. Ground vias between layers should be added liberally throughout the RF portion of the PCB. This helps prevent accrual of parasitic ground inductance due to ground-current return paths. The vias also help to prevent cross-coupling from RF and other signal lines across the PCB.

The layers assigned to system bias (DC supply) and ground must be considered in terms of the return current for the components. The general guidance is not to have signals routed on layers between the bias layer and the ground layer.

#### Capacitors placing

Particular care has to be taken in the placement of the supply voltage filtering capacitors. It is, in fact, important to ensure efficient filtering placing these capacitors as close as possible from their dedicated pins on the VIN (C6), VCC (C5), VREG (C1), VHDRIVE (C3), VBOOT (C14) and VSNS (C16).

Figure 41. Capacitor placing

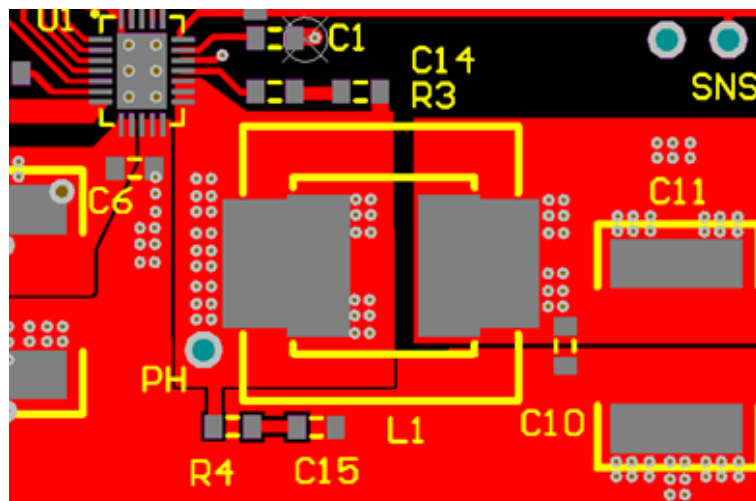


The layout of decoupling capacitors is extremely important to minimize the induction loop formed between the capacitor and the IC power and ground. The vias should be placed on the side of the capacitor lands, not the ends. The vias should be located at minimum keepout distance and connected to the capacitor lands with a wide trace - at least as wide as the via pad. Vias of opposite polarity should be placed as close together as possible (minimum keepout distance) and vias of the same polarity should be kept separated as much as possible. If space allows, a second pair of vias on the opposite side of the capacitor may be added to reduce the inductance further.

#### Inductor placing

The DC-DC converter inductor has to be placed as close as possible with traces as short and as thick as possible. This should be done to minimize resistive parasitic effects, and increase system efficiency.

Figure 42. Inductor placing



#### Vias placing

It is crucial to connect very well the ground of the exposed pad of the QFN24L to the ground on the application board. Therefore many vias are necessary to be sure that the parasitic inductor introduced from each via is negligible.

Connect all the ground metallization and/or layers with as many vias as possible. The vias should be located at minimum keepout distance; this should be done to minimize resistive and inductive parasitic effects.

**Reference voltage**

V<sub>ref</sub> is generated by an internal LDO. Place a decoupling capacitor very close. Use good capacitor layout techniques. Do not route the V<sub>ref</sub> trace near noisy traces or planes.

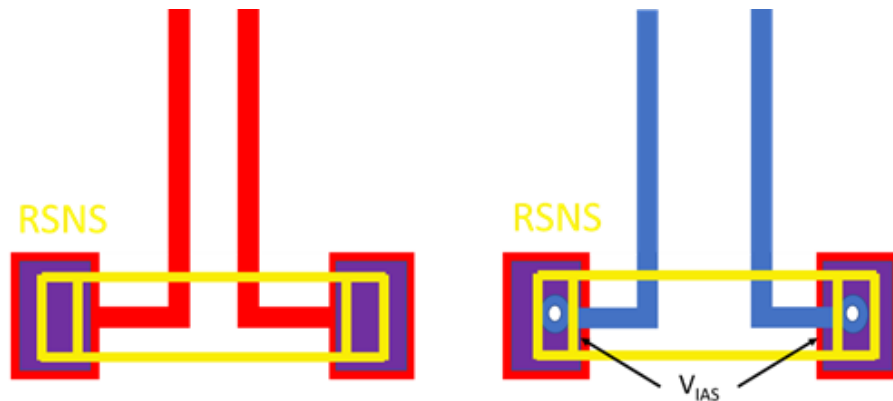
**High-side driver supply**

V<sub>DRIVEH</sub> is generated by an internal LDO. Place a decoupling capacitor very close. Use good capacitor layout techniques. Do not route the V<sub>ref</sub> trace near noisy traces or planes.

**Current sensing**

With small value sense resistors, trace resistance shared with the load can cause significant errors. It is recommended to connect the sense resistor pads directly to the ISNS+ and ISNS- pins using “Kelvin” or “4-wire” connection techniques as shown in Figure 43. RSNS Kelvin connection (sx sense in the same layer, at dx with vias top to bottom). Run two dedicated traces with decent width in parallel (close to each other to minimize the loop area) from the two terminals of the current-sensing resistor to the IC. Place in the differential mode and avoid sense lines pass through noisy areas, such as switch nodes.

**Figure 43. RSNS Kelvin connection (sx sense in the same layer, at dx with vias top to bottom)**

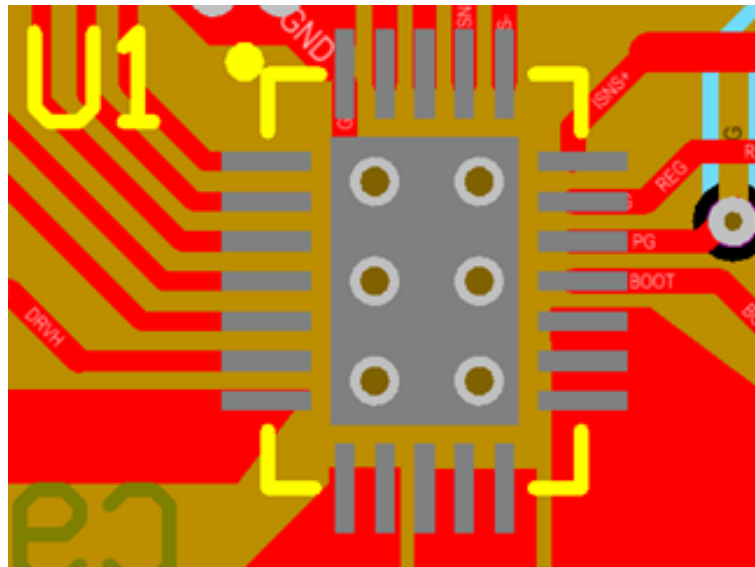


The ISNS+ and ISNS- pins tolerate a DC voltage of -0.3 V with respect to GND. If VISNS+ and VISNS- pins are forecasted to go below the DC value for short AC pulses, the source current must be limited to a max. of 10 mA.

**Thermal aspects**

The STPD01 power dissipation inside the IC is mainly due to the DC-DC integrated MOSFET power loss. The heat generated due to this power dissipation level requires a suitable heatsink to keep the junction temperature below the overtemperature protection threshold at the rated ambient temperature. Try, where possible, to increase the number of power planes connected, at least below the IC position, to improve the heat dissipation. However, different layouts are also possible. Basic principles suggest keeping the IC and its ground exposed pad approximately in the middle of the dissipating area; to provide as many vias as possible; to design a dissipating area having a shape as square as possible and not interrupted by other copper traces.



**Figure 44. Thermal aspects**


## 9.2 Selecting components for the application

This section provides information to assist in the selection of the most appropriate components for the intended application.

### Output capacitor

The output capacitor is very important to satisfy the output voltage ripple requirement. Using a small inductor value is useful to reduce the size of the coil, but this increases the current ripple. Therefore, to reduce the output voltage ripple a low ESR capacitor is required.

The output voltage ripple ( $V_{OUT\_RIPPLE}$ ), in continuous mode, is:

$$V_{OUT\_RIPPLE} = \Delta I \times \left( C_{OUT\_ESR} + \frac{1}{8 \times C_{OUT} \times F_{SW}} \right) \quad (3)$$

where  $\Delta I$  is the ripple current and  $F_{SW}$  is the switching frequency.

### Inductor

The inductor value is very important because it fixes the ripple current flowing through the output capacitor. The ripple current is usually fixed at 20-40% of  $I_{out\_max}$ , which is 0.6-1.2 A with  $I_{out\_max} = 3$  A. The approximate inductor value is obtained using the following formula:

$$L = \frac{(V_{IN} - V_{OUT})}{\Delta I} \times T_{ON} \quad (4)$$

where  $T_{ON}$  is the ON time of the internal switch, given by  $D \cdot T$ .

For example, with  $V_{OUT} = 5$  V,  $V_{IN} = 24$  V,  $F_{SW} = 500$  kHz and  $\Delta I_{OUT} = 0.8$  A, the inductor value is around 10  $\mu$ H.

The peak current through the inductor is given by:

$$I_{PK} = I_{OUT} + \frac{\Delta I}{2} \quad (5)$$

It can be observed that if the inductor value decreases, the peak current (which must be lower than the current limit of the device) increases. So, for fixed peak current protection, a higher value of the inductor allows a higher value for the output current.

### Thermal considerations

The dissipated power of the device is given by three separate factors:

- Switching losses due to the  $R_{DS(on)}$ . These are equal to:

$$P_{HS} = R_{DS(on)} I_{OUT}^2 D \quad (6)$$

and

$$P_{LS} = R_{DS(on)} I_{OUT}^2 (1 - D) \quad (7)$$

where D is the duty cycle of the application.

*Note:* The duty cycle is theoretically given by the ratio between V<sub>OUT</sub> and V<sub>IN</sub>, but in practice it is significantly higher than this value to compensate for the losses of the whole application. For this reason, the switching losses related to the R<sub>DS(on)</sub> increase compared to an ideal case.

- On and OFF switching losses. These are given by the following relation:

$$P_{SW} = V_{IN} I_{OUT} \frac{(T_{rise} + T_{fall})}{2} F_{SW} \quad (8)$$

where T<sub>rise</sub> and T<sub>fall</sub> are the overlap times of the voltage across the power switch and the current flowing into it during the turn-on and turn-off phases.

- Quiescent current losses:

$$P_Q = V_{IN} \times I_{IN} \quad (9)$$

where I<sub>N</sub> is the supply current.

$$P_{TOT} = P_Q + P_{SW} + P_{HS} + P_{LS} \quad (10)$$

The junction temperature of the device is:

$$T_J = T_A + R_{thJ-A} \cdot P_{TOT} \quad (11)$$

where T<sub>A</sub> is the ambient temperature and R<sub>thJ-A</sub> is the junction to ambient thermal resistance.

Considering that the device, mounted on the board with a good ground plane, has a thermal resistance junction to ambient (R<sub>thJ-A</sub>) of about 31 °C/W.

It is also possible to estimate the junction temperature directly from the efficiency measures acquired on a stationary application condition.

Considering that the power losses are given by:

$$P_{LOSS} = P_{IN} - P_{OUT} \quad (12)$$

Neglecting the AC losses of the selected inductor, the power losses are given by:

$$P_{LOSS} = V_{IN} \cdot I_{IN} - V_{OUT} \cdot I_{OUT} - DCR1 \cdot I_{OUT} \quad (13)$$

Therefore, the junction temperature T<sub>J</sub> can be calculated as:

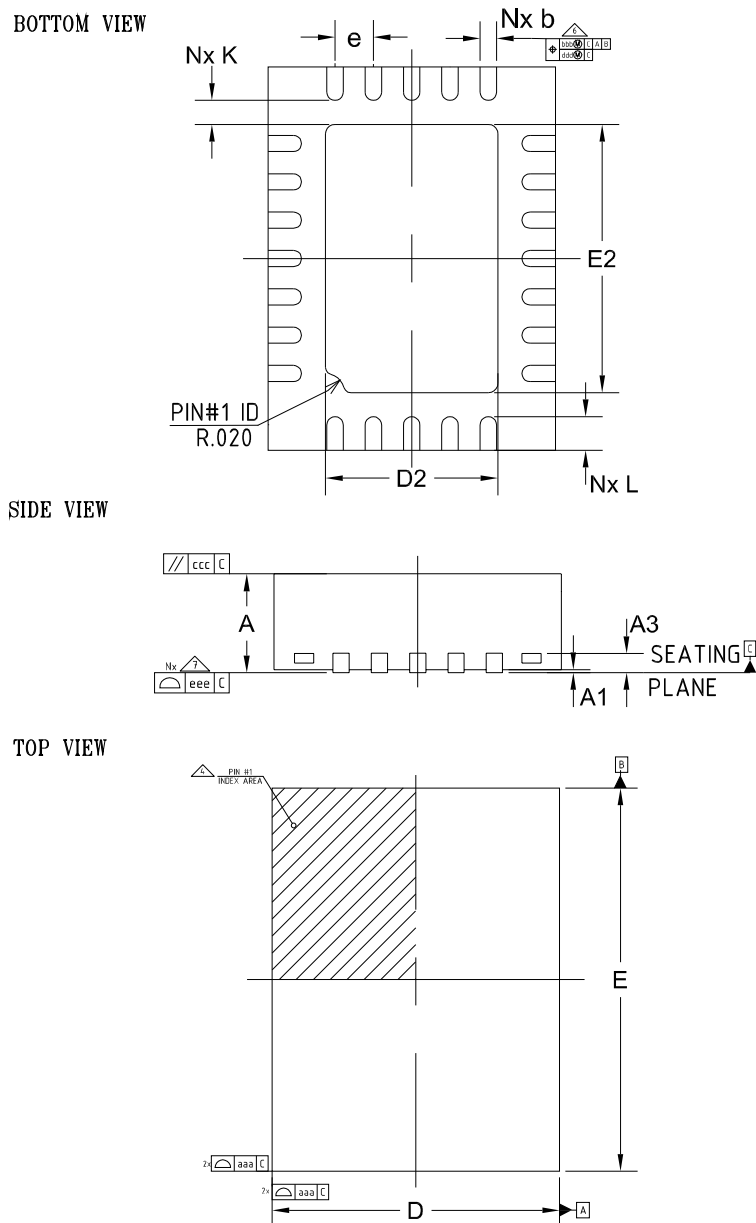
$$T_J = T_A + R_{thJA} \cdot P_{LOSS} \quad (14)$$

## 10 Package information

In order to meet environmental requirements, ST offers these devices in different grades of **ECOPACK** packages, depending on their level of environmental compliance. ECOPACK specifications, grade definitions and product status are available at: [www.st.com](http://www.st.com). ECOPACK is an ST trademark.

### 10.1 QFN24L (3 x 4 x 1.0 mm) package information

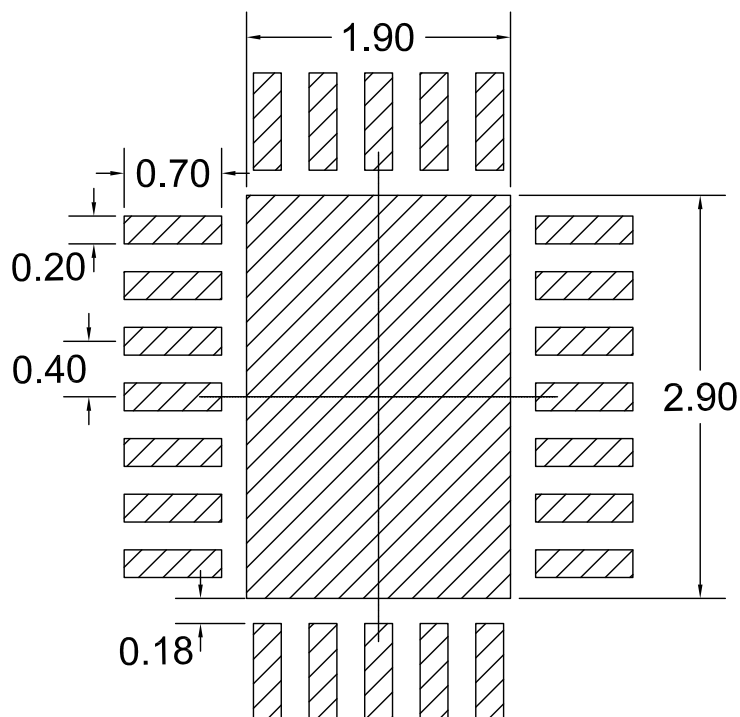
Figure 45. QFN24L (3 x 4 x 1.0 mm) package outline



**Table 15. QFN24L (3 x 4 x 1.0 mm) mechanical data**

Symbol	mm		
	Min.	Typ.	Max.
A	0.80	0.90	1.00
A1	0.00	0.02	0.05
A3	0.20 REF.		
b	0.15	0.20	0.25
D	3.00 BSC		
E	4.00 BSC		
e	0.40 BSC		
D2	1.65	1.80	1.90
E2	2.65	2.80	2.90
K	0.15		
L	0.25	0.35	0.45
N	24		

*Note:* N is the total number of terminals. Dimension b applies to metallized terminal. If the terminal has a radius on its end dimension b should not be measured in that radius area.

**Figure 46. QFN24L (3 x 4 x 1.0 mm) recommended footprint**


## Revision history

**Table 16. Document revision history**

Date	Version	Changes
02-Oct-2020	1	Initial release.
07-Apr-2021	2	Updated: DC and Cable drop values in Table 6, VAUX in Table 9 and Figure 45.
06-May-2021	3	Updated Table 6. Electrical characteristics and Figure 7. System $P_{Loss}$ ( $V_{in} = V_{cc} = 24\text{ V}$ , $CC = 0x1F$ , $F_{sw} = 750\text{ kHz}$ )
16-Jun-2022	4	Updated Table 8. Protections

## Contents

<b>1</b>	<b>Application schematic</b>	<b>2</b>
<b>2</b>	<b>Pin configuration (top through view)</b>	<b>3</b>
<b>3</b>	<b>Maximum ratings</b>	<b>5</b>
<b>4</b>	<b>Electrical characteristics</b>	<b>6</b>
<b>5</b>	<b>Block diagram</b>	<b>8</b>
<b>6</b>	<b>Typical performance characteristics</b>	<b>9</b>
<b>7</b>	<b>Operation description</b>	<b>17</b>
7.1	Enable	17
7.1.1	Digital enable	17
7.2	Cable drop compensation	17
7.2.1	Output current monitor	18
7.3	Auto discharge	18
7.4	Power-on	18
7.5	Vout transition	19
7.6	Clock dithering	20
7.7	Programmable watchdog	20
7.8	Protections	20
7.8.1	Overvoltage protection	21
7.9	Interrupt functionality	21
7.10	Switching frequency	21
7.11	Pulse skip	22
7.12	Bus timing	22
7.12.1	Read and write commands	23
7.12.2	I <sup>2</sup> C address selection	23
<b>8</b>	<b>Control register description</b>	<b>25</b>
8.1	Register map	25
8.2	Register description	26
8.2.1	Register 0x00	26
8.2.2	Register 0x01	28
8.2.3	Interrupt registers: 0x02, 0x03, 0x04	28
8.2.4	Register 0x05	29
8.2.5	Register 0x06	29
<b>9</b>	<b>Application notes</b>	<b>30</b>
9.1	Board layout guidelines	30

---

9.2	Selecting components for the application.....	33
<b>10</b>	<b>Package information.....</b>	<b>35</b>
10.1	QFN24L (3 x 4 x 1.0 mm) package information.....	35
	<b>Revision history .....</b>	<b>37</b>

## List of tables

<b>Table 1.</b>	Bill of material . . . . .	2
<b>Table 2.</b>	Pin description . . . . .	3
<b>Table 3.</b>	Absolute maximum ratings . . . . .	5
<b>Table 4.</b>	Thermal data . . . . .	5
<b>Table 5.</b>	Recommended operating conditions . . . . .	6
<b>Table 6.</b>	Electrical characteristics . . . . .	6
<b>Table 7.</b>	Functional modes . . . . .	17
<b>Table 8.</b>	Protections . . . . .	20
<b>Table 9.</b>	I <sup>2</sup> C address configuration . . . . .	24
<b>Table 10.</b>	Configuration bits . . . . .	25
<b>Table 11.</b>	Register map summary . . . . .	25
<b>Table 12.</b>	0x00 register description . . . . .	26
<b>Table 13.</b>	0x01 register description . . . . .	28
<b>Table 14.</b>	Interrupt register description . . . . .	28
<b>Table 15.</b>	QFN24L (3 x 4 x 1.0 mm) mechanical data . . . . .	36
<b>Table 16.</b>	Document revision history . . . . .	37



## List of figures

<b>Figure 1.</b>	STPD01 typical application schematic . . . . .	2
<b>Figure 2.</b>	Pin configuration (top through view) . . . . .	3
<b>Figure 3.</b>	STPD01 block diagram . . . . .	8
<b>Figure 4.</b>	Efficiency (Vin = Vcc = 24 V, CC = 0x1F, Fsw = 500kHz) . . . . .	9
<b>Figure 5.</b>	System P <sub>LOSS</sub> (Vin = Vcc = 24 V, CC = 0x1F, Fsw = 500 kHz) . . . . .	9
<b>Figure 6.</b>	Efficiency (Vin = Vcc = 24 V, CC = 0x1F, Fsw = 750 kHz) . . . . .	9
<b>Figure 7.</b>	System P <sub>LOSS</sub> (Vin = Vcc = 24 V, CC = 0x1F, Fsw = 750 kHz) . . . . .	10
<b>Figure 8.</b>	VOUT vs. load (Vin = VCC = 24 V, Vout = 0x64 (5 V), CC = 0x1F) . . . . .	10
<b>Figure 9.</b>	VOUT vs. load (Vin = VCC = 24 V, Vout = 0xB0 (9 V), CC = 0x1F) . . . . .	10
<b>Figure 10.</b>	VOUT vs. load (Vin = VCC = 24 V, Vout = 0xD8 (15 V), CC = 0x1F) . . . . .	11
<b>Figure 11.</b>	VOUT vs. load (Vin = VCC = 24 V, Vout = 0xF1 (20 V), CC = 0x1F) . . . . .	11
<b>Figure 12.</b>	VOUT vs. load, with cable drop compensation on (Vin = VCC = 24 V, Vout = 0x64 (5 V), CC = 0x1F, R <sub>cdc2</sub> = 24 kΩ, F <sub>sw</sub> = 500 kHz) . . . . .	11
<b>Figure 13.</b>	VCDC vs. load (Vin = VCC = 24 V, Vout = 0x64 (5 V), CC = 0x1F, R <sub>cdc2</sub> = 24 kΩ, F <sub>sw</sub> = 500 kHz) . . . . .	12
<b>Figure 14.</b>	VOUT vs. load, with cable drop compensation on (Vin = VCC = 24 V, Vout = 0x64 (5 V), CC = 0x1F, R <sub>cdc2</sub> = 6.8 kΩ, F <sub>sw</sub> = 500 kHz) . . . . .	12
<b>Figure 15.</b>	VCDC vs. load (Vin = VCC = 24 V, Vout = 0x64 (5 V), CC = 0x1F, R <sub>cdc2</sub> = 6.8 kΩ, F <sub>sw</sub> = 500 kHz) . . . . .	12
<b>Figure 16.</b>	VOUT vs. load, with cable drop compensation on (Vin = VCC = 24 V, Vout = 0xF1 (20 V), CC = 0x1F, R <sub>cdc2</sub> = 24 kΩ, F <sub>sw</sub> = 500 kHz) . . . . .	13
<b>Figure 17.</b>	VCDC vs. load (Vin = VCC = 24 V, Vout = 0xF1 (20 V), CC = 0x1F, R <sub>cdc2</sub> = 24 kΩ, F <sub>sw</sub> = 500 kHz) . . . . .	13
<b>Figure 18.</b>	VOUT vs. load, with cable drop compensation on (Vin = VCC = 24 V, Vout = 0xF1 (20 V), CC = 0x1F, R <sub>cdc2</sub> = 6.8 kΩ, F <sub>sw</sub> = 500 kHz) . . . . .	13
<b>Figure 19.</b>	VCDC vs. load (Vin = VCC = 24 V, Vout = 0xF1 (20 V), CC = 0x1F, R <sub>cdc2</sub> = 6.8 kΩ, F <sub>sw</sub> = 500 kHz) . . . . .	14
<b>Figure 20.</b>	VOUT transition (Vin = VCC = 24 V, Vout = 0x64 (5 V) to 0xB0 (9 V), CC = 0x1F, load = 500 mA, Fsw = 500 kHz) . . . . .	14
<b>Figure 21.</b>	VOUT transition (Vin = VCC = 24 V, Vout = 0xB0 (9 V) to 0x64 (5 V), CC = 0x1F, load = 500 mA, F <sub>sw</sub> = 500 kHz) . . . . .	14
<b>Figure 22.</b>	VOUT transition (Vin = VCC = 24 V, Vout = 0x64 (5 V) to 0xD8 (15 V), CC = 0x1F, load = 500 mA, F <sub>sw</sub> = 500 kHz) . . . . .	14
<b>Figure 23.</b>	VOUT transition (Vin = VCC = 24 V, Vout = 0xD8 (15 V) to 0x64 (5 V), CC = 0x1F, load = 500 mA, F <sub>sw</sub> = 500 kHz) . . . . .	14
<b>Figure 24.</b>	VOUT transition (Vin = VCC = 24 V, Vout = 0x64 (5 V) to 0xF1 (20 V), CC = 0x1F, load = 500 mA, F <sub>sw</sub> = 500 kHz) . . . . .	15
<b>Figure 25.</b>	VOUT transition (Vin = VCC = 24 V, Vout = 0xF1 (20 V) to 0x64 (5 V), CC = 0x1F, load = 500 mA, F <sub>sw</sub> = 500 kHz) . . . . .	15
<b>Figure 26.</b>	VOUT transition (Vin = VCC = 24 V, Vout = 0x00 (3 V) to 0x64 (5 V) to 0xF1 (20 V), CC = 0x1F, load = 500 mA, F <sub>sw</sub> = 500 kHz) . . . . .	15
<b>Figure 27.</b>	VOUT transition (Vin = VCC = 24 V, Vout = 0xF1 (20 V) to 0x64 (5 V) to 0x00 (3 V), CC = 0x1F, load = 500 mA, F <sub>sw</sub> = 500 kHz) . . . . .	15
<b>Figure 28.</b>	Enable startup (Vin = VCC = 24 V, Vout = 0x64 (5 V), no load) . . . . .	15
<b>Figure 29.</b>	Enable shutdown (Vin = VCC = 24 V, Vout = 0x64 (5 V), no load) . . . . .	15
<b>Figure 30.</b>	Digit enable startup (Vin = VCC = 24 V, Vout = 0x64 (5 V), no load) . . . . .	16
<b>Figure 31.</b>	Digit enable shutdown (Vin = VCC = 24 V, Vout = 0x64 (5 V), no load) . . . . .	16
<b>Figure 32.</b>	Cable drop configuration . . . . .	18
<b>Figure 33.</b>	Deglitch time . . . . .	19
<b>Figure 34.</b>	Transition envelope for positive voltage transitions . . . . .	19
<b>Figure 35.</b>	Transition envelope for negative voltage transitions . . . . .	19
<b>Figure 36.</b>	Placement of source bulk capacitance . . . . .	20
<b>Figure 37.</b>	Data transfer validity . . . . .	22
<b>Figure 38.</b>	START and STOP commands . . . . .	22
<b>Figure 39.</b>	Write command . . . . .	23
<b>Figure 40.</b>	Read command . . . . .	23

---

<b>Figure 41.</b>	Capacitor placing . . . . .	31
<b>Figure 42.</b>	Inductor placing . . . . .	31
<b>Figure 43.</b>	RSNS Kelvin connection (sx sense in the same layer, at dx with vias top to bottom) . . . . .	32
<b>Figure 44.</b>	Thermal aspects . . . . .	33
<b>Figure 45.</b>	QFN24L (3 x 4 x 1.0 mm) package outline . . . . .	35
<b>Figure 46.</b>	QFN24L (3 x 4 x 1.0 mm) recommended footprint . . . . .	36

**IMPORTANT NOTICE – PLEASE READ CAREFULLY**

STMicroelectronics NV and its subsidiaries (“ST”) reserve the right to make changes, corrections, enhancements, modifications, and improvements to ST products and/or to this document at any time without notice. Purchasers should obtain the latest relevant information on ST products before placing orders. ST products are sold pursuant to ST’s terms and conditions of sale in place at the time of order acknowledgement.

Purchasers are solely responsible for the choice, selection, and use of ST products and ST assumes no liability for application assistance or the design of Purchasers’ products.

No license, express or implied, to any intellectual property right is granted by ST herein.

Resale of ST products with provisions different from the information set forth herein shall void any warranty granted by ST for such product.

ST and the ST logo are trademarks of ST. For additional information about ST trademarks, please refer to [www.st.com/trademarks](http://www.st.com/trademarks). All other product or service names are the property of their respective owners.

Information in this document supersedes and replaces information previously supplied in any prior versions of this document.

© 2020 STMicroelectronics – All rights reserved