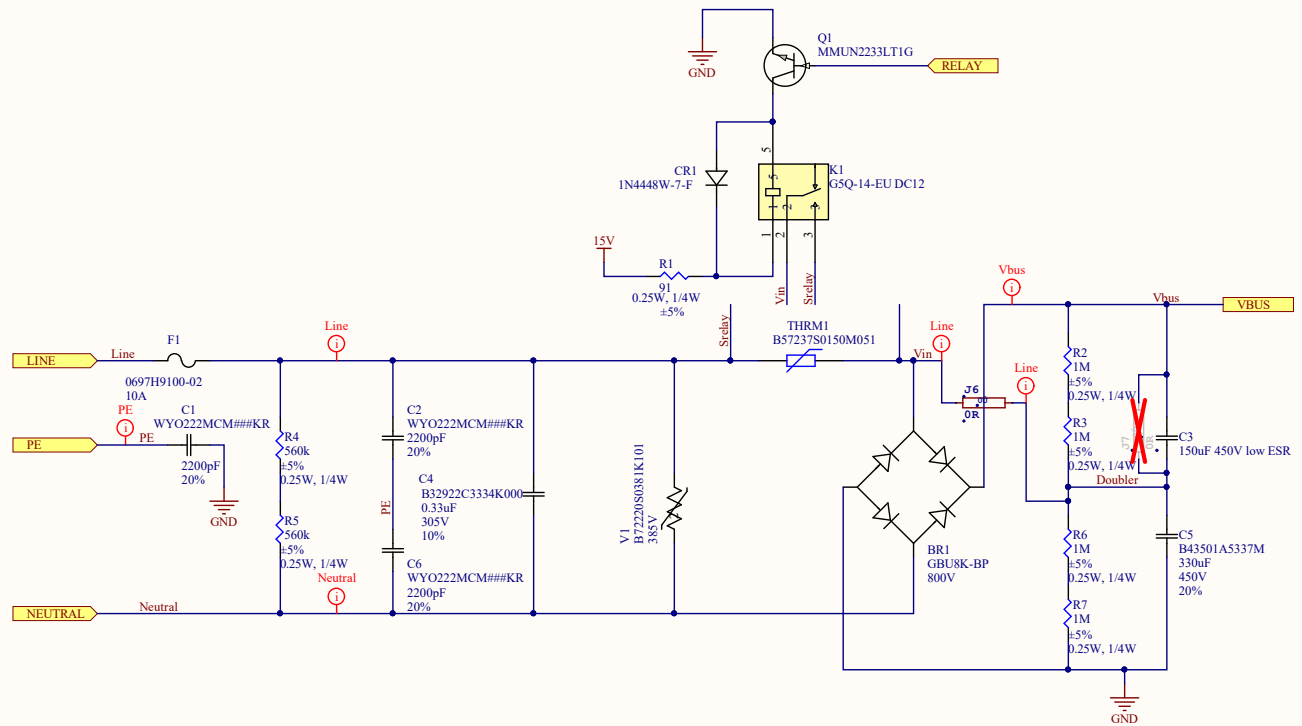
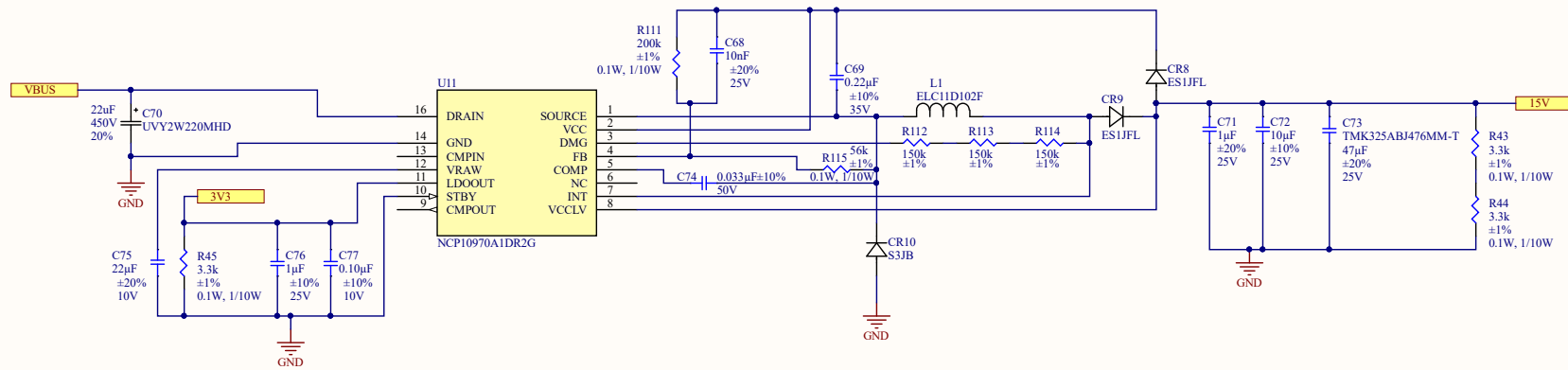


PROJECT NAME: NFM00M00B60XXX-04 EVB		Variant: Variant of Brazos EVB	
PAGE CONTENT: Brazos_Page1.SchDoc			
Size: Size	PART NUMBER: NFM00M00B60XXX-04 EVB	REVISION: V3.1	
DATE: 16/JUL/2021		SHEET: 1 OF 11	

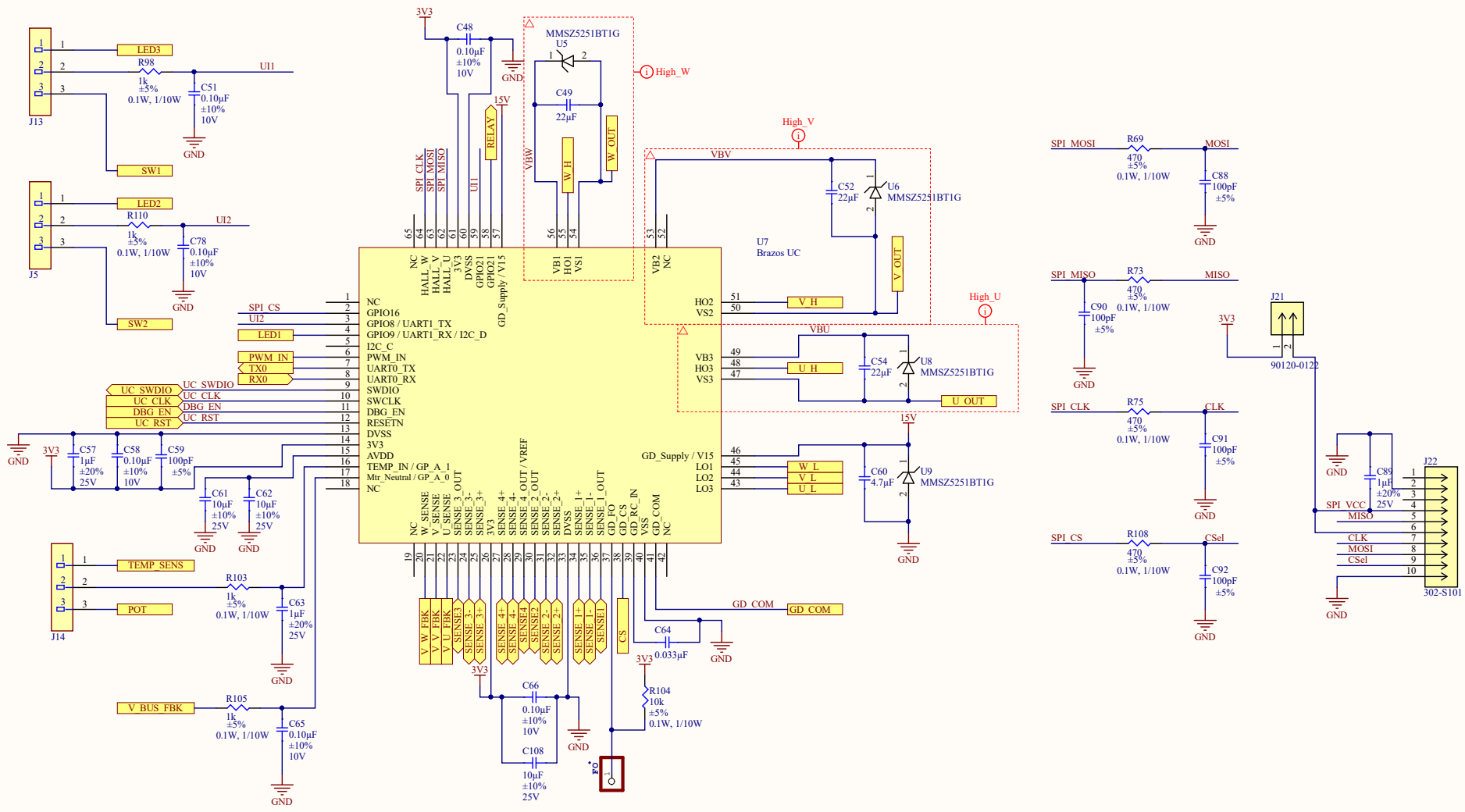


- HS1
6021BG
- M1
50M030050P010
- M2
HTC01K
- M3
MFW030A
- M4
04M030050HN

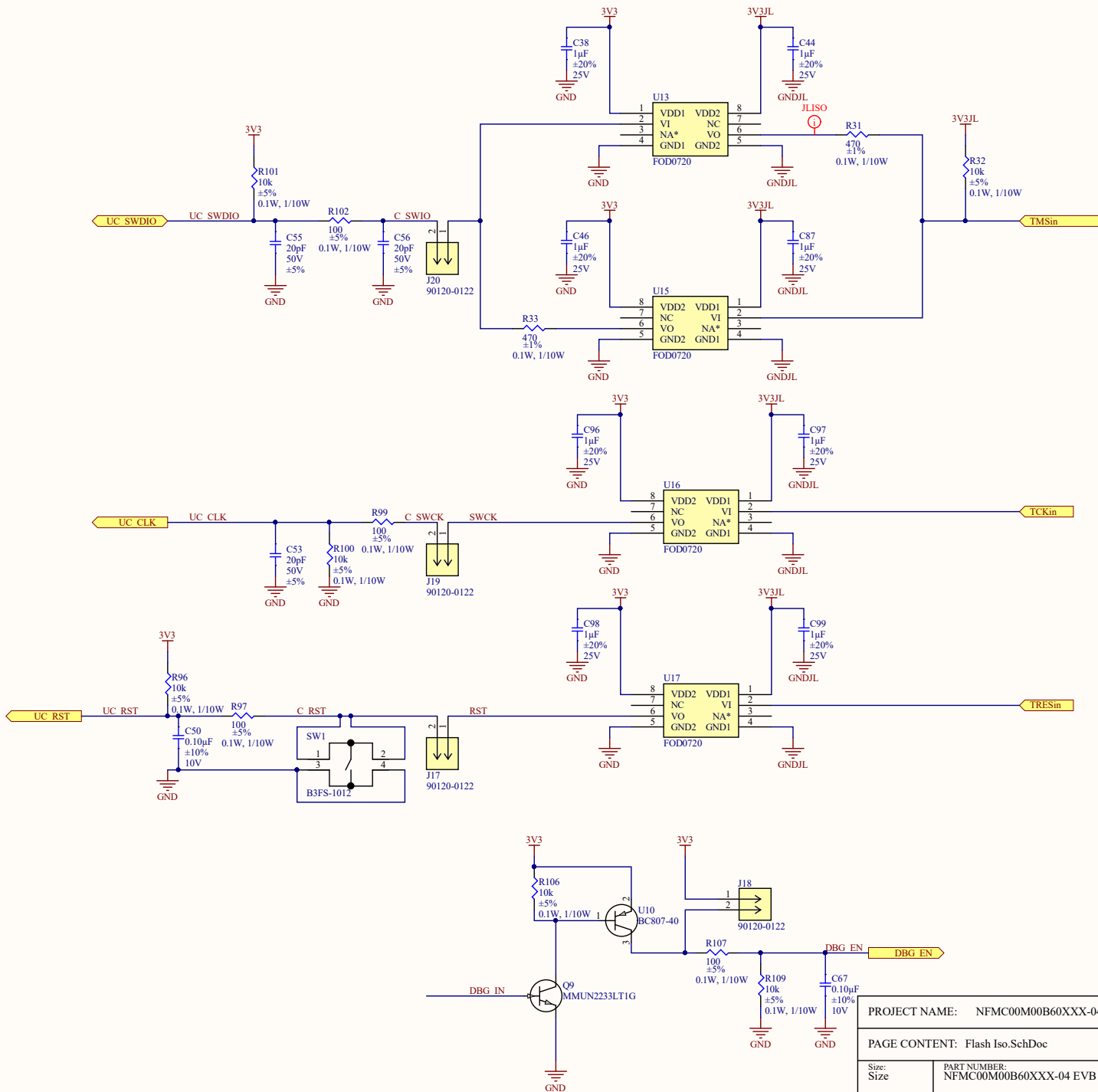
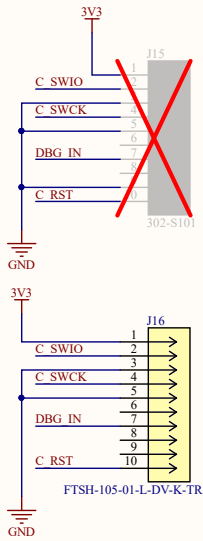
PROJECT NAME: NPMC00M00B60XXX-04 EVB		Variant: Variant of Brazos EVB	
PAGE CONTENT: HVDC.SchDoc			
Size: Size	PART NUMBER: NPMC00M00B60XXX-04 EVB	REVISION: V3.1	
DATE: 16/JUL/2021		SHEET: 2 OF 11	



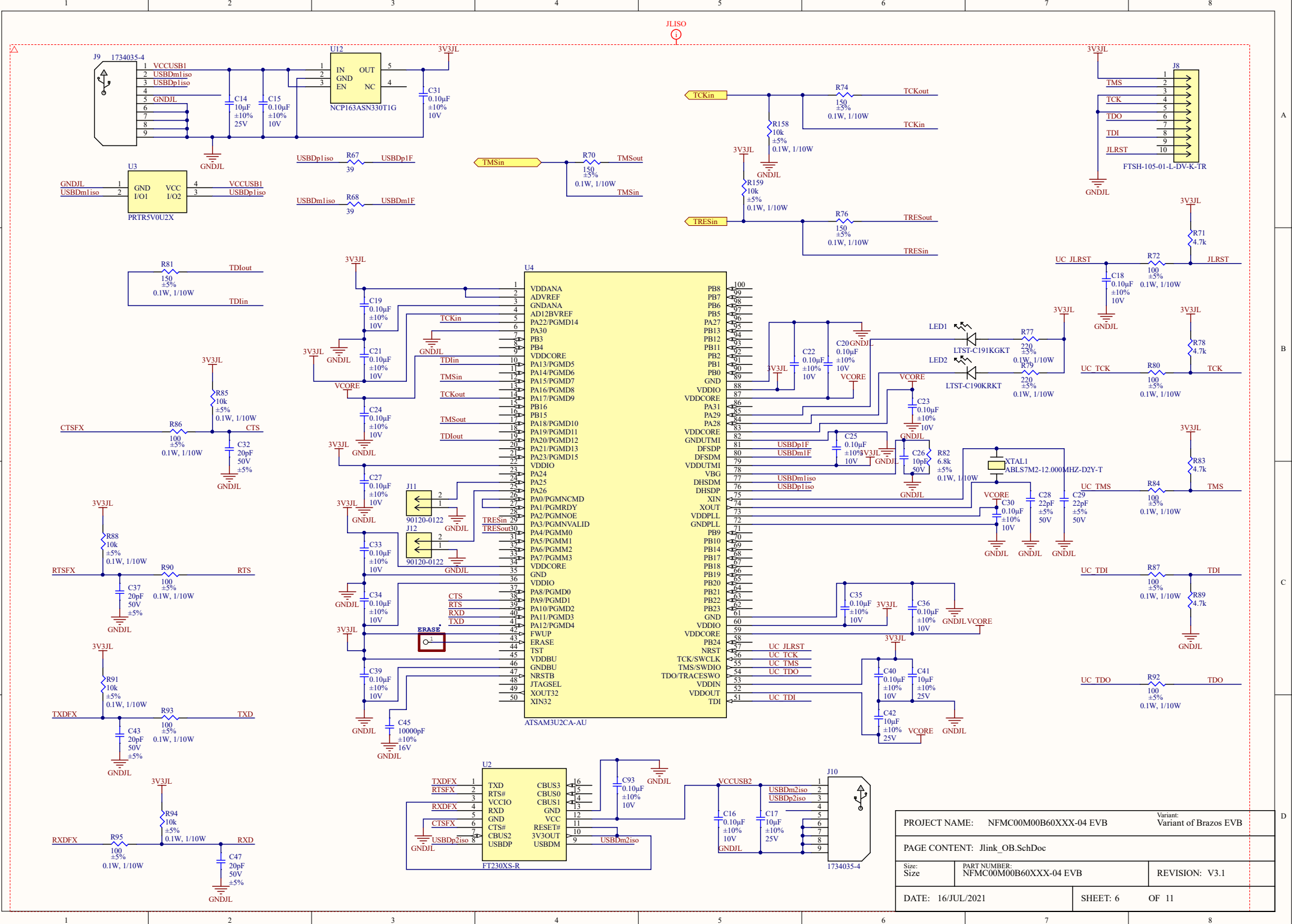
PROJECT NAME: NFCM00M00B60XXX-04 EVB		Variant: Variant of Brazos EVB	
PAGE CONTENT: Power Supply.SchDoc			
Size: Size	PART NUMBER: NFCM00M00B60XXX-04 EVB		REVISION: V3.1
DATE: 16/JUL/2021		SHEET: 3	OF 11



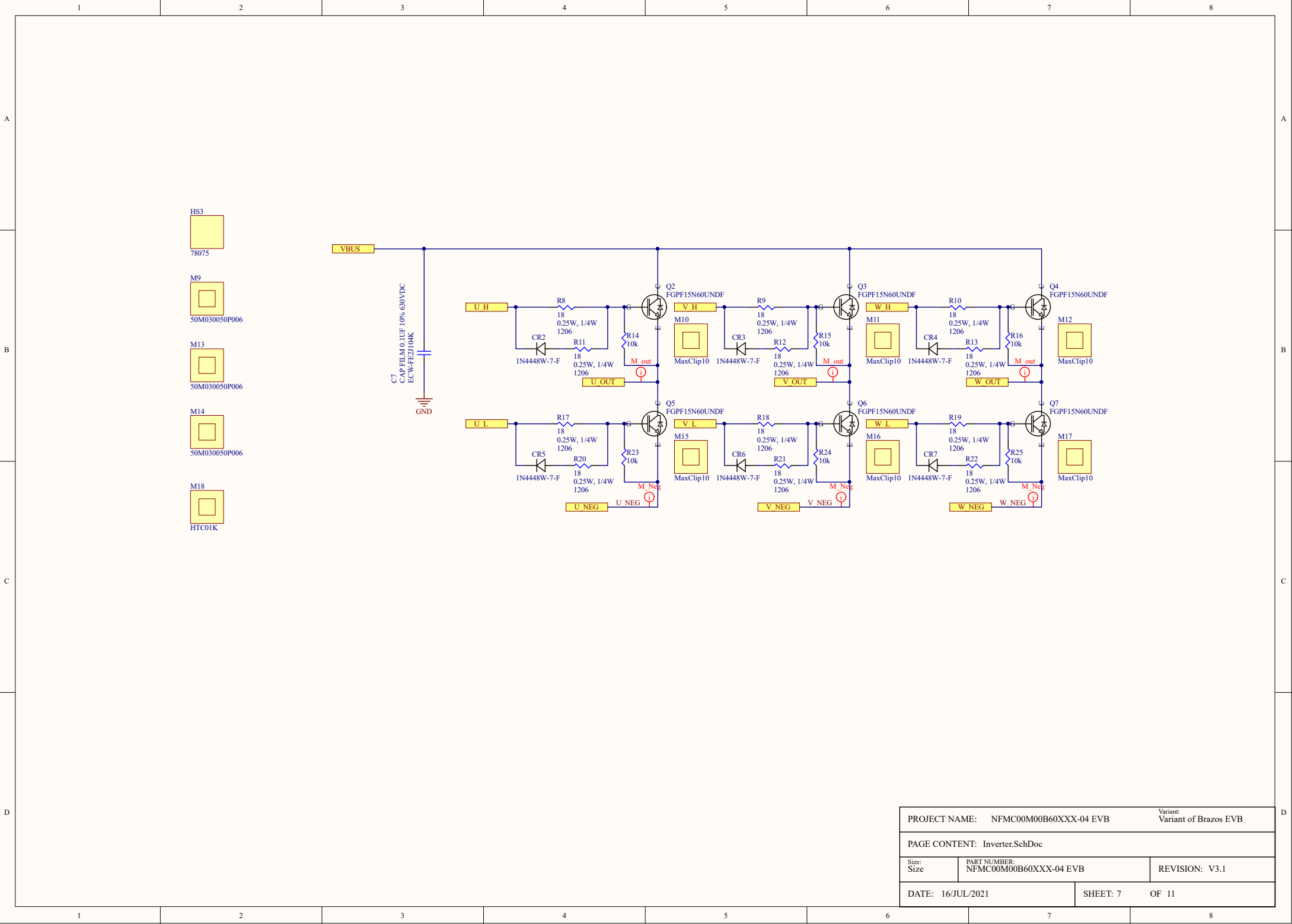
PROJECT NAME: NFM00M00B60XXX-04 EVB		Variant: Variant of Brazos EVB	
PAGE CONTENT: Microcontroller.SchDoc			
Size: Size	PART NUMBER: NFM00M00B60XXX-04 EVB	REVISION: V3.1	
DATE: 16/JUL/2021		SHEET: 4 OF 11	



PROJECT NAME: NFM00M00B60XXX-04 EVB		Variant of Brazos EVB	
PAGE CONTENT: Flash Iso.SchDoc			
Size:	PART NUMBER: NFM00M00B60XXX-04 EVB		REVISION: V3.1
Size:			
DATE: 16/JUL/2021		SHEET: 5 OF 11	

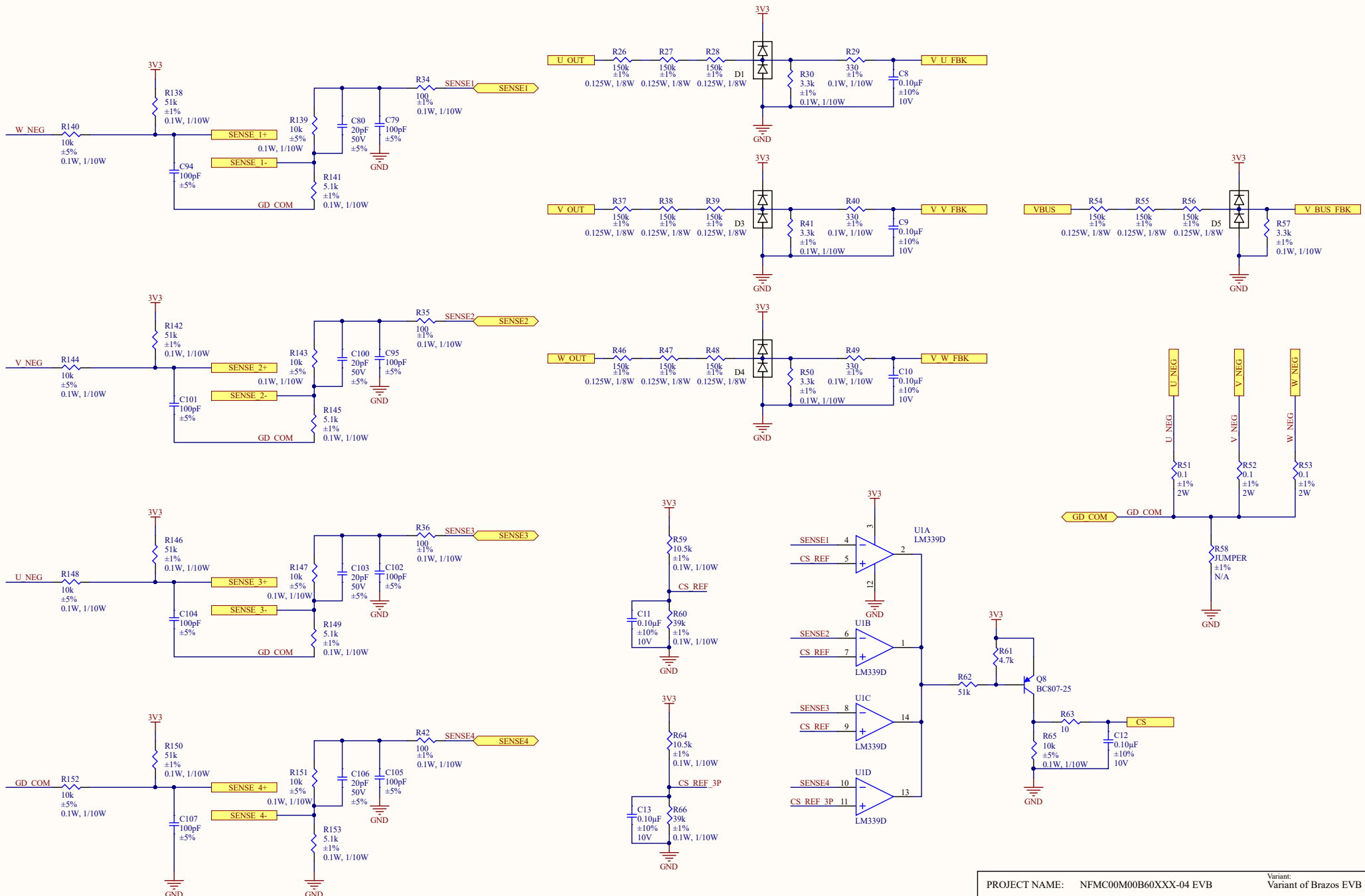


PROJECT NAME: NFM00M00B60XXX-04 EVB		Variant: Variant of Brazos EVB
PAGE CONTENT: Jlink_OB.SchDoc		
Size: Size	PART NUMBER: NFM00M00B60XXX-04 EVB	REVISION: V3.1
DATE: 16/JUL/2021	SHEET: 6	OF 11

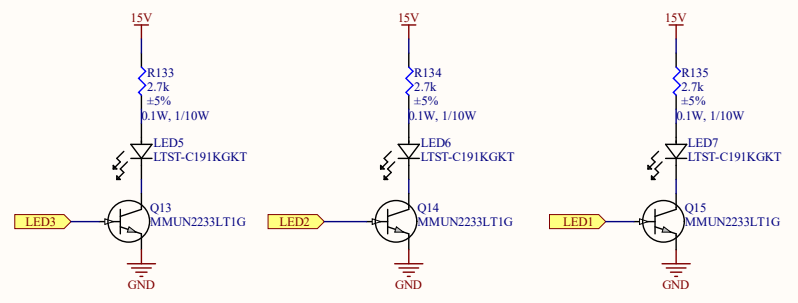
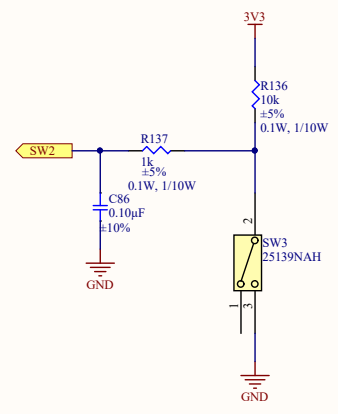
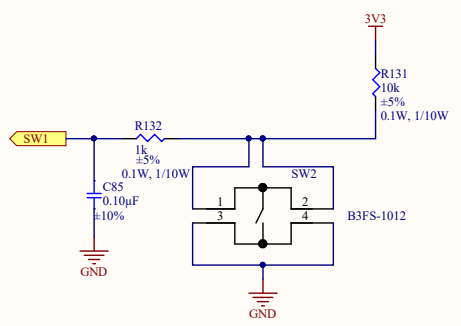
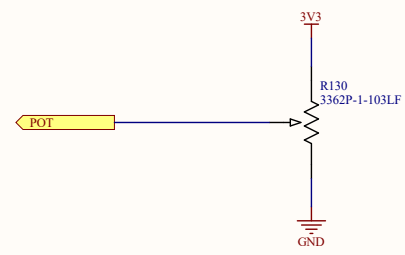
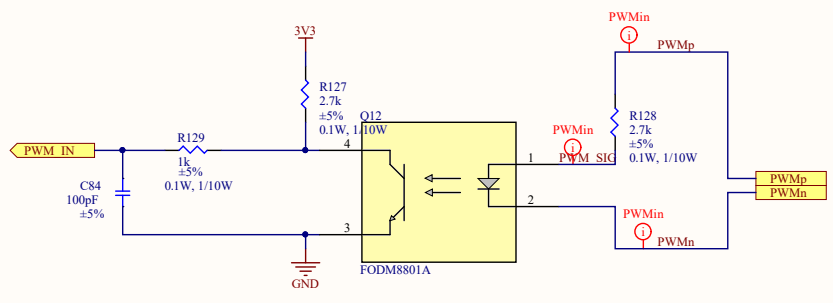


- HS3
78075
- M9
50M030050P006
- M13
50M030050P006
- M14
50M030050P006
- M18
HTC01K

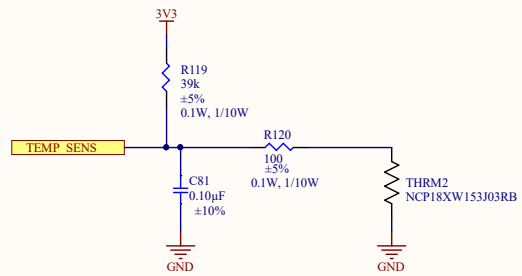
PROJECT NAME: NFMC00M00B60XXX-04 EVB		Variant: Variant of Brazos EVB	
PAGE CONTENT: Inverter.SchDoc			
Size: Size	PART NUMBER: NFMC00M00B60XXX-04 EVB	REVISION: V3.1	
DATE: 16/JUL/2021		SHEET: 7	OF 11



PROJECT NAME: NFM00M00B60XXX-04 EVB		Variant: Variant of Brazos EVB	
PAGE CONTENT: Inverter feedbacks.SchDoc			
Size: Size	PART NUMBER: NFM00M00B60XXX-04 EVB		REVISION: V3.1
DATE: 16/JUL/2021		SHEET: 8	OF 11



PROJECT NAME: NFMC00M00B60XXX-04 EVB		Variant: Variant of Brazos EVB
PAGE CONTENT: User interfaces.SchDoc		
Size: Size	PART NUMBER: NFMC00M00B60XXX-04 EVB	REVISION: V3.1
DATE: 16/JUL/2021	SHEET: 10	OF 11



PROJECT NAME: NFM00M00B60XXX-04 EVB		Variant: Variant of Brazos EVB
PAGE CONTENT: Sensors.SchDoc		
Size: Size	PART NUMBER: NFM00M00B60XXX-04 EVB	REVISION: V3.1
DATE: 16/JUL/2021	SHEET: 11	OF 11