

THIS DRAWING IS UNPUBLISHED. RELEASED FOR PUBLICATION
 © COPYRIGHT copyright.d8te- ALL RIGHTS RESERVED.

| REVISIONS | | | | |
|-----------|-----|----------------------------|-----------|---------|
| P | LTR | DESCRIPTION | DATE | APVD |
| B | | ECR-16-010100, UPDATE NAME | 14JUL2016 | L.Z X.X |
| C | | ECR-19-009136 | 12JUL2019 | C.D C.W |

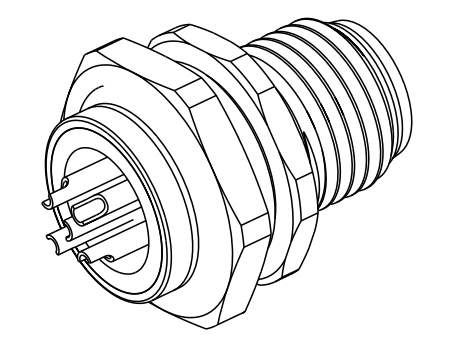
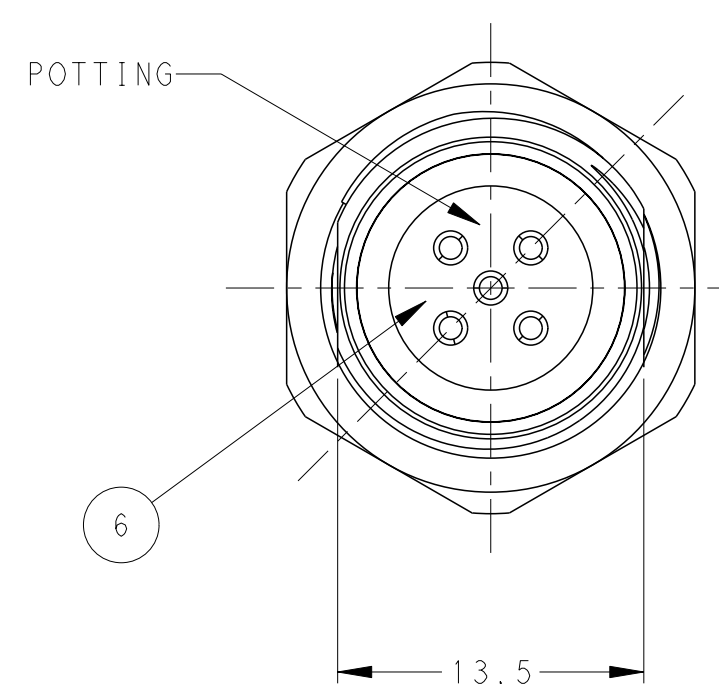
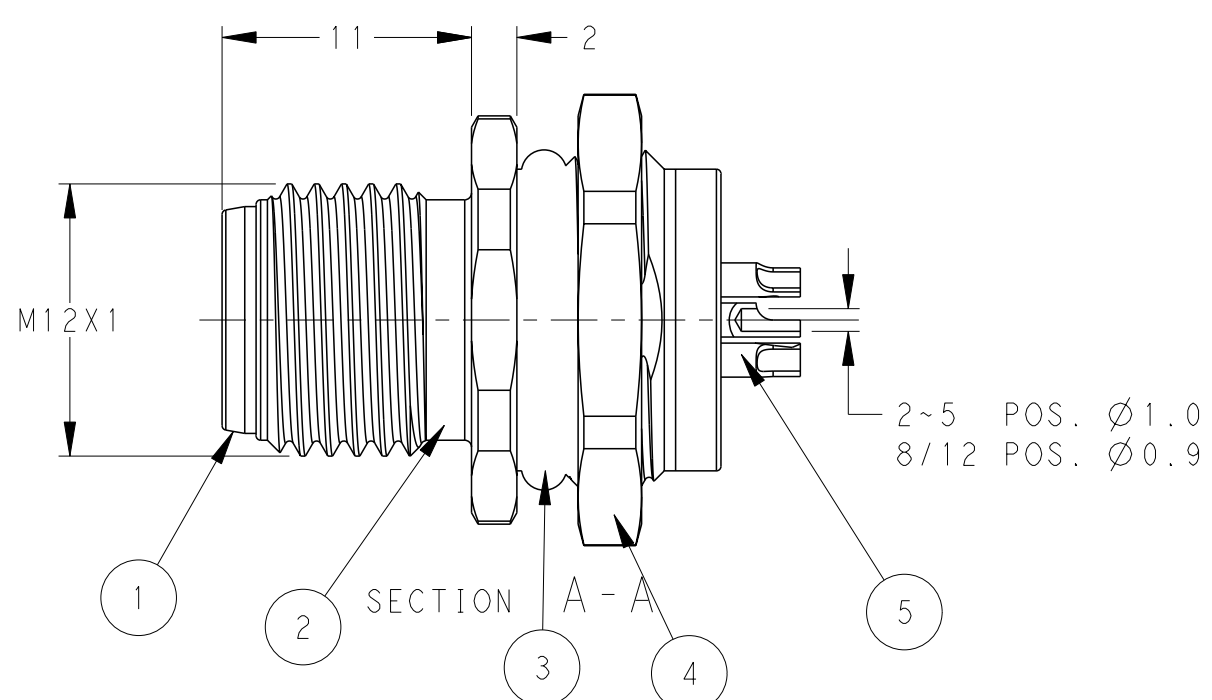
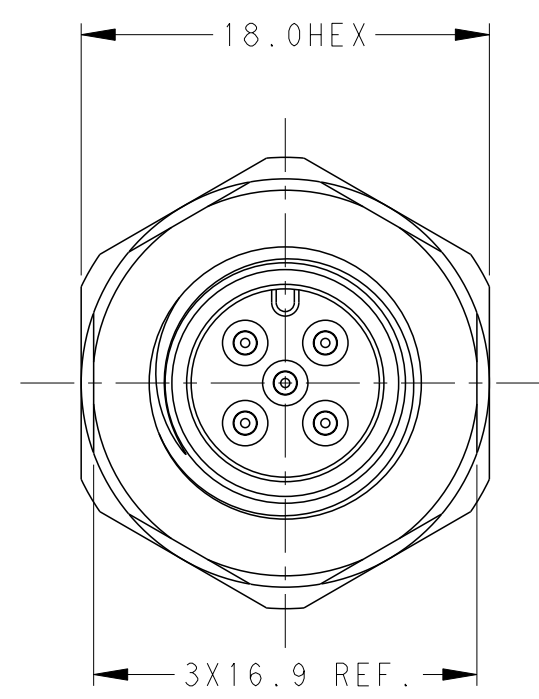


TABLE 1

| TECHNICAL DATA | T4132012021-000 | T4132012031-000 | T4132012041-000 | T4132012051-000 |
|-----------------------|-----------------|-----------------|-----------------|-----------------|
| RATED VOLTAGE | 250V | 250V | 250V | 60V |
| RATED CURRENT | 4A | 4A | 4A | 4A |
| POLLUTION DEGREE | 3 | 3 | 3 | 3 |
| OVERVOLTAGE CATEGORY | II | II | II | II |
| MATERIAL GROUP | II | II | II | II |
| CONTACT RESISTANCE | <=10mΩ | <=10mΩ | <=10mΩ | <=10mΩ |
| INSULATION RESISTANCE | >100MΩ | >100MΩ | >100MΩ | >100MΩ |
| DEGREE OF PROTECTION | IP67 | IP67 | IP67 | IP67 |
| OPERATION TEMPEATURE | -40-85°C | -40-85°C | -40-85°C | -40-85°C |

NOTE:
 1. TECHNICAL DATA: SEE TABLE 1
 2. RECOMMENDED MOUNT PANEL SEE DETAIL
 3. PACKAGING: 1 PIECE IN A BAG
 4. ALL DIMENSIONS ARE FOR NOMINAL REFERENCE ONLY UNLESS OTHERWISE STATED

注释:
 1. 技术参数, 见表1
 2. 推荐开孔尺寸详见如图所示
 3. 包装: 1PCS/袋
 4. 所有尺寸仅供参考, 除非另有说明

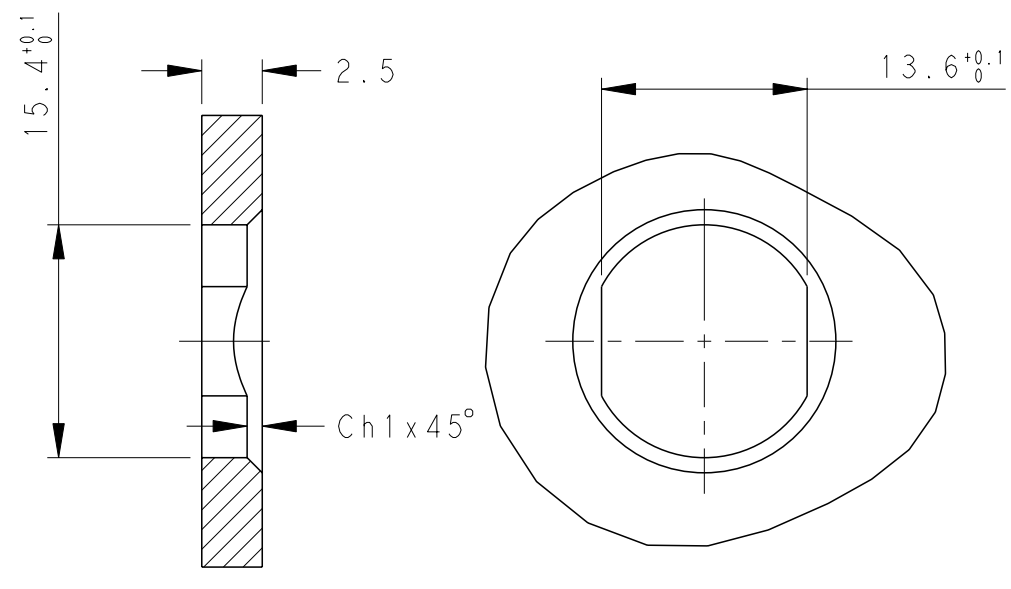
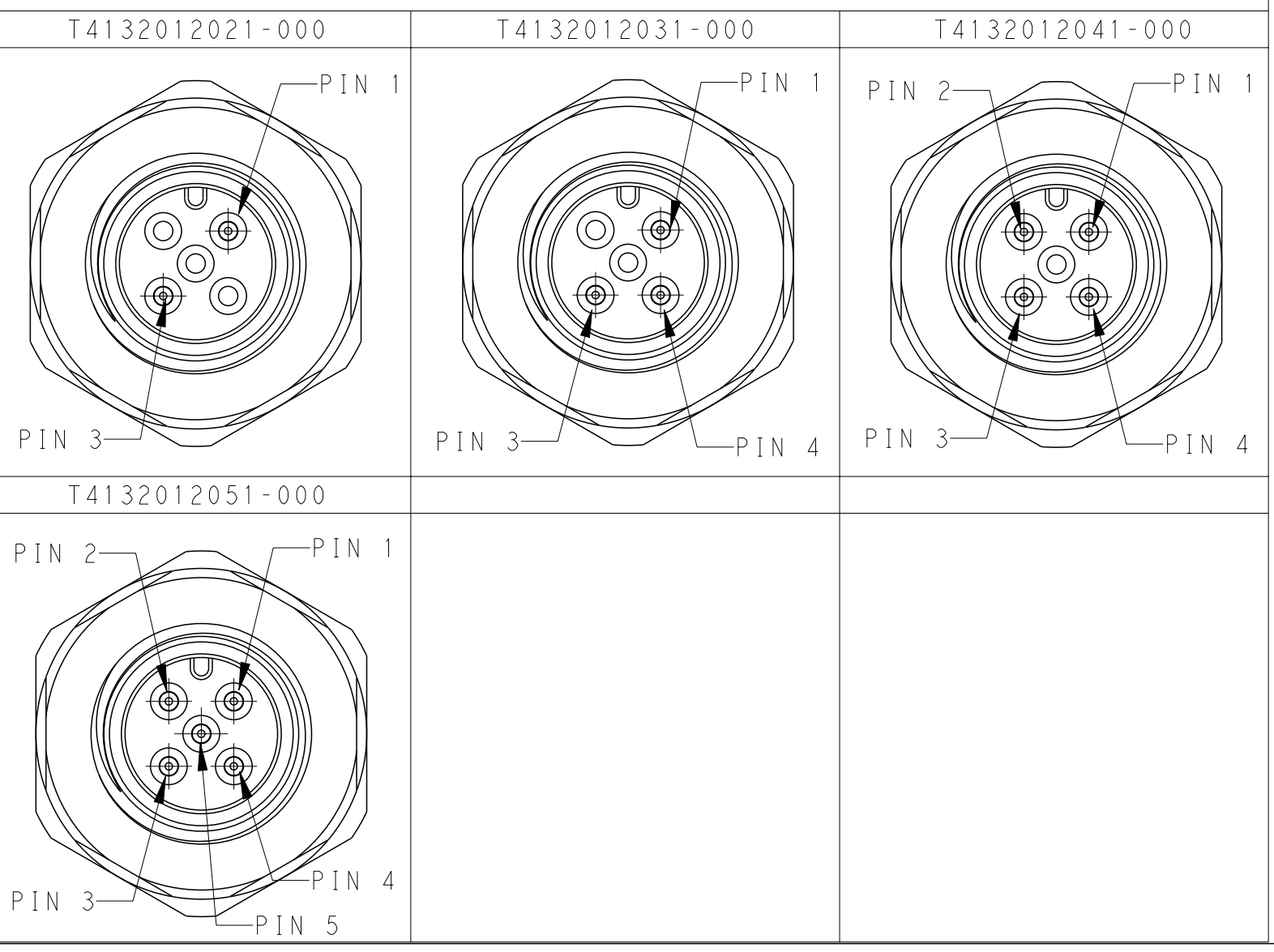
T41320120X1-000

CONTACT FINISH:
 1: GOLD 3u''
 NUMBER OF PINS:
 02: 2 PINS
 03: 3 PINS
 04: 4 PINS
 05: 5 PINS

T41320120X1-000

端子电镀:
 1: 3u''金
 针数:
 02: 2 针
 03: 3 针
 04: 4 针
 05: 5 针

PIN ARRANGEMENT A-CODE



RECOMMENDED PANEL CUTOUT

| TE PN | TYPE |
|-----------------|-------------------------|
| T4132012021-000 | RPC-M12-MB-2CON-PG9-LAU |
| T4132012031-000 | RPC-M12-MB-3CON-PG9-LAU |
| T4132012041-000 | RPC-M12-MB-4CON-PG9-LAU |
| T4132012051-000 | RPC-M12-MB-5CON-PG9-LAU |

| PLATING | MATERIAL | DESCRIPTION | ITEM |
|---------------|--------------|-----------------------|-----------|
| - | EPOXY RESIN | POTTING ADHESIVE | 6 1 1 1 1 |
| GOLD PLATED | COPPER ALLOY | CONTACT | 5 2 3 4 5 |
| NICKEL PLATED | COPPER ALLOY | METAL NUT | 4 1 1 1 1 |
| BLACK | RUBBER | O-RING | 3 1 1 1 1 |
| NICKEL PLATED | COPPER ALLOY | M12, MALE, METAL BODY | 2 1 1 1 1 |
| - | PA66 | M12, MALE HSG | 1 1 1 1 1 |

THIS DRAWING IS A CONTROLLED DOCUMENT. DWN BO GAO 29-Jan-16
 CHK KOBBY ZHAO
 APVD XIANG XU
 PRODUCT SPEC 108-106140
 APPLICATION SPEC 114-137144

STE TE Connectivity

NAME M12 PANEL MOUNT CONNECTOR
 A CODE, MALE, FRONT MOUNTING
 WIRE SOLDERING

SIZE A2 CAGE CODE - DRAWING NO. G-T41320120X1000 RESTRICTED TO -
 MATERIAL - FINISH - WEIGHT - CUSTOMER DRAWING SCALE 3:1 SHEET 1 OF 1 REV C