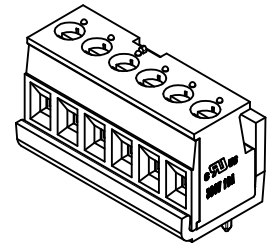
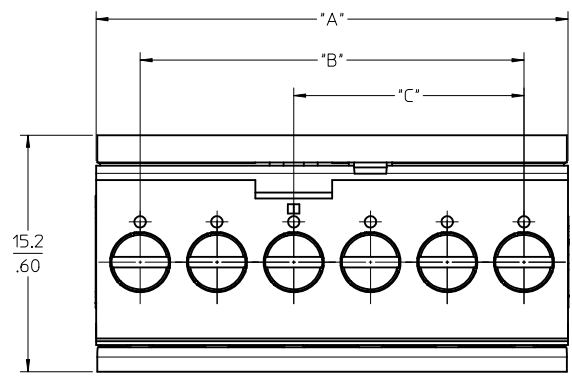
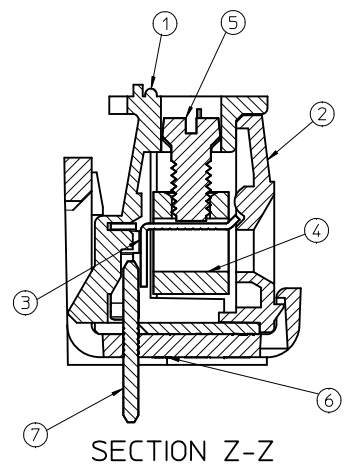


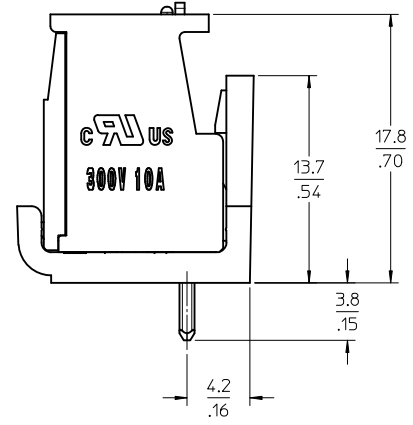
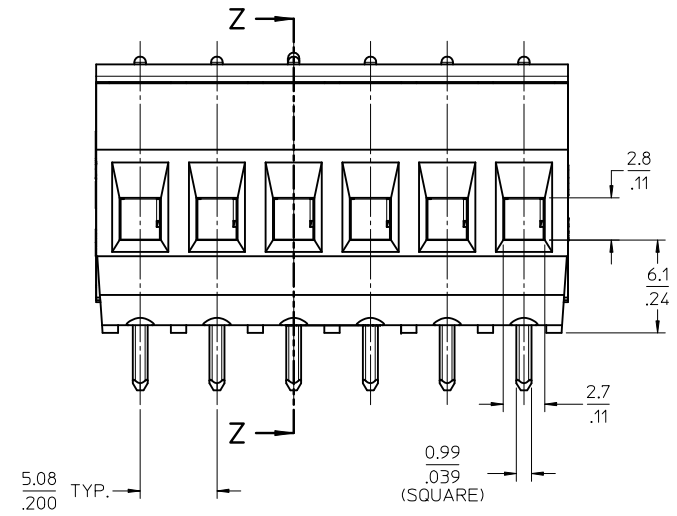
ASSEMBLY MATERIAL NUMBER	NUMBER OF CIRCUITS 'XX'	DIM 'A'		DIM 'B'		DIM 'C'	
		mm	in	mm	in	mm	in
399890009	07	36.3	1.43	30.5	1.20	15.2	.60
399890010	12	61.7	2.43	55.9	2.20	30.5	1.20
399890002	14	71.9	2.83	66.0	2.60	35.6	1.40
399890011	18	92.2	3.63	86.4	3.40	45.7	1.80
399890023	09	46.5	1.83	40.6	1.60	20.3	.80



AUX. VIEW
SCALE 2:1



SECTION Z-Z



- NOTES:
1. MATERIAL: SEE TABLE
 2. FINISHES: SEE TABLE
 3. HEADER MATERIAL CTI = 600V, PLC = 0
 4. "XX" REFERS TO THE QUANTITY OF CIRCUITS.
 5. ASSEMBLY IS ROHS COMPLIANT BY EXEMPTION. COMPONENTS MARKED WITH AN ASTERISK (*) ARE ROHS COMPLIANT BY EXEMPTION, ALL OTHERS ARE ROHS COMPLIANT.

ITEM	QTY.	DESCRIPTION	MATERIAL	FINISH
7	XX	PIN, HEADER	BRASS	TIN PLATE
6	1	BODY, 5.08mm HEADER, SINGLE ROW, SEE NOTE 3	NYLON 66, GLASS FILLED	BLACK
5	XX	SCREW, M3X0.5 CHS, SLOTTED	STEEL	ZN, CLEAR CHROMATE
4	XX	CAGE, RISING (*)	BRASS	NICKEL PLATE
3	XX	TERMINAL, PLUG	PHOS. BRONZE	HOT TIN DIP
2	1	COVER, 5.08mm PLUG, SINGLE ROW	NYLON 66, GLASS FILLED	BLACK
1	1	BODY, 5.08mm PLUG, SINGLE ROW	NYLON 66, GLASS FILLED	BLACK

ADD 9C P/N	EC NO: WNA2011-0403	2011/02/08
DRWR:RSTONE	CHKD:D. TITUS	2011/02/11
APPR:DTITUS		2011/02/18

QUALITY SYMBOLS	GENERAL TOLERANCES (UNLESS SPECIFIED)	
	mm	INCH
▽=0	4 PLACES ± .005	± .005
▽=0	3 PLACES ± .010	± .010
	2 PLACES ± 0.13	± .01
	1 PLACE ± 0.25	± .01
	ANGULAR ± 2°	

DIMENSION STYLE		SCALE	DESIGN UNITS	THIRD ANGLE PROJECTION
MM/IN		4:1	INCH	☉

DRAWN BY C. YORK		DATE 2007/08/03		TITLE 5.08/.200 SINGLE ROW PLUG AND HEADER ASSY, 2 PIECE PLUG HOUSING
CHECKED BY J. MACNEIL		DATE 2007/08/03		
APPROVED BY J. MACNEIL		DATE 2007/08/03		
MATERIAL NO.		DOCUMENT NO.		SHEET NO.
SEE CHART		SD-39989-011		1 OF 1

THIS DRAWING CONTAINS INFORMATION THAT IS PROPRIETARY TO MOLEX INCORPORATED AND SHOULD NOT BE USED WITHOUT WRITTEN PERMISSION