

ITEM NO.	FORM	WIRE GAGE	RANGE OF INSULATION DIA.	DIM. "A"	DIM. "B"	DIM. "C"	DIM. "D"	DIM. "E"	DIM. "F"	DIM. "G"	DIM. "H"	DIM. "I"	FINISH (SEE NOTE 2)	
46012-3151	CHAIN	16	.122 (3.10) MAX	8.31/(.327)	20.09/(.791)	8.6/(.339)							FINISH 1 - BRIGHT TIN OVER NICKEL	
46012-3152	LOOSE													
46012-3251	CHAIN													FINISH 2 - SEL. GOLD AND SEL. TIN OVER NICKEL
46012-3252	LOOSE													
46012-3161	CHAIN			6.51/(.256)	18.29/(.720)	6.8/(.268)	.091 (2.30)	.106 (2.70)	.024 (0.60)	.142 (3.60)	.177 (4.50)	.035 (0.90)	FINISH 1 - BRIGHT TIN OVER NICKEL	
46012-1161	CHAIN	18-20	.051-.122 (1.30-3.10)	6.51/(.256)	18.29/(.720)	6.8/(.268)	.075 (1.90)	.091 (2.30)	.020 (0.50)	.142 (3.60)	.177 (4.50)	.035 (0.90)	FINISH 1 - BRIGHT TIN OVER NICKEL	
46012-1261	CHAIN	18-20	.051-.122 (1.30-3.10)	6.51/(.256)	18.29/(.720)	6.8/(.268)	.075 (1.90)	.091 (2.30)	.020 (0.50)	.142 (3.60)	.177 (4.50)	.035 (0.90)	FINISH 2 - SEL. GOLD AND SEL. TIN OVER NICKEL	

PART LEGEND:

46012 - * * * *

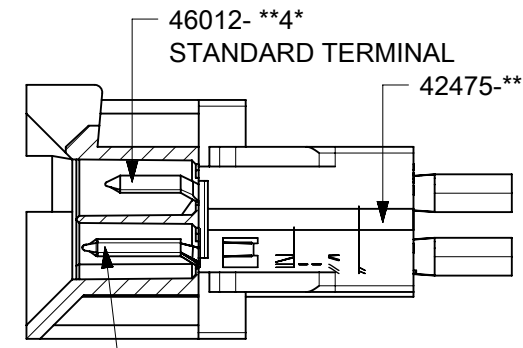
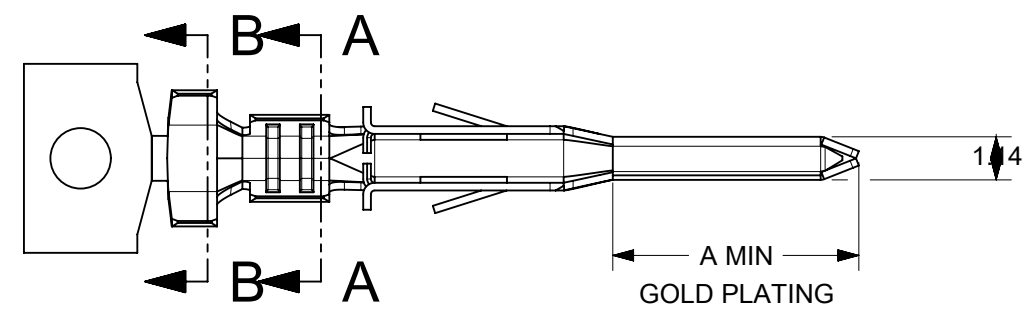
BASE NO. _____

WIRE GAGE _____
3 = 16

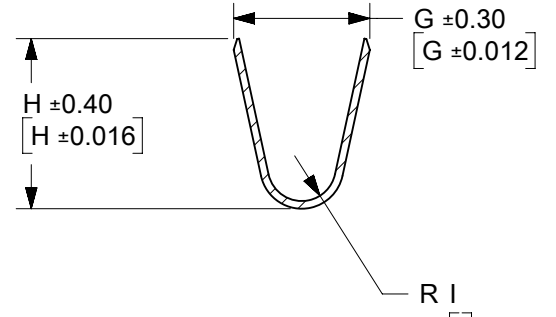
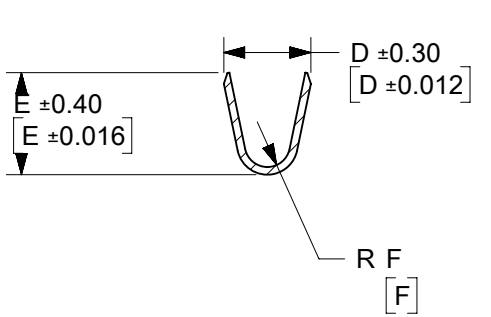
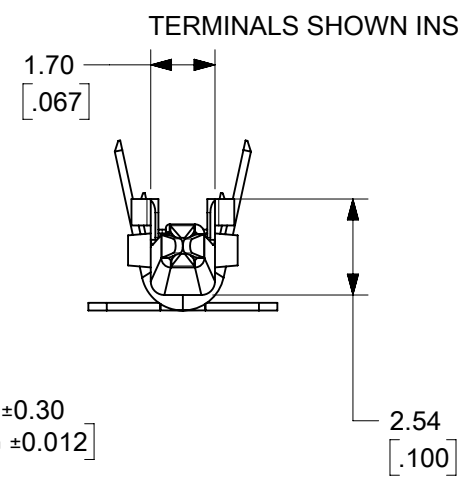
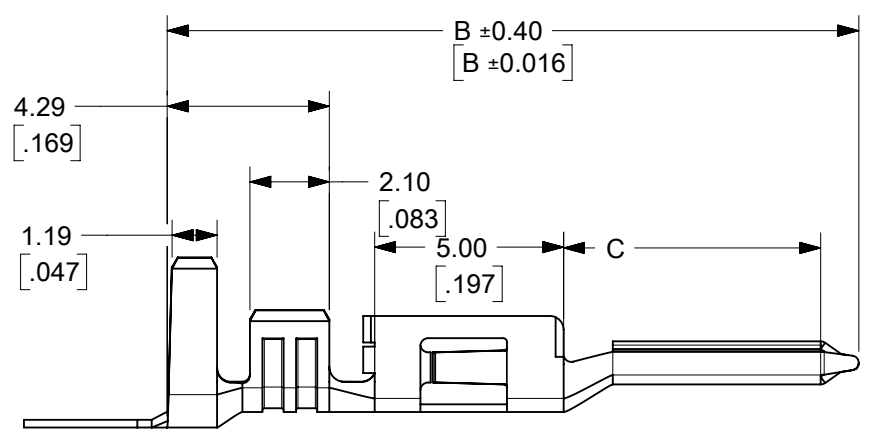
PLATING _____
1 = TIN 154
2 = GOLD 228

MATERIAL & TERMINAL TYPE _____
5 = C7026 ALLOY, 3.0MM LONG LENGTH
6 = C7026 ALLOY, 1.5MM LONG LENGTH

CHAIN OR LOOSE _____
1 = CHAIN
2 = LOOSE



- NOTES: 1. MATERIAL: COPPER ALLOY
2. FINISH:
1 = 0.00254/(.000100) MIN. BRIGH TIN OVER 0.00127/(.000050) MIN NICKEL OVERALL.
2 = 0.00076/(.000030) MIN SELECT GOLD IN CONTACT AREA AND 0.00127/(.000050) MIN SELECT MATTE TIN CRIMP AREA OVER 0.00127/(.000050) MIN NICKEL OVERALL.
GOLD PLATING RECOMMENDED FOR APPLICATIONS WHERE FRETTING CORROSION IS A CONCERN.
3. PRODUCT SPECIFICATION : PS-45750-001
4. PACKAGING SPECIFICATION: PK-46012-002 FOR CHAIN TERMINALS (46012-3xxx).
PK-46012-001 FOR CHAIN TERMINALS (46012-1xxx).
PK-5556-003 FOR LOOSE TERMINALS.
5. 46012-**-5* TERMINAL MATES WITH FEMALE TERMINAL SERIES 45750 AND CAN BE USED WITH MOLEX PLUG HOUSING 5559 AND 30068 . TIP OF TERMINAL EXTENDS CLOSER TO HOUSING MATING FACE. SEE VIEW BELOW FOR TERMINAL POSITIONS. THIS TERMINAL CANNOT BE USED WITH 42475 OR 43588 OR 42475-***1 OR 42475-***2 HOUSINGS
6. 46012-**-6* TERMINAL MATES WITH FEMALE TERMINAL SERIES 45750 AND CAN BE USED WITH MOLEX PLUG HOUSING 5559 AND 30068 AND 42475-***3 . TIP OF TERMINAL EXTENDS CLOSER TO HOUSING MATING FACE. SEE VIEW BELOW FOR TERMINAL POSITIONS. THIS TERMINAL CANNOT BE USED WITH 42475 OR 43588 HOUSINGS
7. THIS TERMINAL IS DESIGNED FOR SINGLE WIRE CRIMPING.
8. WHEN TERMINALS ARE INSTALLED IN THE HOUSING, THE WIRES ARE TO BE DRESSED IN SUCH A MANNER TO ALLOW THE TERMINALS TO FLOAT FREELY IN THE POCKETS.



THIS DRAWING CONTAINS INFORMATION THAT IS PROPRIETARY TO MOLEX ELECTRONIC TECHNOLOGIES, LLC AND SHOULD NOT BE USED WITHOUT WRITTEN PERMISSION									
DIMENSION UNITS		SCALE		CURRENT REV DESC:					
mm		NTS		EC NO: 727786					
GENERAL TOLERANCES (UNLESS SPECIFIED)				DRWN: JERRYW8		2022/11/09			
ANGULAR TOL ± 0.5°				CHKD: XQZHANG		2022/11/09			
4 PLACES ±				APPR: XQZHANG		2022/11/09			
3 PLACES ±				INITIAL REVISION:		2014/03/26			
2 PLACES ± 0.25				DRWN: JBELL		2014/05/16			
1 PLACE ± 0.38				APPR: FSMITH		2014/05/16			
0 PLACES ±				DRAFT WHERE APPLICABLE MUST REMAIN WITHIN DIMENSIONS		THIRD ANGLE PROJECTION		DRAWING	
SERIES		MATERIAL NUMBER		CUSTOMER		DOCUMENT NUMBER		DOC TYPE	
46012		SEE NOTES		GENERAL MARKET		SD-46012-002		PSD	
SHEET NUMBER		REVISION		DOC PART		DOC TYPE		DOC PART	
1 OF 1		A4		001		PSD		A4	