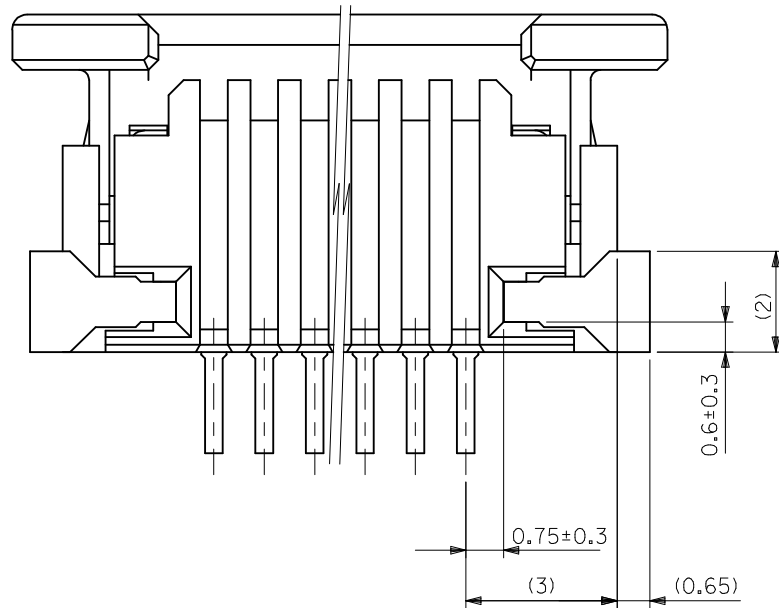


35	31.2	29	52271-3017	30
31	27.2	25	-2617	26
29	25.2	23	-2417	24
28	24.2	22	-2317	23
23	19.2	17	-1817	18
22	18.2	16	-1717	17
20	16.2	14	-1517	15
18	14.2	12	-1317	13
16	12.2	10	-1117	11
15	11.2	9	-1017	10
14	10.2	8	-0917	9
13	9.2	7	-0817	8
10	6.2	4	-0517	5
9	5.2	3	52271-0417	4
C	B	A	ENG. NO.	種数 CKT.

- 注記 NOTES**
- △ 接点部までの嵌合長さ。 LENGTH TO CONTACT POINT.
 - △ FPC挿入深さ。 INSERTION DEPTH OF FPC
 - △ パターン書き込み禁止エリア。 NO FOOT PRINT AREA.
- 2. 使用材料 MATERIAL**
- ハウジング : 46ナイロン, UL94V-0
 - ハウジング HOUSING : 46NYLON, UL94V-0
 - アクチュエータ : PPS, UL94V-0
 - アクチュエータ ACTUATOR : PPS, UL94V-0
 - ターミナル : リン青銅 (t=0.25)
 - ターミナル TERMINAL : リン青銅 (t=0.25)
 - メッキ : Sn-Pb(9:1), 下地Cu
 - メッキ PLATING : Sn-Pb(9:1), Cu(UNDER PLATING)
 - 金具 : 銅合金 (t=0.25)
 - 金具 FITTING NAIL : COPPER ALLOY (t=0.25)
 - メッキ : Sn-Pb(9:1), 下地Cu
 - メッキ PLATING : Sn-Pb(9:1), Cu(UNDER PLATING)
- 3. パターンはくり止め用金具**
FITTING NAIL FOR PREVENTION OF PEELING OF P.C.B.PATTERN.
- 4. エンボステープ梱包時は、アクチュエータがロックした状態とする。**
WHEN CONNECTOR IS SHIPPED, ACTUATOR SHOULD BE LOCKED.

REVISED EC NO: J2015-0013 DRWN: AOKAJIMA 2014/07/03 CHKD: YKOBAYASHI 02/2014/07/03 APPR: YNOGAWA 2014/07/17	DESCRIPTION	GENERAL TOLERANCES (UNLESS SPECIFIED)		DIMENSION STYLE MM ONLY		SCALE ---	DESIGN UNITS METRIC	THIRD ANGLE PROJECTION	
		10 UNDER ±0.2	10 OVER 30 UNDER ±0.25	30 OVER ±0.3	DRAWN BY TNIITSU	DATE 1996/10/15	TITLE 1.0 FPC CONN ZIF SMT (BOTTOM CONTACT)	molex	
W	REV	ANGULAR ±3 °		MATERIAL NO. SEE CHART		DOCUMENT NO. SD-52271-042		SHEET NO. 1 OF 2	
		DRAFT WHERE APPLICABLE MUST REMAIN WITHIN DIMENSIONS		SIZE A3		THIS DRAWING CONTAINS INFORMATION THAT IS PROPRIETARY TO MOLEX INCORPORATED AND SHOULD NOT BE USED WITHOUT WRITTEN PERMISSION			

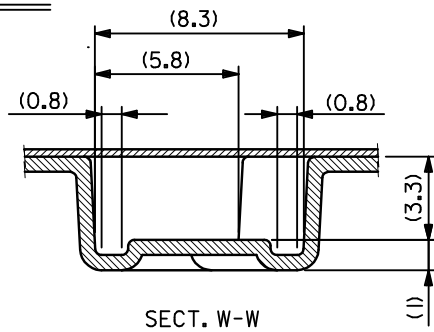
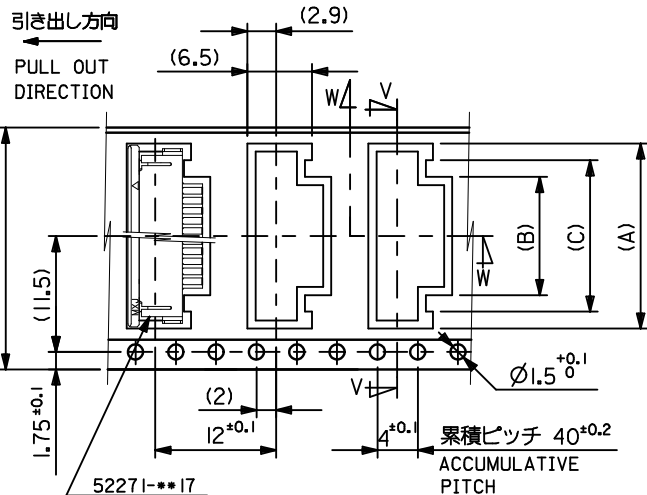
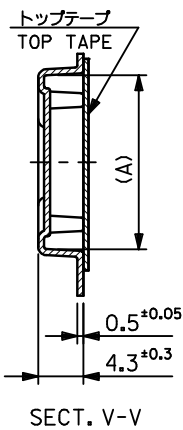
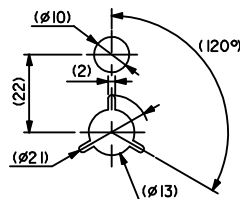
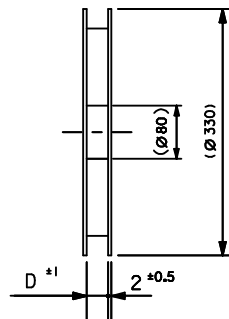
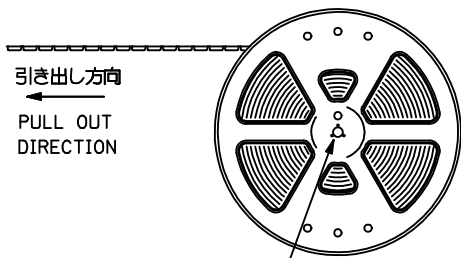
10 9 8 7 6 5 4 3 2 1



下面図

SEE SHEET 1 OF 2 EC NO: J2015-0013 DRWN: AOKA J IMA 2014/07/03 CH'KD: YKOBAYASHI 022014/07/03 APPR: YNOGAWA 2014/07/17	GENERAL TOLERANCES (UNLESS SPECIFIED)		DIMENSION STYLE MM ONLY	SCALE ---	DESIGN UNITS METRIC	THIRD ANGLE PROJECTION
	10 UNDER	±0.2	DRAWN BY TNIITSU	DATE 1996/10/15	TITLE 1.0 FPC CONN ZIF SMT (BOTTOM CONTACT)	
	10 OVER 30 UNDER	±0.25	CHECKED BY MFUKUSHIMA	DATE 1997/07/14		
	30 OVER	±0.3	APPROVED BY MFUKUSHIMA	DATE 1997/07/14	molex DOCUMENT NO. SD-52271-042 SHEET NO. 2 OF 2	
ANGULAR ±3 °		MATERIAL NO. SEE SHEET 1 OF 2				
DRAFT WHERE APPLICABLE MUST REMAIN WITHIN DIMENSIONS		THIS DRAWING CONTAINS INFORMATION THAT IS PROPRIETARY TO MOLEX INCORPORATED AND SHOULD NOT BE USED WITHOUT WRITTEN PERMISSION				

9 8 7 6 5 4 3 2

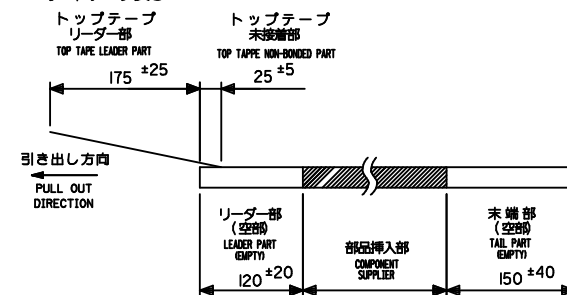


NOTES

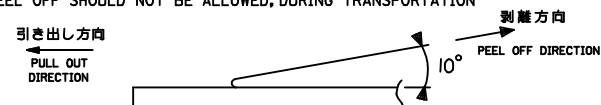
1. 製品番号 52271-***17 の梱包状態はアクチュエータがロックした状態とする。
詳細寸法については 図面 SD-52271-042 を参照下さい。
IN THE PACKAGE, ACTUATOR OF PART NO. 52271-***17 SHOULD BE LOCKED
RE DETAILED DIMENSIONS, SEE SD-52271-042

2. 梱包数量: 1000個/リール
NUMBER OF CONNECTORS: 1000 PCS/REEL

3. リードテープ長さ LEAD TAPE LENGTH



4. トップテープの剥離強度: 60gf MAX. (剥離方向は下図参照)
尚、本規格値は、出荷時に適用。(但し、輸送時に剥離が発生しない事。)
PEELING OFF FORCE OF TOP TAPE: 60gf MAX.
(PEELING DIRECTION AS SHOWN IN FOLLOWING FIG.)
THIS REQUIREMENT SHOULD BE APPLIED AT SHIPMENT
PEEL OFF SHOULD NOT BE ALLOWED, DURING TRANSPORTATION

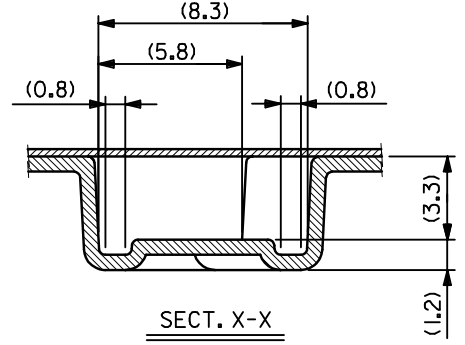
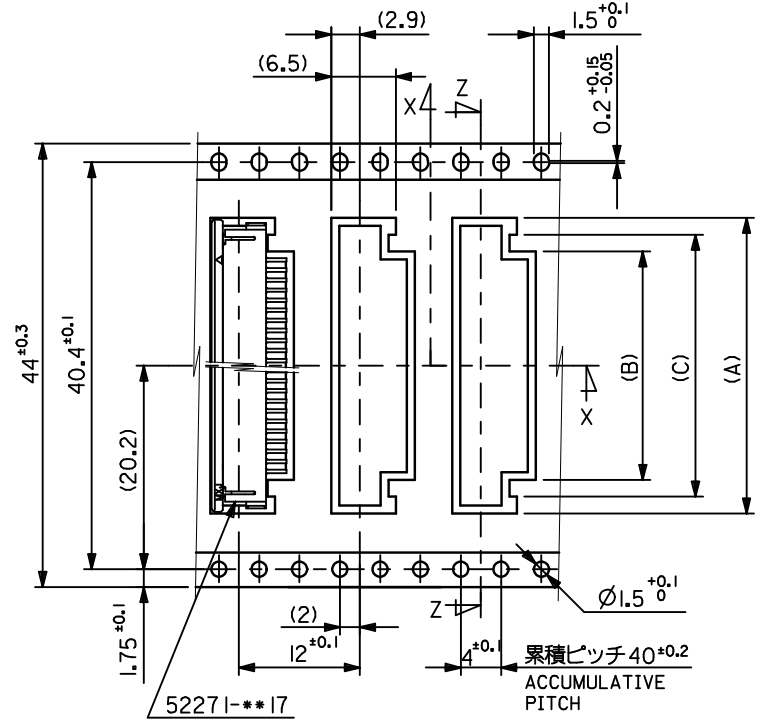
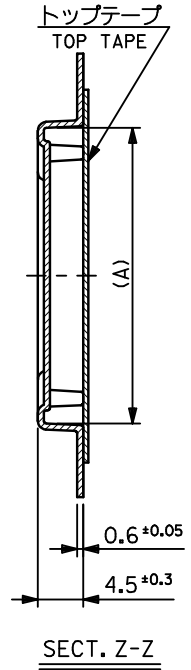
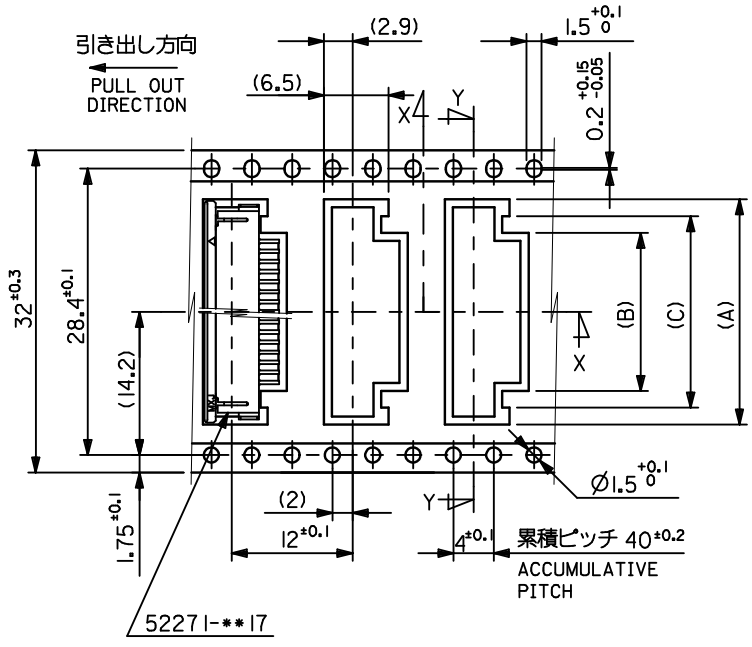
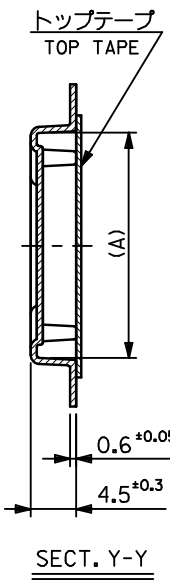


5. 材料 (MATERIAL)
キャリアテープ (CARRIER TAPE): ポリプロピレン (POLYPROPYLENE)
トップテープ (TOP TAPE): PET, PE, PEF
リール (REEL): ポリスチレン (PS) <リサイクル材を含む>
POLYSTYREN (PS) <RECYCLE MATERIAL CONTAINED>

24	25.5	15	11.4	18.3	52271-1190	11
		14	10.4	17.3	-1090	10
		13	9.4	16.3	-0990	9
		12	8.4	15.3	-0890	8
		9	5.4	12.3	-0590	5
		8	4.4	11.3	52271-0490	4
キャリアテープ幅 CARRIER TAPE WIDTH	D	(C)	(B)	(A)	MATERIAL NO.	極数 CKT.

REVISED EC NO: J2015-0013 DRAWN: AOKAJIMA 2014/07/03 CHKD: YKOBAYASHI 02/2014/07/03 APPR: YNOGAWA 2014/07/17	GENERAL TOLERANCES (UNLESS SPECIFIED)		DIMENSION STYLE MM ONLY		SCALE ---		DESIGN UNITS METRIC		THIRD ANGLE PROJECTION	
	10 UNDER	±0.2	DRAWN BY	DATE	TITLE					
	10 OVER 30 UNDER	±0.25	STADOKORO	1988/09/29	EMBOSSED TAPE PACKAGE FOR 52271-***17					
	30 OVER	±0.3	CHECKED BY	DATE						
ANGULAR	±3 °	SKUNISHI	2000/12/20							
DRAFT WHERE APPLICABLE MUST REMAIN WITHIN DIMENSIONS		APPROVED BY	DATE							
REV	DESCRIPTION	MATERIAL NO.		SEE CHART		SD-52271-043		1 OF 3		
		SIZE A3		THIS DRAWING CONTAINS INFORMATION THAT IS PROPRIETARY TO MOLEX INCORPORATED AND SHOULD NOT BE USED WITHOUT WRITTEN PERMISSION						

10 9 8 7 6 5 4 3 2 1

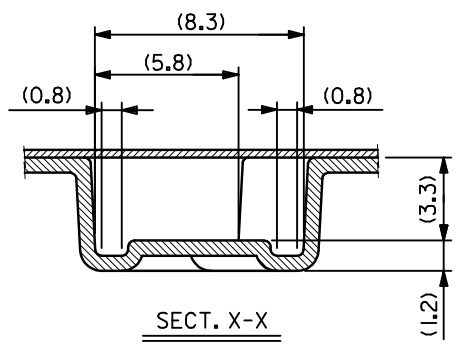
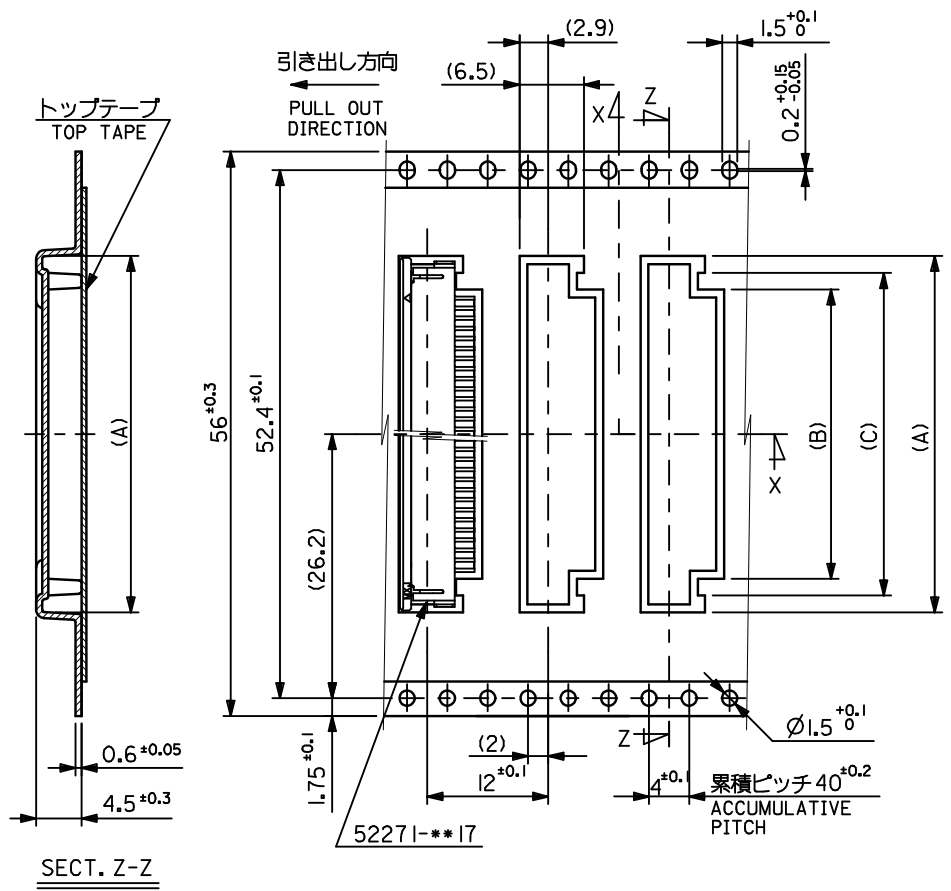


44	45.5	30	26.4	33.35	52271-2690	26
		28	24.4	31.35	-2490	24
		27	23.4	30.35	-2390	23
		22	18.4	25.35	-1890	18
		21	17.4	24.35	-1790	17
32	33.5	19	15.4	22.35	-1590	15
		17	13.4	20.35	52271-1390	13
		(C)	(B)	(A)	MATERIAL NO.	種数 CKT.

キャリアテープ幅
CARRIER TAPE WIDTH D (C) (B) (A) MATERIAL NO. 種数
Rev G 2012/01/25

REVISED EC NO.: J2015-0013 DRWN: AOKAJIMA 2014/07/03 CHKD: YKOBAYASHI 022014/07/03 APPR: YNOGAWA 2014/07/17	GENERAL TOLERANCES (UNLESS SPECIFIED)	DIMENSION STYLE MM ONLY	SCALE ---	DESIGN UNITS METRIC	THIRD ANGLE PROJECTION
	10 UNDER ±0.2	DRAWN BY STADOKORO	DATE 1988/09/29	TITLE EMBOSSED TAPE PACKAGE FOR 52271-**17	
	10 OVER 30 UNDER ±0.25	CHECKED BY SKUNISHI	DATE 2000/12/20	APPROVED BY MFUKUSHIMA 2000/12/20	
	30 OVER ±0.3	MATERIAL NO. SEE CHART		DOCUMENT NO. SD-52271-043	SHEET NO. 2 OF 3
ANGULAR ±3 °	THIS DRAWING CONTAINS INFORMATION THAT IS PROPRIETARY TO MOLEX INCORPORATED AND SHOULD NOT BE USED WITHOUT WRITTEN PERMISSION				
DRAFT WHERE APPLICABLE MUST REMAIN WITHIN DIMENSIONS					

9 8 7 6 5 4 3 2 1



REVISED	EC NO: J2015-0013	2014/07/03
	DRWN: AOKAJIMA	2014/07/03
	CHKD: YKOBAYASHI	2014/07/03
	APPR: YNOGAWA	2014/07/17
DESCRIPTION	GENERAL TOLERANCES (UNLESS SPECIFIED)	
REV	10 UNDER	±0.2
	10 OVER 30 UNDER	±0.25
	30 OVER	±0.3
	ANGULAR	±3 °
	DRAFT WHERE APPLICABLE MUST REMAIN WITHIN DIMENSIONS	

56	57.5	34	30.4	37.35	52271-3090	30
キャリアテープ幅 CARRIER TAPE WIDTH	D	(C)	(B)	(A)	MATERIAL NO.	種数 CKT.
DIMENSION STYLE MM ONLY		SCALE ---	DESIGN UNITS METRIC		THIRD ANGLE PROJECTION	
DRAWN BY STADOKORO	DATE 1988/09/29	TITLE EMBOSSD TAPE PAKEGE FOR 52271-**17				
CHECKED BY SKUNISHI	DATE 2000/12/20					
APPROVED BY MFUKUSHIMA	DATE 2000/12/20					
MATERIAL NO.	SEE CHART	DOCUMENT NO. SD-52271-043	SHEET NO. 3 OF 3			
THIS DRAWING CONTAINS INFORMATION THAT IS PROPRIETARY TO MOLEX INCORPORATED AND SHOULD NOT BE USED WITHOUT WRITTEN PERMISSION						