

THE INFORMATION CONTAINED HEREIN IS CONSIDERED "PROPRIETARY" TO BEL FUSE INC. AND SHALL NOT BE COPIED, REPRODUCED OR DISCLOSED WITHOUT THE WRITTEN APPROVAL OF BEL FUSE INC.

LED 2 & 4 POLARITY			LED 1 & 3 POLARITY		
PIN 13	PIN 14	COLOR	PIN 15	PIN 16	COLOR
+	-	YELLOW	+	-	YELLOW
-	+	GREEN	-	+	GREEN



**ELECTRICAL CHARACTERISTICS @ 25°C**

**TURNS RATIO**

TP1	1CT : 1CT	±2%
TP2	1CT : 1CT	±2%
TP3	1CT : 1CT	±2%
TP4	1CT : 1CT	±2%

**DCL @ 100kHz/100mVRMS**

FOR CHANNEL 1 AND CHANNEL 2

11mA DC BIAS 350µH MIN.

Compliant to IEEE 802.3at specification

FOR CHANNEL 3 AND CHANNEL 4

8mA DC BIAS 350µH MIN.

**INS. LOSS**

0.1MHz TO 1MHz	-1.1 dB MAX
1MHz TO 65MHz	-0.5 dB MAX
65MHz TO 100MHz	-0.8 dB MAX
100MHz TO 125MHz	-1.2 dB MAX

**RET. LOSS (MIN) @ 100DHMS ±15%**

0.5MHz-40MHz	-18 dB
40MHz-100MHz	-12+20LOG<f/80MHz> dB

**CM TO CM REJ**

100kHz - 100MHz -30 dB MIN

**CM TO DM REJ**

100kHz - 100MHz -35 dB MIN

HIPOT (Isolation Voltage): 2250 VDC

100% OF PRODUCTION TESTED TO COMPLY WITH

IEEE 802.3 ISOLATION REQUIREMENTS.

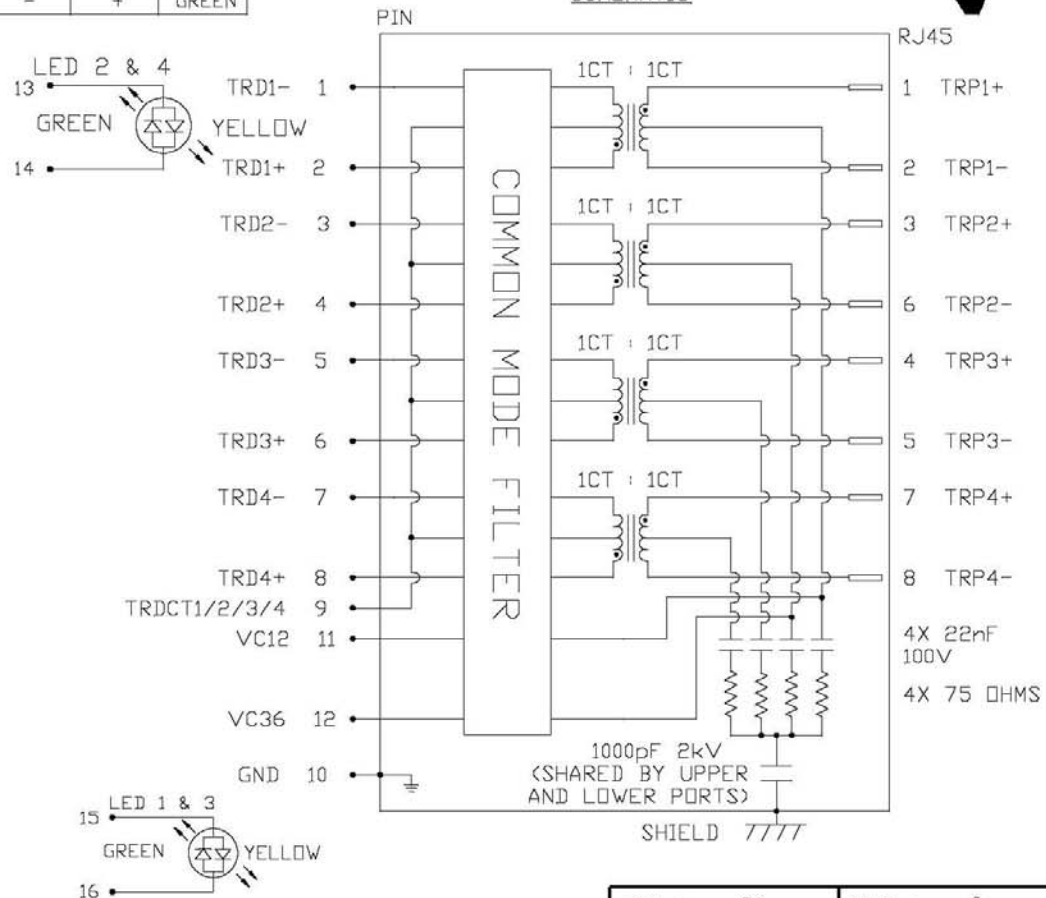
BALANCED DC LINE CURRENT 600mA MAX, CONTINUOUS

1.2A MAX, FOR 200 MILLISECONDS

**LED 1 & 2 & 3 & 4**

V <sub>F</sub> (FORWARD VOLTAGE)	IF=20mA	GREEN	2.2V TYP.
		YELLOW	2.1V TYP.
λ <sub>D</sub> (DOMINANT WAVELENGTH)	IF=20mA	GREEN	570nm TYP.
		YELLOW	590nm TYP.

OPERATING TEMPERATURE -40°C TO +85°C



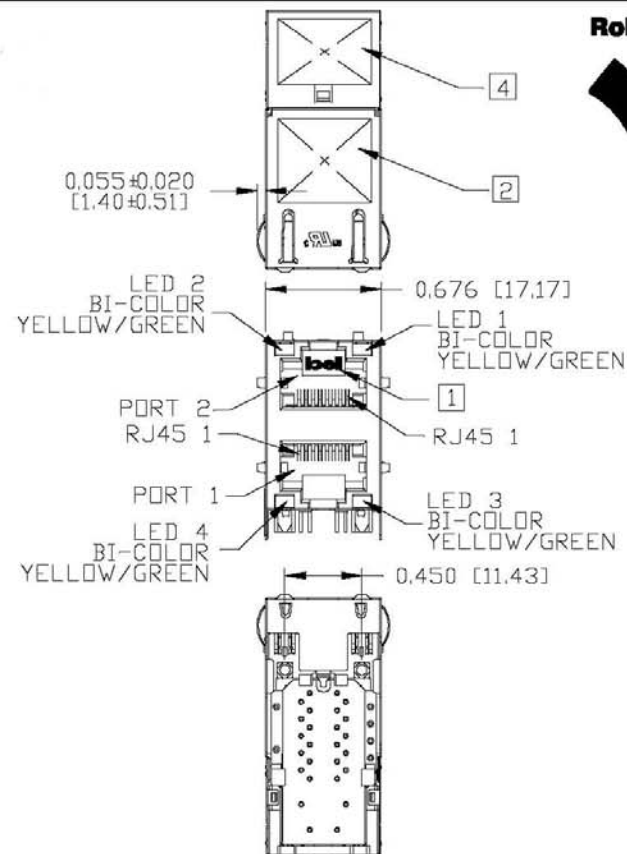
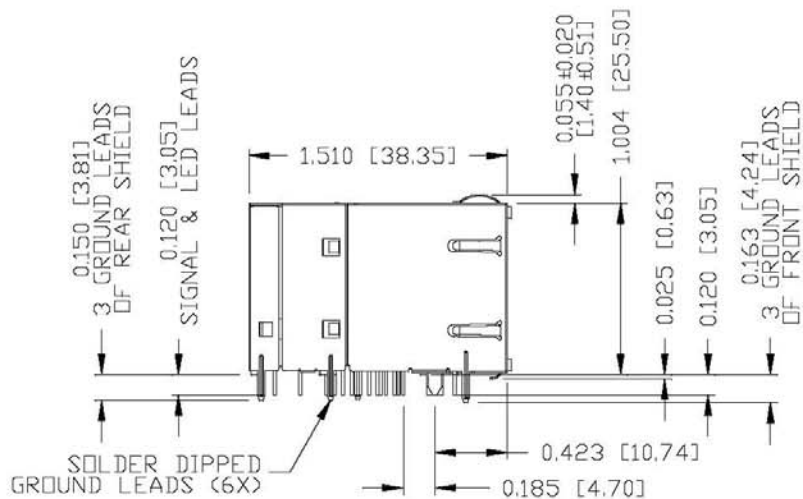
ORIGINATED BY <b>CHOW WANCHUNG</b> DATE 2018-10-26	TITLE <b>2X1 glgabit MagJack®          PoEp          PATENTED</b>	PART NO. / DRAWING NO. <b>0895-2C1R-GK</b>	STANDARD DIM. TOL. IN INCH .X .XX .XXX	[ ] METRIC DIM. AS REF. UNIT : INCH [mm] SCALE : N/A SIZE : A4	REV. : PA PAGE : 2
DRAWN BY <b>XIE YIMING</b> DATE 2018-10-26		FILE NAME <b>0895-2C1R-GK_PA.DWG</b>			

THE INFORMATION CONTAINED HEREIN IS CONSIDERED "PROPRIETARY" TO BEL FUSE INC. AND SHALL NOT BE COPIED, REPRODUCED OR DISCLOSED WITHOUT THE WRITTEN APPROVAL OF BEL FUSE INC.

RoHS



REMARK: CURRENTLY NO BACK COVER TOOL.



NOTES:

- PLASTIC HOUSING: THERMOPLASTIC PBT, BLACK. FLAMMABILITY RATING UL 94V-0.
- CONTACT PLATING: 50 MICRO-INCH HARD GOLD PLATING OR EQUIVALENT.
- OUTPUT PINS: TIN-COATED COPPER WIRE, DIA 0.018 INCH. 100 MICRO-INCH MIN MATTE TIN. PINS ARE SOLDER DIPPED.
- METAL SHIELD: NICKEL PLATED ON COPPER ALLOY. (ALL GROUND LEADS ARE SOLDER DIPPED)

1. JACK CAVITY CONFORMS TO FCC RULES AND REGULATIONS, PART 68 SUBPART F.
2. MARK PART WITH MFG LOGO, MFG NAME, PART NUMBER AND DATE CODE.
3. THE PRODUCT IS RoHS COMPLIANT.
4. THE PRODUCT IS PATENTED. "PATENTED" MARKING IS ON THE TOP SURFACE. THE PATENT NUMBER ARE U.S. PAT. 6,840,817 AND U.S. PAT. 7,123,117.

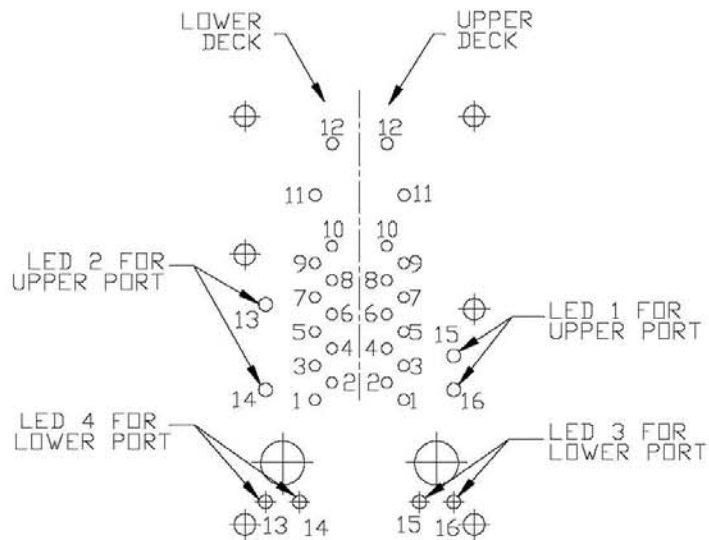
5. REVERSED POLARITY OF GENERAL 'C' LED.
6. THE PART IS RECOMMENDED FOR WAVE SOLDERING. THE SUGGESTED PEAK WAVE SOLDERING CONDITION IS 260°C MAX AND 10 SECONDS MAX.

**UL** RECOGNIZED - FILE #E196366 AND E169987.

ORIGINATED BY LI QUANKUN DATE 2018-10-26		TITLE 2X1 gigabit MagJack® PoEp PATENTED	PART NO. / DRAWING NO. 0895-2C1R-GK		STANDARD DIM. [ ] METRIC DIM. TOL. IN INCH AS REF.		REV. : PA	PAGE : 3
DRAWN BY LV YONGDONG DATE 2018-10-26			FILE NAME 0895-2C1R-GK_PA.DWG	.X	UNIT : INCH [mm]			
				.XX	SCALE : N/A			
			.XXX	±0.010	SIZE : A4			

THE INFORMATION CONTAINED HEREIN IS CONSIDERED "PROPRIETARY" TO BEL FUSE INC. AND SHALL NOT BE COPIED, REPRODUCED OR DISCLOSED WITHOUT THE WRITTEN APPROVAL OF BEL FUSE INC.

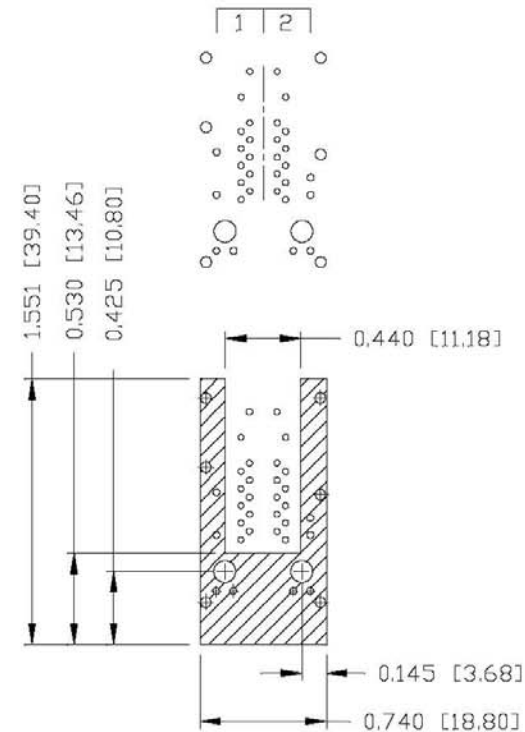
RoHS



PIN-OUT INFORMATION  
(COMPONENT SIDE VIEW)

10	GND		
9	TRDCT1/2/3/4		
8	TRD 4+		
7	TRD 4-		
6	TRD 3+	16	YEL(-) GRN(+)
5	TRD 3-	15	YEL(+) GRN(-)
4	TRD 2+	14	YEL(-) GRN(+)
3	TRD 2-	13	YEL(+) GRN(-)
2	TRD 1+	12	VC36
1	TRD 1-	11	VC12

PORT ASSIGNMENT  
(COMPONENT SIDE VIEW)



THE SHADED AREA ON THE CUSTOMER BOARD ARE RECOMMENDED TO BE CLEAR OFF ANY VIA HOLE OR COMPONENT PAD.

REV. : PA PAGE : 4

ORIGINATED BY  
LI QUANKUN  
DATE 2018-10-26

DRAWN BY  
LV YONGDONG  
DATE 2018-10-26

TITLE  
2X1 gigabit MagJack®  
PoEp  
PATENTED

PART NO. / DRAWING NO.  
0895-2C1R-GK

FILE NAME  
0895-2C1R-GK\_PA.DWG

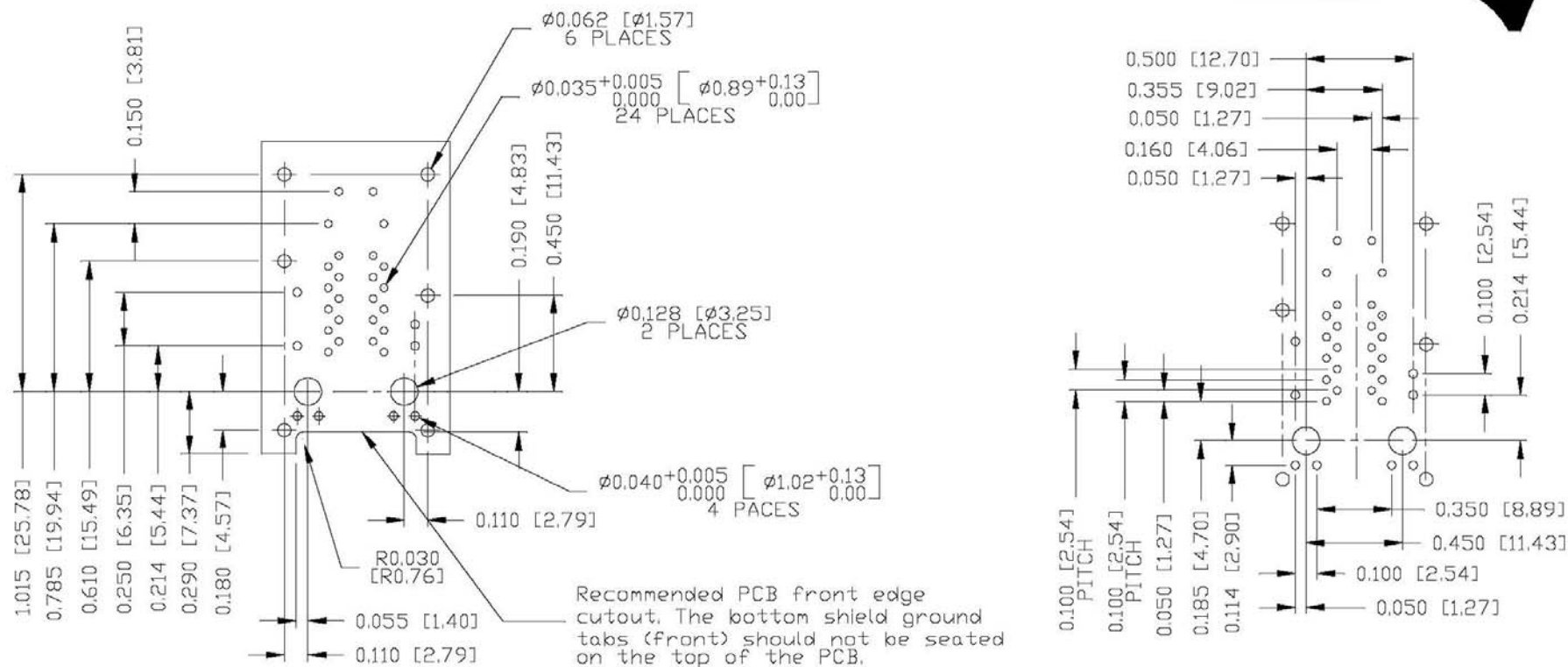
STANDARD DIM. [ ] METRIC DIM.  
TOL. IN INCH AS REF.

.X		UNIT : INCH [mm]
.XX		SCALE : N/A
.XXX	±0.004	SIZE : A4



THE INFORMATION CONTAINED HEREIN IS CONSIDERED "PROPRIETARY" TO BEL FUSE INC. AND SHALL NOT BE COPIED, REPRODUCED OR DISCLOSED WITHOUT THE WRITTEN APPROVAL OF BEL FUSE INC.

RoHS



SUGGESTED FOOTPRINT  
(COMPONENT SIDE VIEW)

ORIGINATED BY  
LI QUANKUN  
DATE 2018-10-26

DRAWN BY  
LV YONGDONG  
DATE 2018-10-26

TITLE  
2X1 gigabit MagJack®  
PoEp  
PATENTED

PART NO. / DRAWING NO.  
0895-2C1R-GK

FILE NAME  
0895-2C1R-GK\_PA.DWG

STANDARD DIM. TOL. IN INCH	[ ] METRIC DIM. AS REF.
.X	UNIT : INCH [mm]
.XX	SCALE : N/A
.XXX ±0.004	SIZE : A4

REV. :	PA	PAGE :	5
--------	----	--------	---

bel MAGNETIC SOLUTIONS  
a bel group

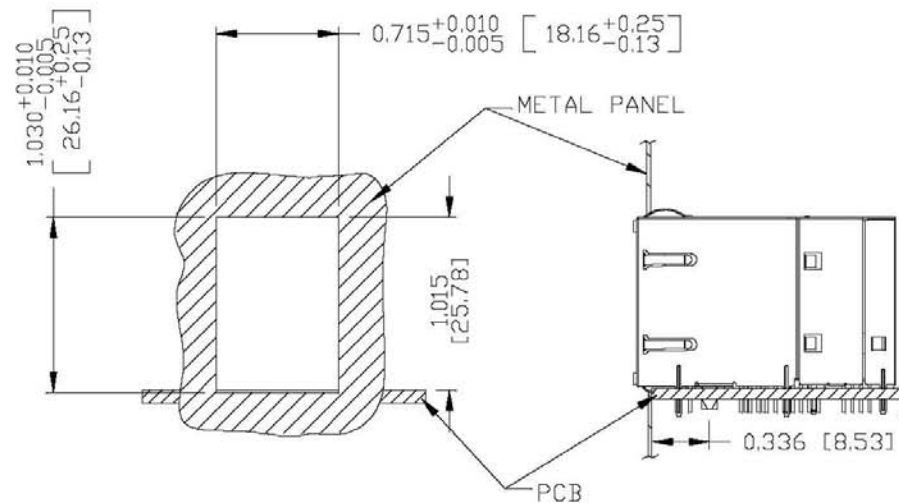


THE INFORMATION CONTAINED HEREIN IS CONSIDERED "PROPRIETARY" TO BEL FUSE INC. AND SHALL NOT BE COPIED, REPRODUCED OR DISCLOSED WITHOUT THE WRITTEN APPROVAL OF BEL FUSE INC.

RoHS



SUGGESTED PANEL OPENING



NOTE:

THE DISTANCE OF PANEL INSIDE SURFACE RELATIVE TO FRONT SURFACE OF PART IS ONLY A SUGGESTION. IN CASE THIS DISTANCE IS DIFFERENT, THE REQUIRED PANEL OPENING DIMENSIONS CHANGE ACCORDINGLY.

PACKING INFORMATION

PACKING TRAY : 0200M9999-P3 (TOP)  
0200M9999-P9 (BOTTOM)

PACKING QUANTITY : 18 PCS FINISHED GOODS PER TRAY  
9 TRAYS (162 PCS FINISHED GOODS) PER CARTON BOX

NOTE : CARDBOARDS ARE PLACED BETWEEN LAYERS OF PACKING TRAY INSIDE CARTON BOX  
(INCLUDE THE UPPERMOST AND LOWERMOST TRAY)

ORIGINATED BY  
LI QUANKUN  
DATE 2018-10-26  
DRAWN BY  
LV YONGDONG  
DATE 2018-10-26

TITLE  
2X1 gigabit MagJack®  
PoEp  
PATENTED

PART NO. / DRAWING NO.  
0895-2C1R-GK  
FILE NAME  
0895-2C1R-GK\_PA.DWG

STANDARD DIM. TOL. IN INCH	[ ] METRIC DIM. AS REF.
.X	UNIT : INCH [mm]
.XX	SCALE : N/A
.XXX ±0.005	SIZE : A4

REV. : PA PAGE : 6

