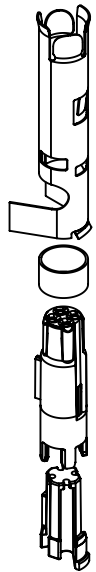
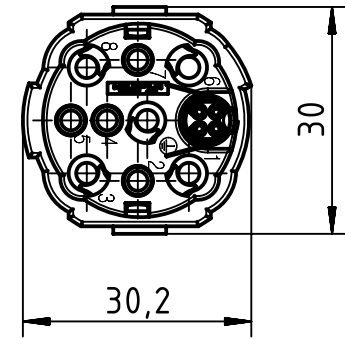
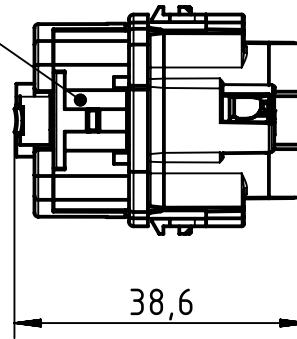


retaining clip
enclosed separately



	All Dimensions in mm Original Size DIN A4		Scale 1:1	Free size tol.		Ref.		
						Sub.		
	All rights reserved		Created by MOELLERLI	Inspected by FERDERERA	Standardisation TIEMANNA	Date 2018-07-09	State Final Release	
	Department EL PD		Title Han F+B Hybrid female				Doc-Key / ECM-Nr. 100789436/UGD/001/A 500000137375	
HARTING Electric GmbH & Co. KG D-32339 Espelkamp			Type TB	Number 09 15 512 3102			Rev. A	Page 1/1